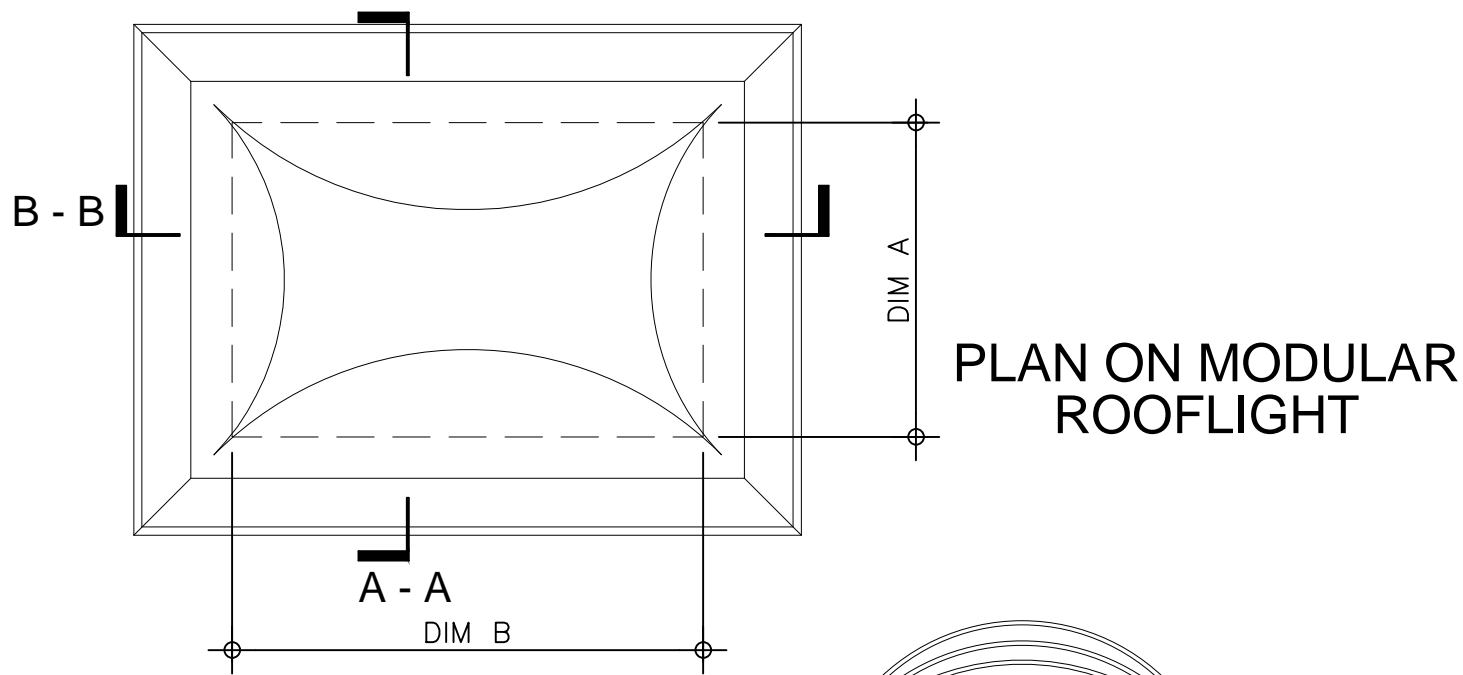


Kerb Specification:
 X2 kerb constructed from self finish white uPVC

Typical Glazing Specification:
 Outer - 3mm thick clear UV protected polycarbonate
 Mid - 2mm thick clear polycarbonate
 Inner - 3mm thick clear polycarbonate

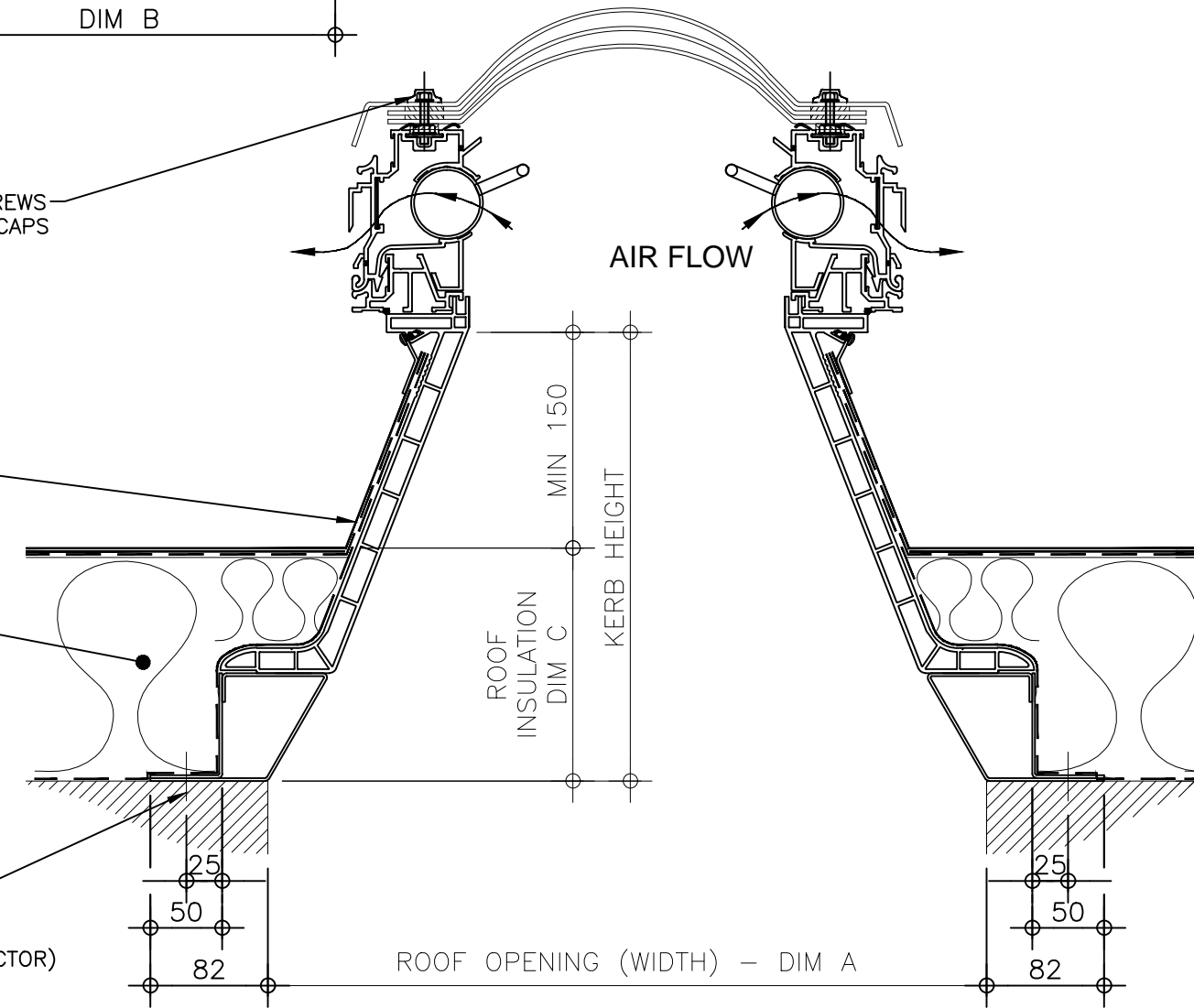


STANDARD SECURITY SCREWS COMPLETE WITH COVER CAPS

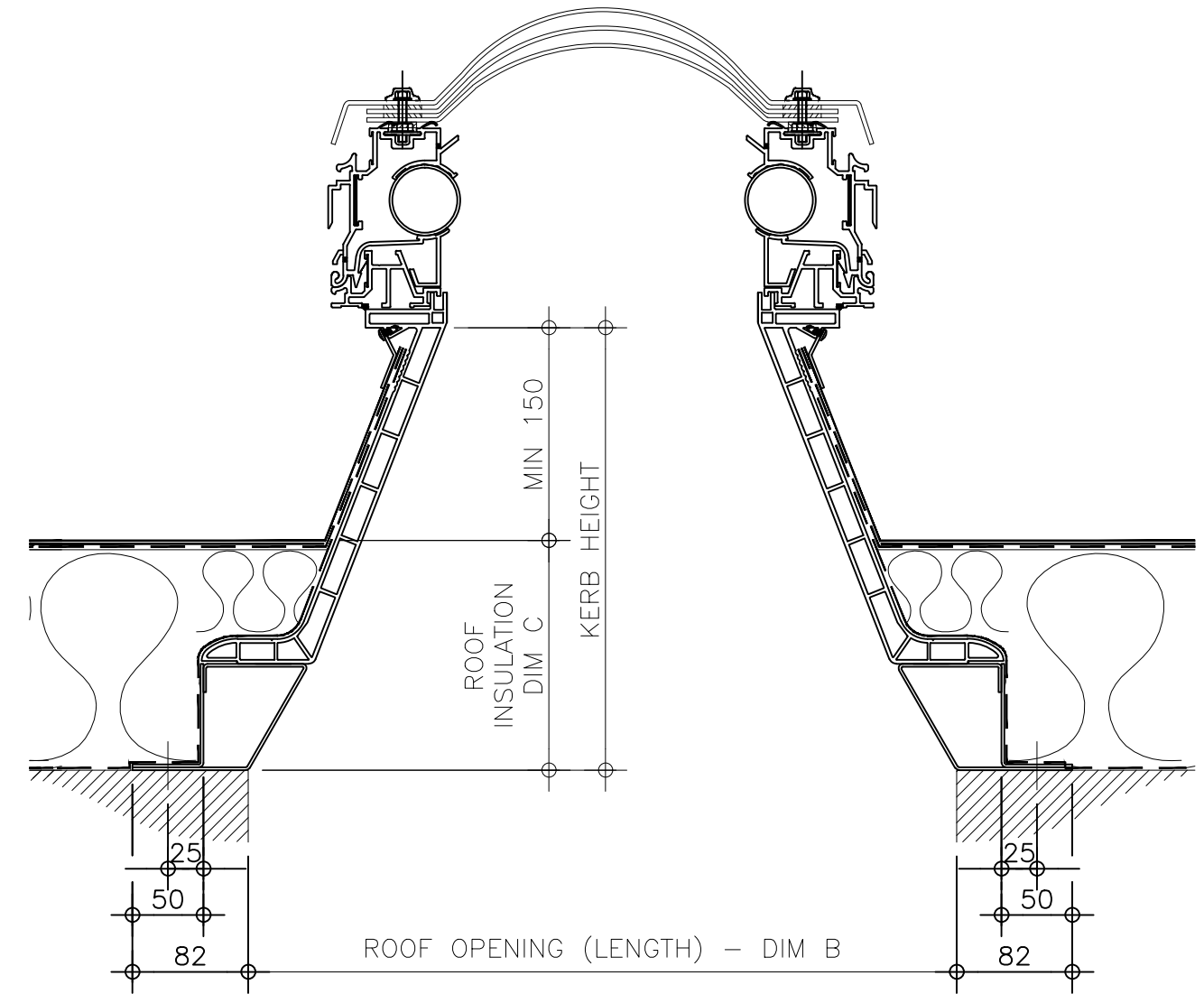
ROOF FINISHES DRESSED UP EXTERNAL FACE OF X2 KERB BY OTHERS

ROOF INSULATION BY OTHERS

FIXING POINT (FIXINGS DEPENDANT OF UPSTAND SUBSTRATE, TO BE DETERMINED BY CONTRACTOR)



AIR FLOW



REV:	DATE:	DESCRIPTION:	DRN BY	DESCRIPTION:
0	23.12.13	New modular drawings released	IW	Rotary ventilated uPVC upstand with flexible base kerb, fixed direct to roof with triple skin polycarbonate dome.
		DRAWN BY:	CREATION DATE:	CHECKED BY:
		IW	23-Dec-13	DL
		SCALE(S)		REVISION:
		1:5 @ A3		0
				Xtralite (Rooflights) Limited
				Spencer Road, Blyth Industrial Estate, Blyth, Northumberland, NE24 5TG
				T:01670 354 157 F:01670 364 875 E:sales@xtralite.co.uk W:www.xtralite.co.uk

Xtralite
ROOFLIGHTS

DRG No.
 XT-X1-A-02-SS