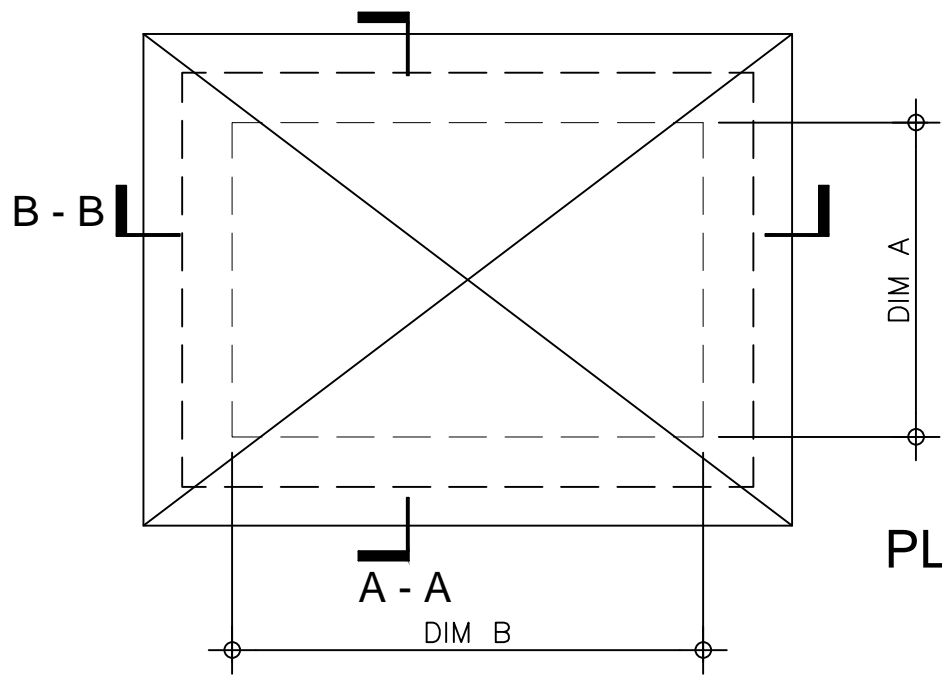
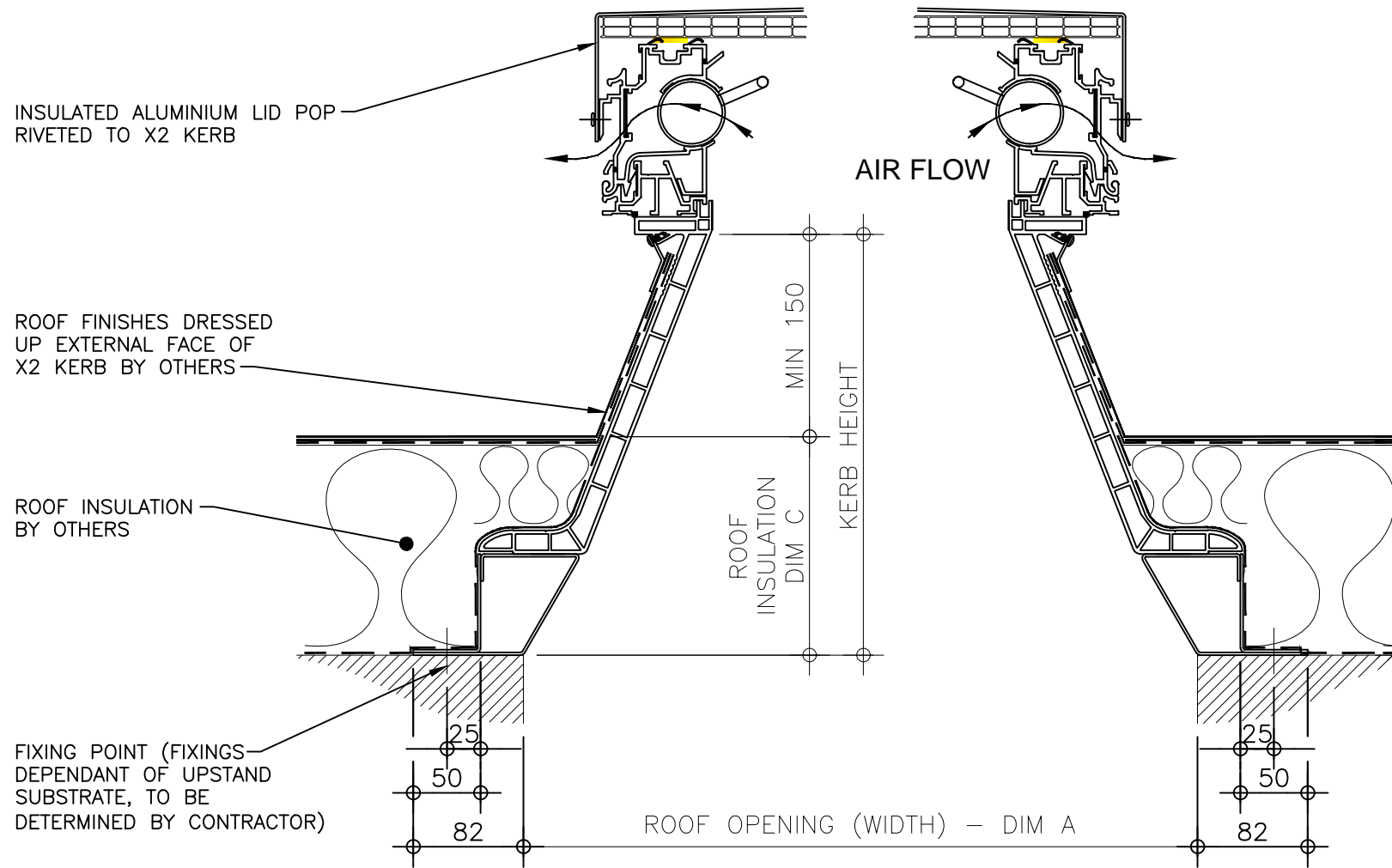


Kerb Specification:
 X2 kerb constructed from self finish white uPVC

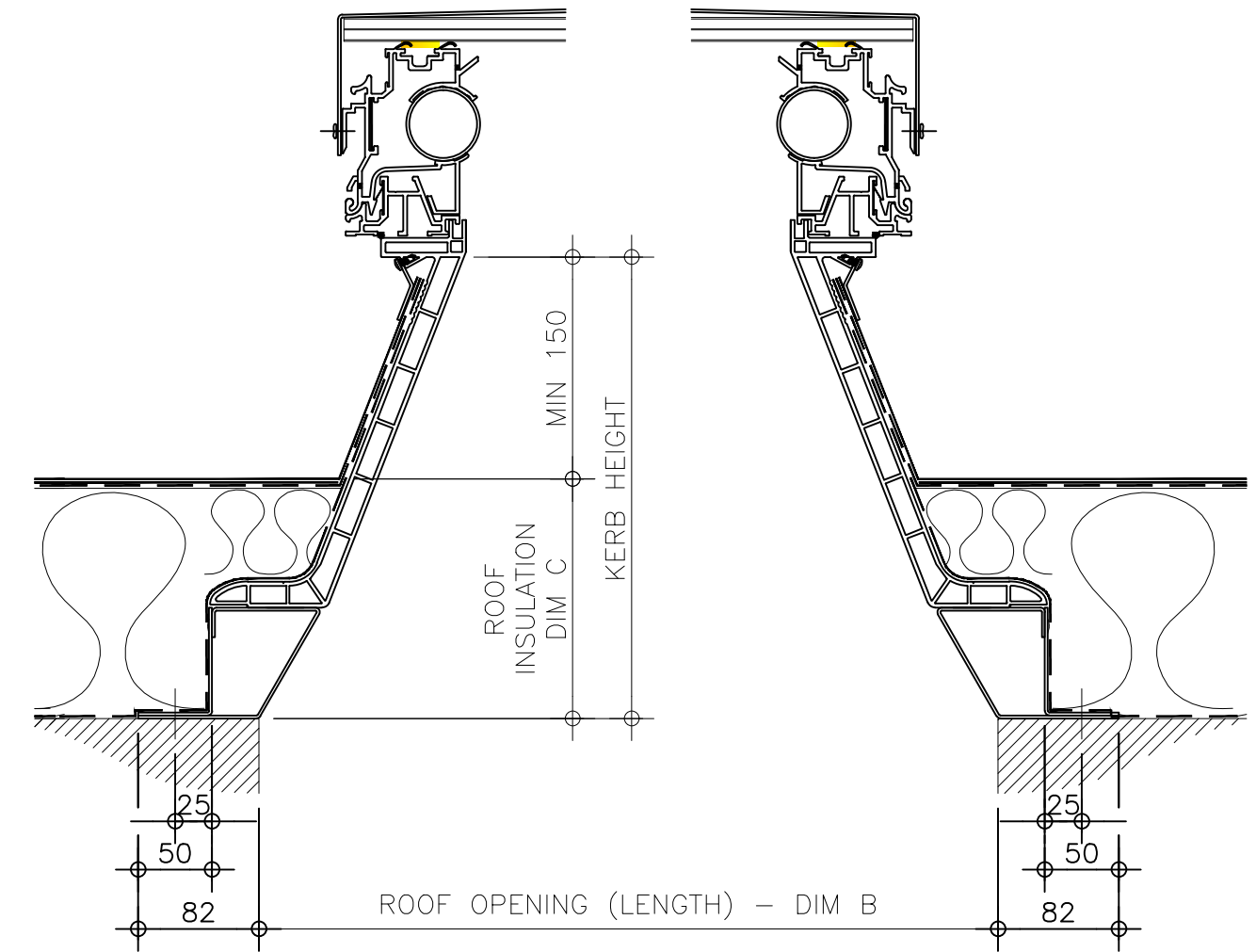
Typical Glazing Specification:
 2mm thick polyester powder coated aluminium with 16mm structured polycarbonate internal liner




PLAN ON MODULAR ROOFLIGHT



SECTION A - A



SECTION B - B

REV: 0	DATE: 29.04.13	DESCRIPTION: New modular drawings released	DRN BY IW	DESCRIPTION: Rotary ventilated uPVC upstand with flexible base kerb, fixed direct to roof with insulated solid lid (aluminium).					
				DRAWN BY: IW	CREATION DATE: 23-Dec-13	CHECKED BY: DL	SCALE(S) 1:5 @ A3	REVISION: 0	
				Xtralite (Rooflights) Limited Spencer Road, Blyth Industrial Estate, Blyth, Northumberland, NE24 5TG T:01670 354 157 F:01670 364 875 E:sales@xtralite.co.uk W:www.xtralite.co.uk					