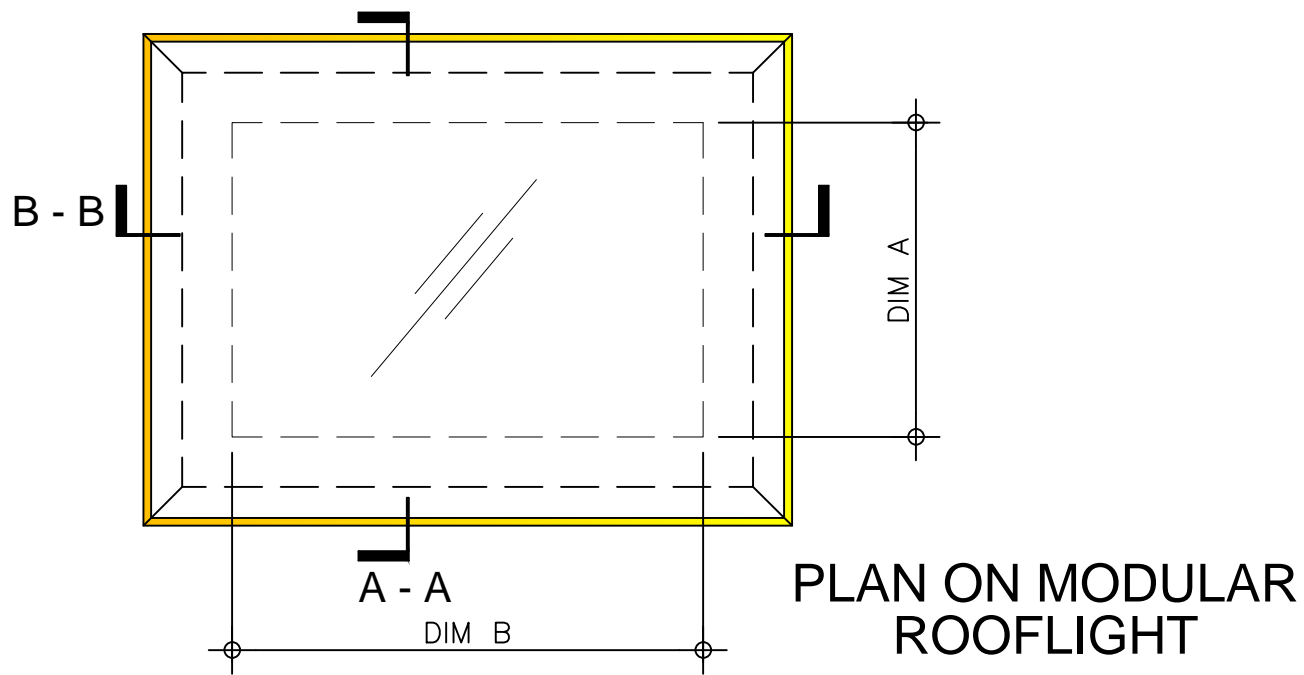


Kerb Specification:
 X2 kerb constructed from self
 finish white uPVC

Typical Glazing Specification:
 Outer - 6mm thick clear toughened glass
 Core - 16mm thick air filled cavity
 Inner - 6.4mm thick clear laminated low 'E' glass

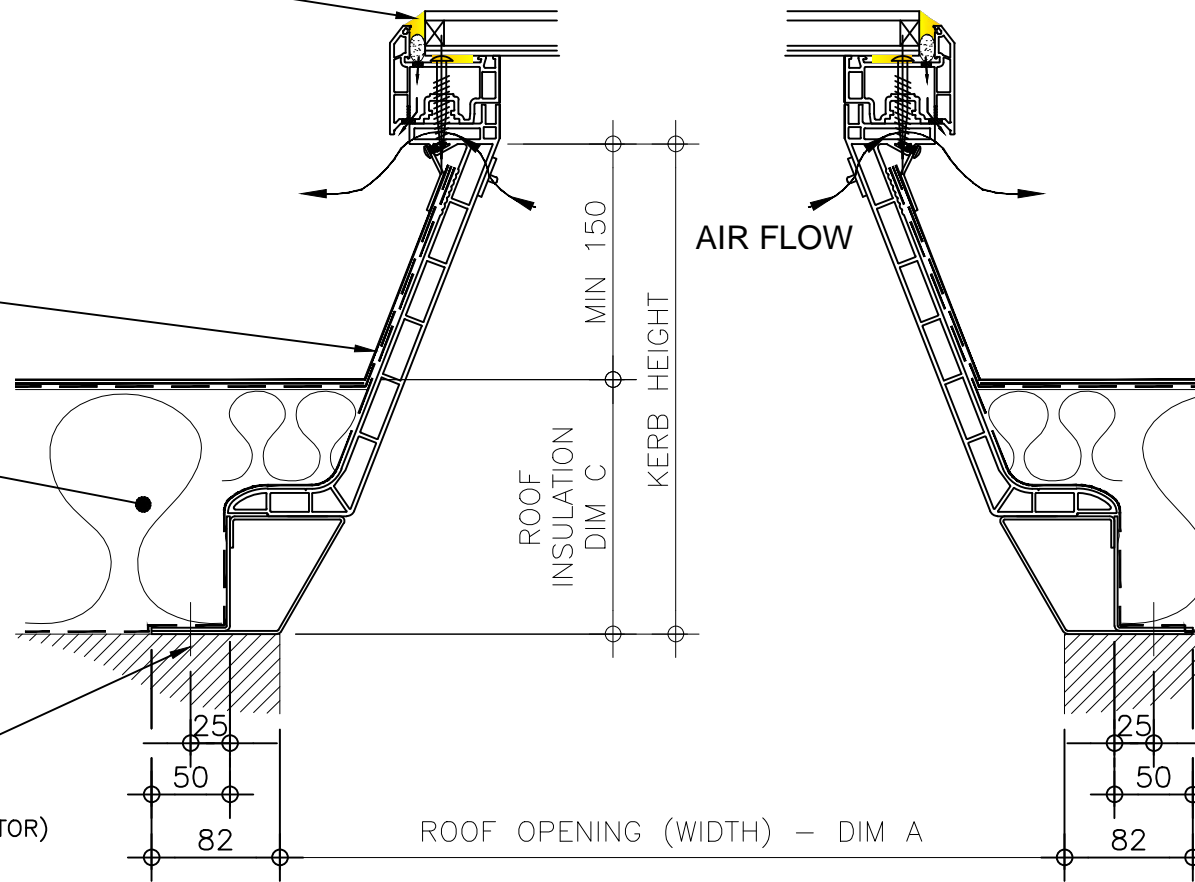


GLASS FULLY SILICONE
 SEALED INTO FRAME

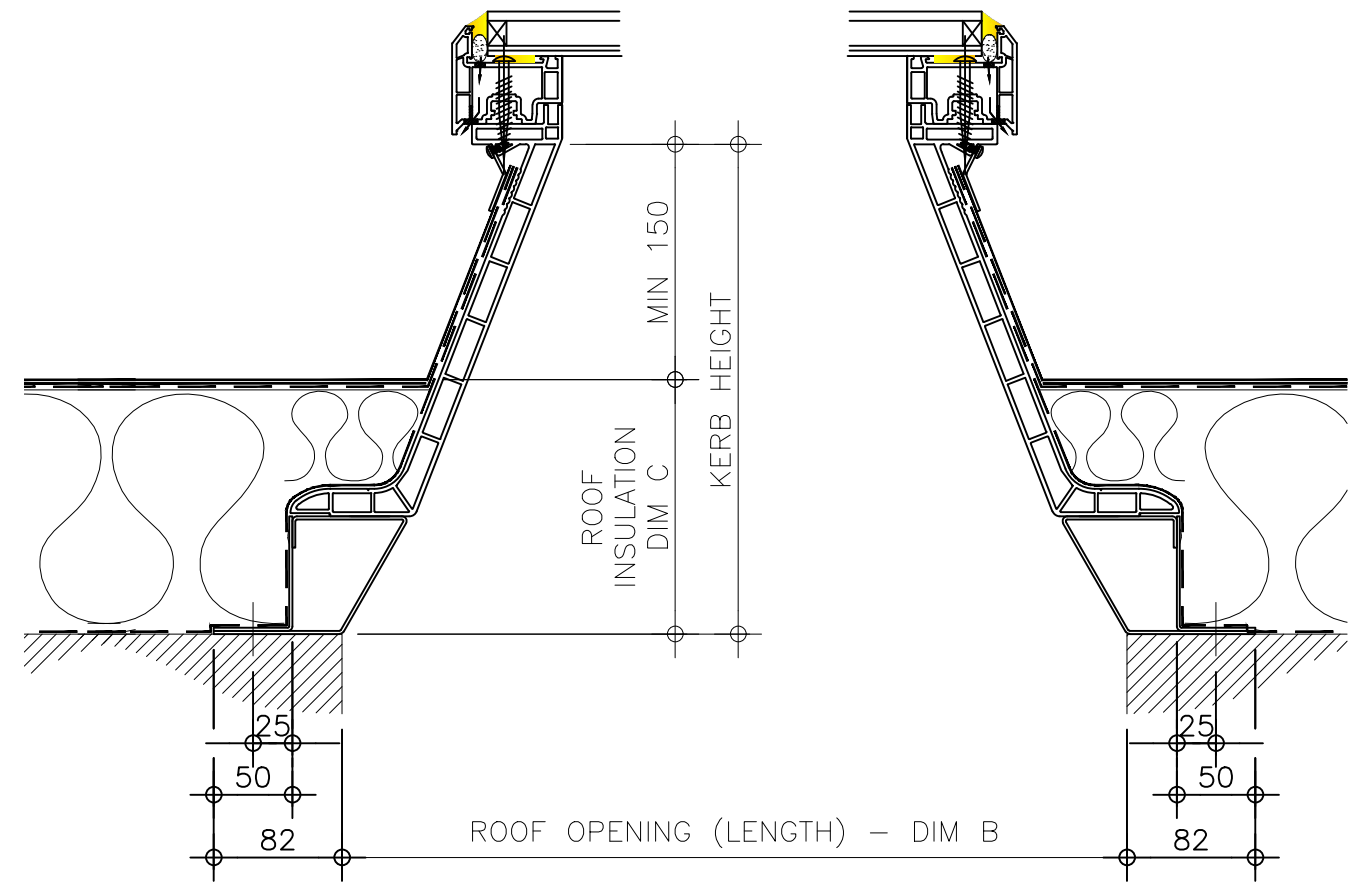
ROOF FINISHES DRESSED
 UP EXTERNAL FACE OF
 X2 KERB BY OTHERS

ROOF INSULATION
 BY OTHERS

FIXING POINT (FIXINGS
 DEPENDANT OF UPSTAND
 SUBSTRATE, TO BE
 DETERMINED BY CONTRACTOR)



AIR FLOW



REV:	DATE:	DESCRIPTION:	DRN BY	DESCRIPTION:
0	29.04.13	New modular drawings released	IW	Hit & miss ventilated uPVC upstand with flexible base kerb, fixed direct to roof with flat double glazed glass lid.
DRAWN BY:		CREATION DATE:	CHECKED BY:	SCALE(S)
IW		23-Dec-13	DL	1:5 @ A3
				REVISION: 0
Xtralite (Rooflights) Limited Spencer Road, Blyth Industrial Estate, Blyth, Northumberland, NE24 5TG T:01670 354 157 F:01670 364 875 E:sales@xtralite.co.uk W:www.xtralite.co.uk				Xtralite ROOFLIGHTS DRG No. XT-X1-A-01-IGLF