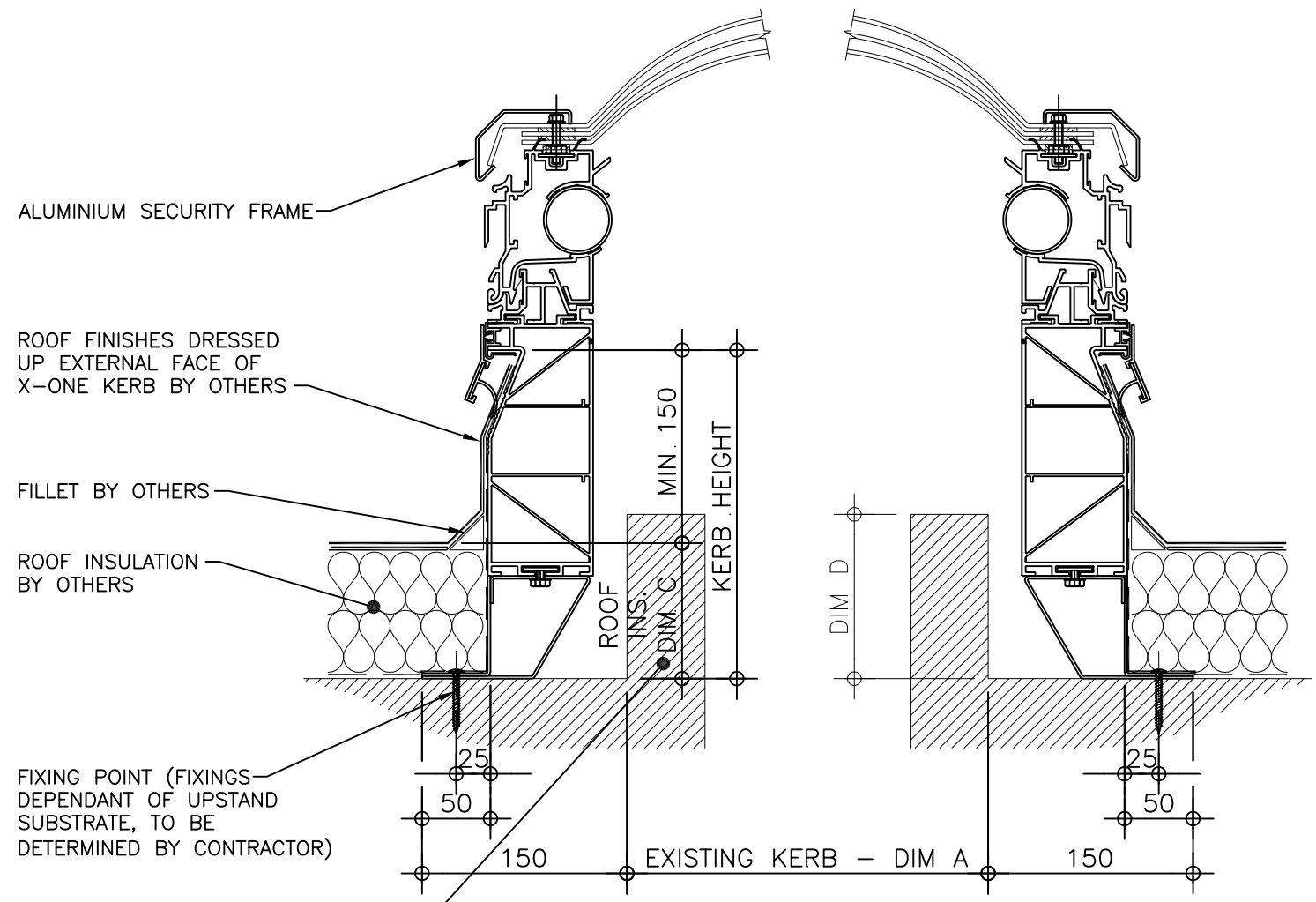
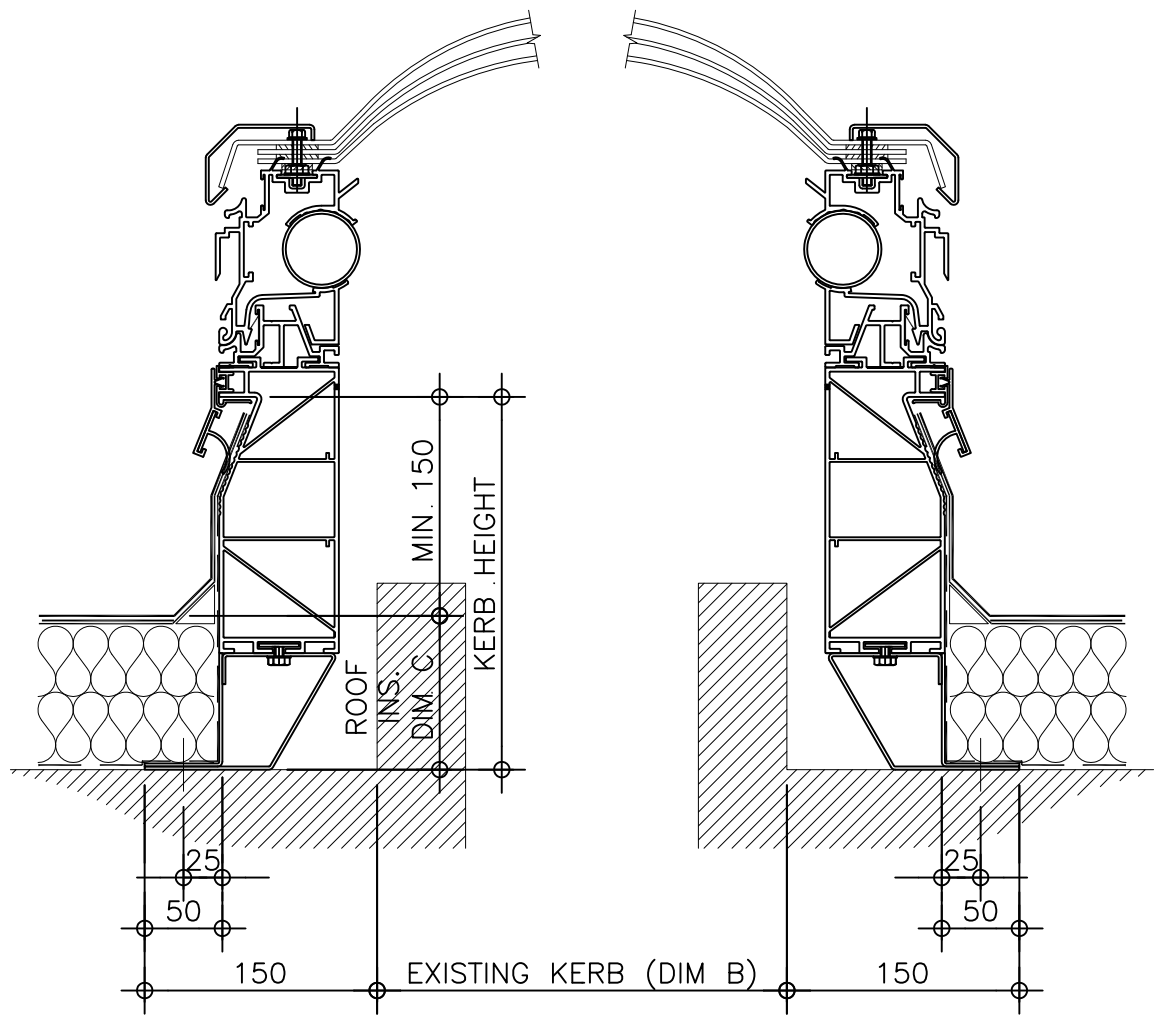


Kerb Specification:
 The X-One rooflight kerb is constructed from extruded uPVC sections, white in colour.
 Metal foot polyester powder coated:-
 Colour: White
 RAL: 9910 Gloss

Typical Glazing Specification:
 Outer - 3mm thick clear UV protected polycarbonate
 Mid - 2mm thick clear polycarbonate
 Inner - 3mm thick clear polycarbonate



SECTION A - A



SECTION B - B

LOCATION OF EXISTING UPSTAND KEPT IN SITU AND OVERSAILED BY NEW ROOFLIGHT

REV:	DATE:	DESCRIPTION:	DRN BY	DESCRIPTION:
0	21.05.14	Issued for approval / comments	IW	Unventilated uPVC upstand with flexible base kerb, fixed direct to roof with triple skin polycarbonate dome and security frame. To oversail existing kerb, which is left in situ
DRAWN BY:		CREATION DATE:	CHECKED BY:	SCALE(S)
DL		21-May-14	-	1:5 @ A3
REVISION:				0
Xtralite (Rooflights) Limited Spencer Road, Blyth Industrial Estate, Blyth, Northumberland, NE24 5TG T:01670 354 157 F:01670 364 875 E:sales@xtralite.co.uk W:www.xtralite.co.uk				DRG No. XT-X1-F-00-SF

