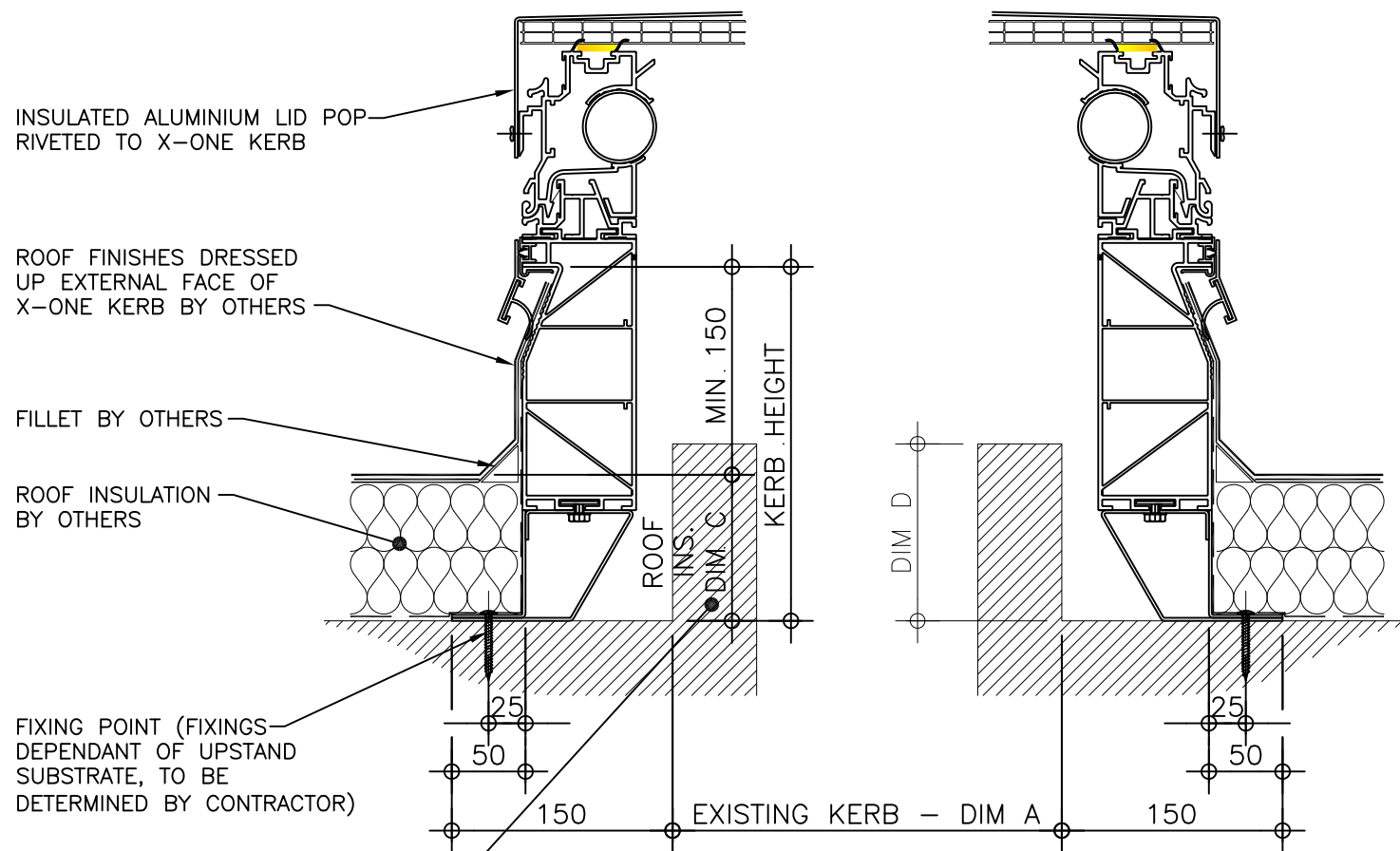


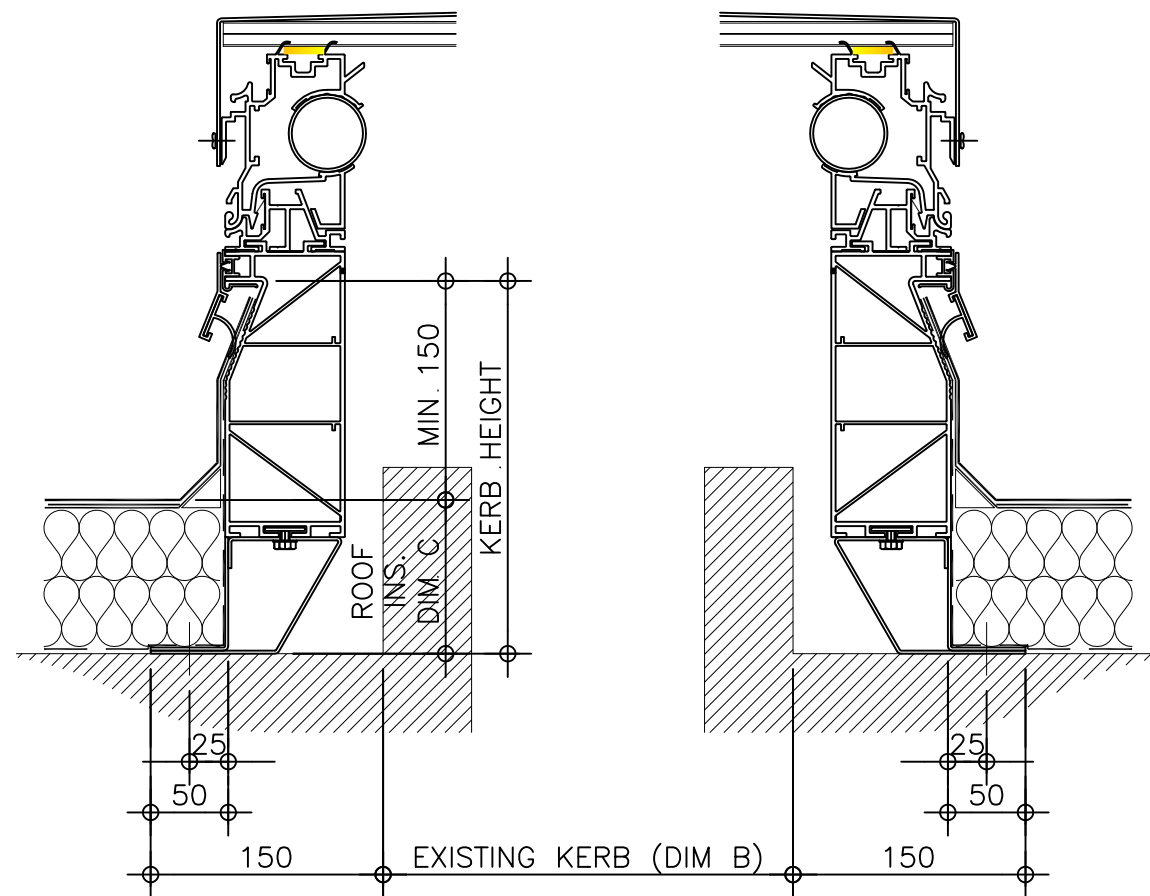
PLAN ON MODULAR ROOFLIGHT

Kerb Specification:
 The X-One rooflight kerb is constructed from extruded uPVC sections, white in colour.
 Metal foot polyester powder coated:-
 Colour: White
 RAL: 9910 Gloss

Typical Glazing Specification:
 2mm thick polyester powder coated aluminium with 16mm structured polycarbonate internal liner




SECTION A - A



SECTION B - B

LOCATION OF EXISTING UPSTAND KEPT IN SITU AND OVERSAILED BY NEW ROOFLIGHT

REV:	DATE:	DESCRIPTION:	DRN BY	DESCRIPTION:
0	21.05.14	Issued for approval / comments	DL	Unventilated uPVC upstand with flexible base kerb, fixed direct to roof with insulated solid lid (aluminium). To oversail existing kerb, which is left in situ
		DRAWN BY:	CREATION DATE:	CHECKED BY:
		DL	21-May-14	-
		SCALE(S)	REVISION:	
		1:5 @ A3	0	
Xtralite (Rooflights) Limited Spencer Road, Blyth Industrial Estate, Blyth, Northumberland, NE24 5TG T:01670 354 157 F:01670 364 875 E:sales@xtralite.co.uk W:www.xtralite.co.uk				 DRG No. XT-X1-F-00-ISL