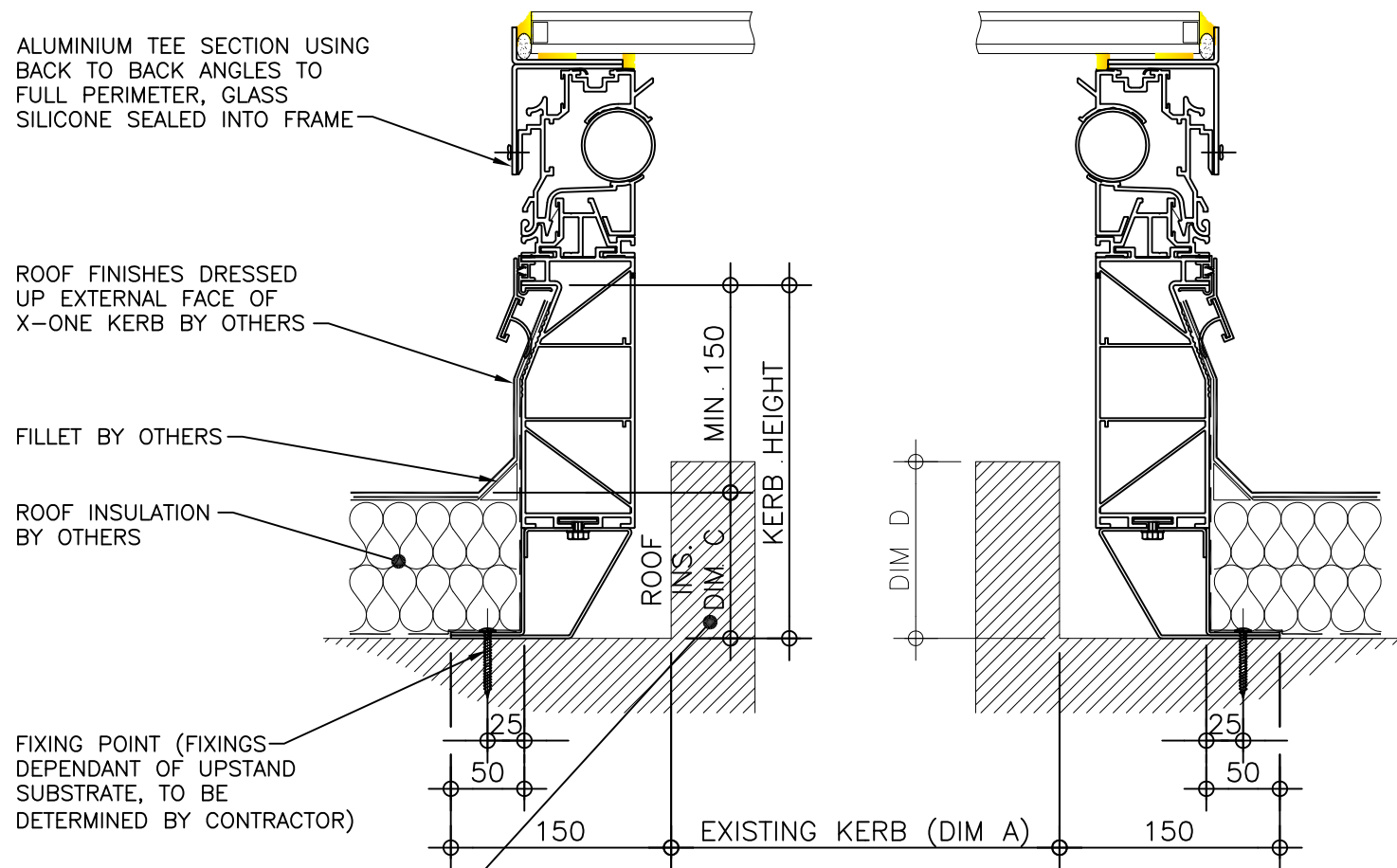
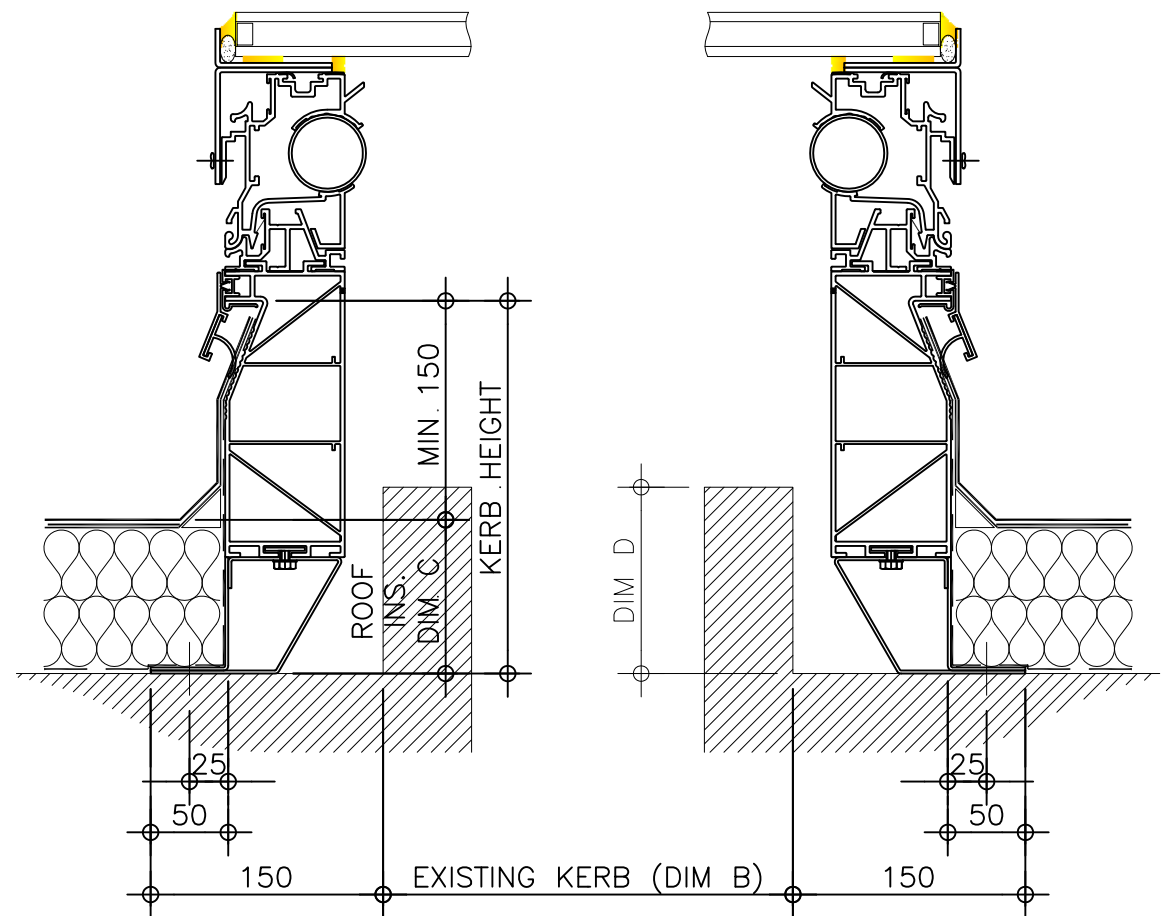


Kerb Specification:
 The X-One rooflight kerb is constructed from extruded uPVC sections, white in colour.
 Metal foot polyester powder coated:-
 Colour: White
 RAL: 9910 Gloss

Typical Glazing Specification:
 Outer - 6mm thick clear toughened glass
 Core - 16mm thick air filled cavity
 Inner - 6.4mm thick clear laminated low 'E' glass



SECTION A - A



SECTION B - B

LOCATION OF EXISTING UPSTAND KEPT IN SITU AND OVERSAILED BY NEW ROOFLIGHT

REV:	DATE:	DESCRIPTION:	DRN BY	DESCRIPTION:
0	21.05.14	Issued for approval / comments	DL	Unventilated uPVC upstand with flexible base kerb, fixed direct to roof with flat double glazed glass lid. To oversail existing kerb, which is left in situ
DRAWN BY:		CREATION DATE:	CHECKED BY:	SCALE(S)
DL		21-May-14	-	1:5 @ A3
REVISION:				0
Xtralite (Rooflights) Limited Spencer Road, Blyth Industrial Estate, Blyth, Northumberland, NE24 5TG T:01670 354 157 F:01670 364 875 E:sales@xtralite.co.uk W:www.xtralite.co.uk				DRG No. XT-X1-F-00-IGLF

