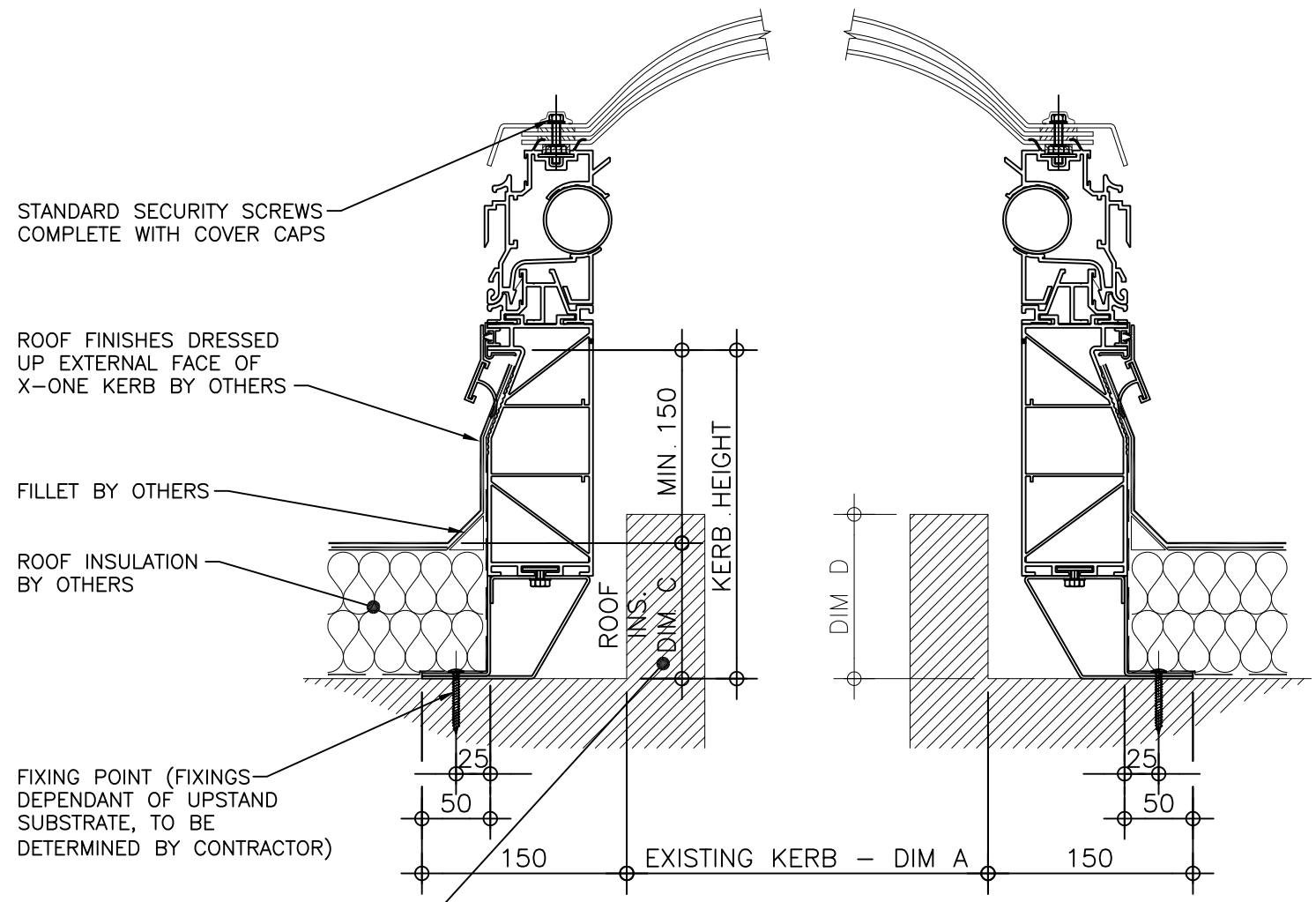


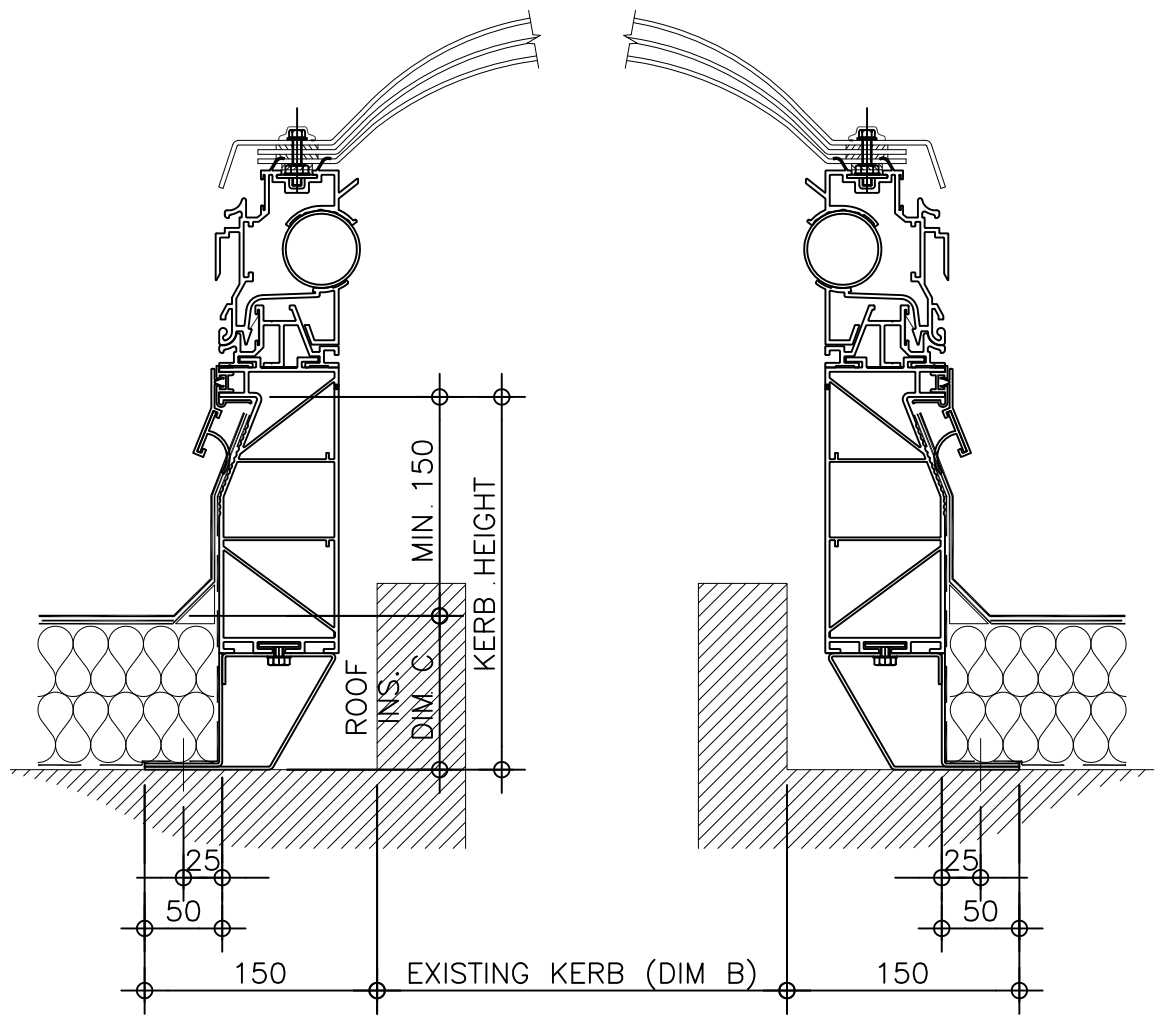
**PLAN ON MODULAR ROOFLIGHT**

**Kerb Specification:**  
 The X-One rooflight kerb is constructed from extruded uPVC sections, white in colour.  
 Metal foot polyester powder coated:-  
 Colour: White  
 RAL: 9910 Gloss

**Typical Glazing Specification:**  
 Outer - 3mm thick clear UV protected polycarbonate  
 Mid - 2mm thick clear polycarbonate  
 Inner - 3mm thick clear polycarbonate



**SECTION A - A**



**SECTION B - B**

LOCATION OF EXISTING UPSTAND KEPT IN SITU AND OVERSAILED BY NEW ROOFLIGHT

REV:	DATE:	DESCRIPTION:	DRN BY	DESCRIPTION:
0	21.05.14	Issued for approval / comments	DL	Unventilated uPVC upstand with flexible base kerb, fixed direct to roof with triple skin polycarbonate dome and standard security screws. To oversail existing kerb, which is left in situ
DRAWN BY:		CREATION DATE:	CHECKED BY:	SCALE(S)
DL		21-May-14	-	1:5 @ A3
REVISION:				0
<b>Xtralite (Rooflights) Limited</b> Spencer Road, Blyth Industrial Estate, Blyth, Northumberland, NE24 5TG T:01670 354 157 F:01670 364 875 E:sales@xtralite.co.uk W:www.xtralite.co.uk				DRG No. <b>XT-X1-F-00-SS</b>

