

PLAN ON MODULAR ROOFLIGHT

Kerb Specification:
 The X-One rooflight kerb is constructed from extruded uPVC sections, white in colour.
 Metal adapter kerb polyester powder coated:-
 Colour: White
 RAL: 9910 Gloss

Typical Glazing Specification:
 Outer - 3mm thick clear UV protected polycarbonate
 Mid - 2mm thick clear polycarbonate
 Inner - 3mm thick clear polycarbonate

STANDARD SECURITY FRAME

ALWAYS HINGED ON LONG SIDE

FIXING POINT (FIXINGS DEPENDANT OF UPSTAND SUBSTRATE, TO BE DETERMINED BY CONTRACTOR)

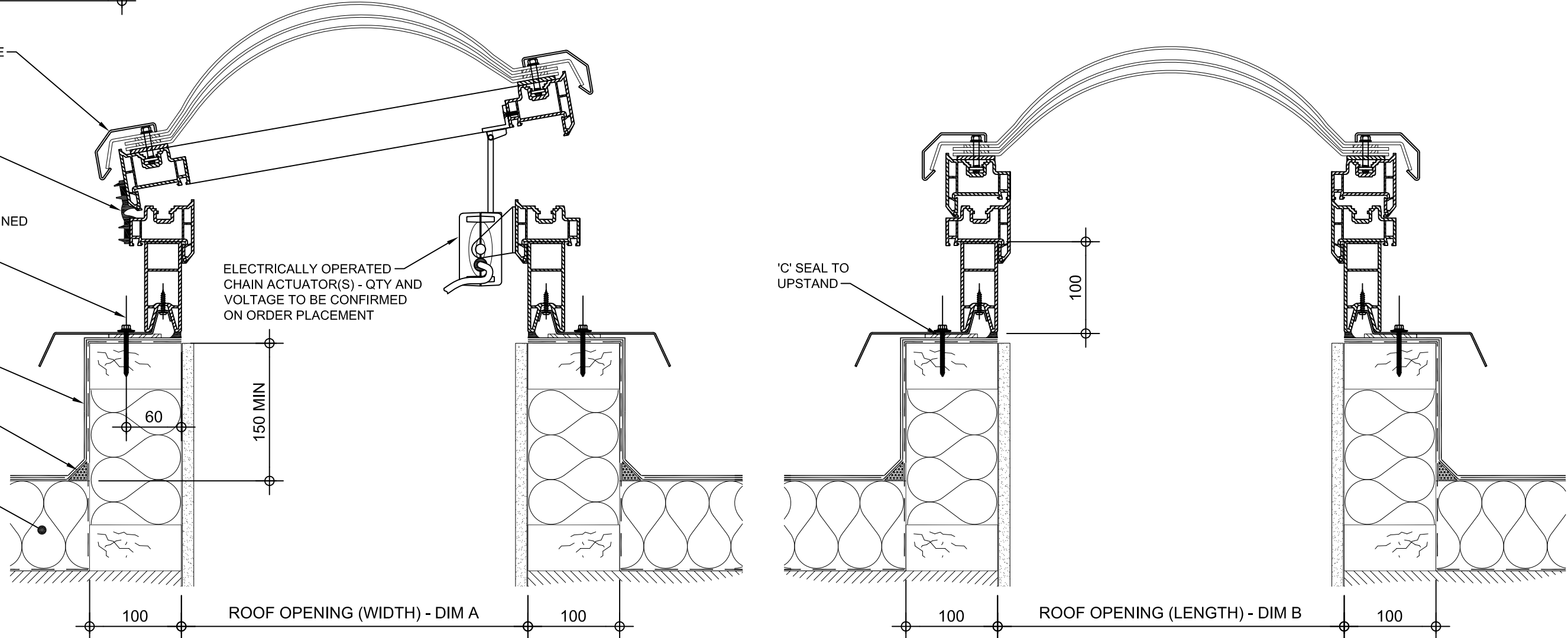
ROOF FINISHES BY OTHERS

FILLET BY OTHERS

ROOF INSULATION BY OTHERS

ELECTRICALLY OPERATED CHAIN ACTUATOR(S) - QTY AND VOLTAGE TO BE CONFIRMED ON ORDER PLACEMENT

'C' SEAL TO UPSTAND



SECTION A - A

SECTION B - B

REV:	DATE:	DESCRIPTION:	DRN BY:	DESCRIPTION:				
0	19.12.13	New X-One D drawings released	DL	100mm high uPVC X-One adaptor kerb upstand with electrically operated opening vent, Triple skin polycarbonate dome and security frame. Vent actuated via chain driven actuator(s) - quantity and voltage to be confirmed on order placement.				
				DRAWN BY:	CREATION DATE:	CHECKED BY:	SCALE(S):	
				DL	19-Dec-13		1:5 @ A3	0
				Xtralite (Rooflights) Limited Spencer Road, Blyth Industrial Estate, Blyth, Northumberland, NE24 5TG T:01670 354 157 F:01670 364 875 E:sales@xtralite.co.uk W:www.xtralite.co.uk				DRG No. XT-X1-D-06-SF