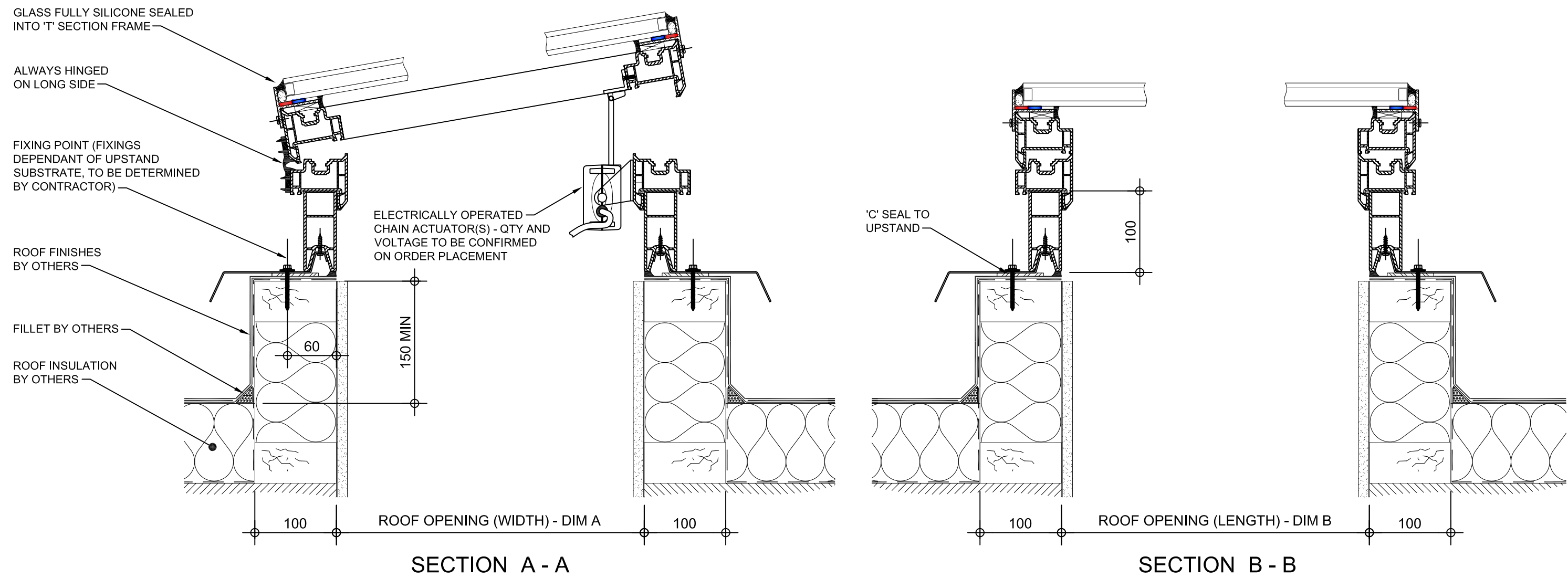


Kerb Specification:
 The X-One rooflight kerb is constructed from extruded uPVC sections, white in colour.
 Metal adapter kerb polyester powder coated:-
 Colour: White
 RAL: 9910 Gloss

Typical Glazing Specification:
 Outer - 3mm thick clear UV protected polycarbonate
 Mid - 2mm thick clear polycarbonate
 Inner - 3mm thick clear polycarbonate



| | | | | |
|------|----------|-------------------------------|---------|--|
| REV: | DATE: | DESCRIPTION: | DRN BY: | DESCRIPTION: |
| 0 | 19.12.13 | New X-One D drawings released | DL | 100mm high uPVC X-One adaptor kerb upstand with electrically operated opening vent double glazed flat glass top. Vent actuated via chain driven actuator(s) - quantity and voltage to be confirmed on order placement. |
| | | | | DRAWN BY: DL |
| | | | | CREATION DATE: 19-Dec-13 |
| | | | | CHECKED BY: |
| | | | | SCALE(S): 1:5 @ A3 |
| | | | | REVISION: 0 |
| | | | | Xtralite (Rooflights) Limited Spencer Road, Blyth Industrial Estate, Blyth, Northumberland, NE24 5TG T:01670 354 157 F:01670 364 875 E:sales@xtrallite.co.uk W:www.xtrallite.co.uk |

Xtralite
ROOFLIGHTS

DRG No.
XT-X1-D-06-IGLF