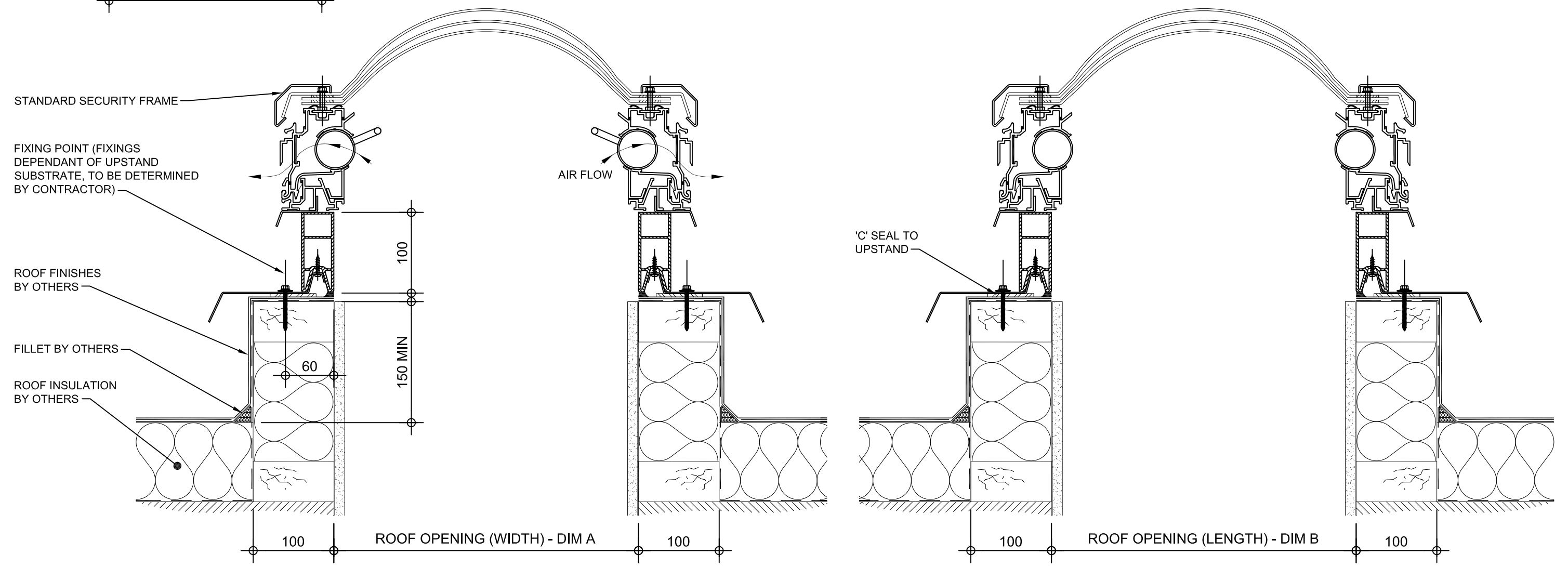


PLAN ON MODULAR ROOFLIGHT

**Kerb Specification:**  
 The X-One rooflight kerb is constructed from extruded uPVC sections, white in colour.  
 Metal adapter kerb polyester powder coated:-  
 Colour: White  
 RAL: 9910 Gloss

**Typical Glazing Specification:**  
 Outer - 3mm thick clear UV protected polycarbonate  
 Mid - 2mm thick clear polycarbonate  
 Inner - 3mm thick clear polycarbonate



SECTION A - A

SECTION B - B

REV:	DATE:	DESCRIPTION:	DRN BY:	DESCRIPTION:				
0	19.12.13	New X-One D drawings released	DL	100mm high uPVC X-One adaptor kerb upstand with rotary ventilation, Triple skin polycarbonate dome and security frame.				
				DRAWN BY:	CREATION DATE:	CHECKED BY:	SCALE(S):	
				DL	19-Dec-13		1:5 @ A3	0
				<b>Xtralite (Rooflights) Limited</b> Spencer Road, Blyth Industrial Estate, Blyth, Northumberland, NE24 5TG T:01670 354 157 F:01670 364 875 E:sales@xtralite.co.uk W:www.xtralite.co.uk				DRG No. <b>XT-X1-D-02-SF</b>