

**PLAN ON MODULAR ROOFLIGHT**

**Kerb Specification:**  
 The X-One rooflight kerb is constructed from extruded uPVC sections, white in colour.  
 Metal adapter kerb polyester powder coated:-  
 Colour: White  
 RAL: 9910 Gloss

**Typical Glazing Specification:**  
 2mm thick polyester powder coated aluminium with 16mm structured polycarbonate internal liner

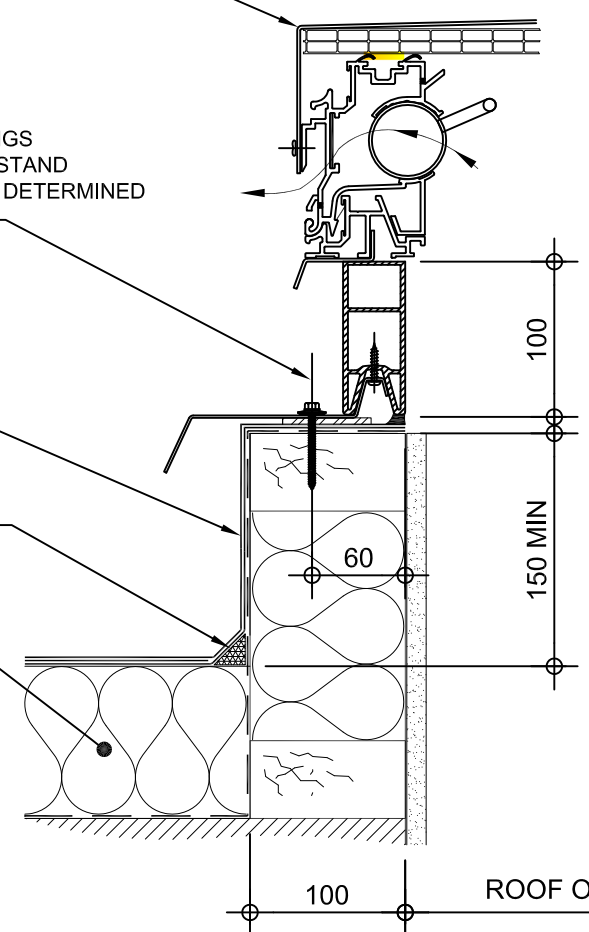
INSULATED ALUMINIUM LID POP RIVETED TO X2V KERB

FIXING POINT (FIXINGS DEPENDANT OF UPSTAND SUBSTRATE, TO BE DETERMINED BY CONTRACTOR)

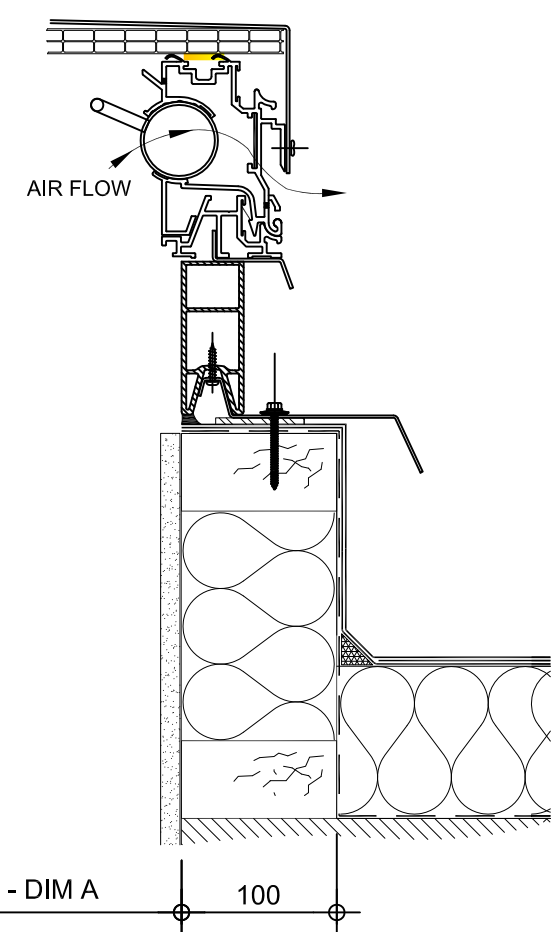
ROOF FINISHES BY OTHERS

FILLET BY OTHERS

ROOF INSULATION BY OTHERS



**SECTION A - A**



**SECTION B - B**

ROOF OPENING (WIDTH) - DIM A

ROOF OPENING (LENGTH) - DIM B

REV:	DATE:	DESCRIPTION:	DRN BY	DESCRIPTION:				
0	19.12.13	New X-One D drawings released	DL	100mm high uPVC X-One adaptor kerb upstand with rotary ventilation and insulated solid lid.				
DRAWN BY:		CREATION DATE:		CHECKED BY:		SCALE(S)		REVISION:
DL		19-Dec-13				1:5 @ A3		0
<b>Xtralite (Rooflights) Limited</b> Spencer Road, Blyth Industrial Estate, Blyth, Northumberland, NE24 5TG T:01670 354 157 F:01670 364 875 E:sales@xtralite.co.uk W:www.xtralite.co.uk								DRG No. <b>XT-X1-D-02-ISL</b>

