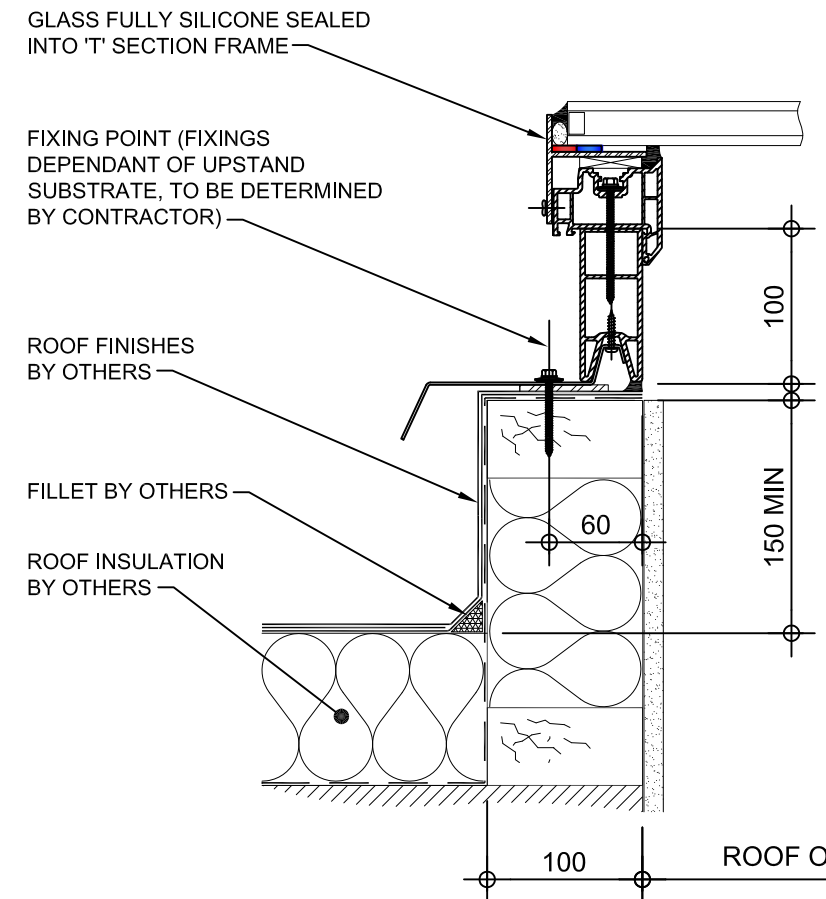


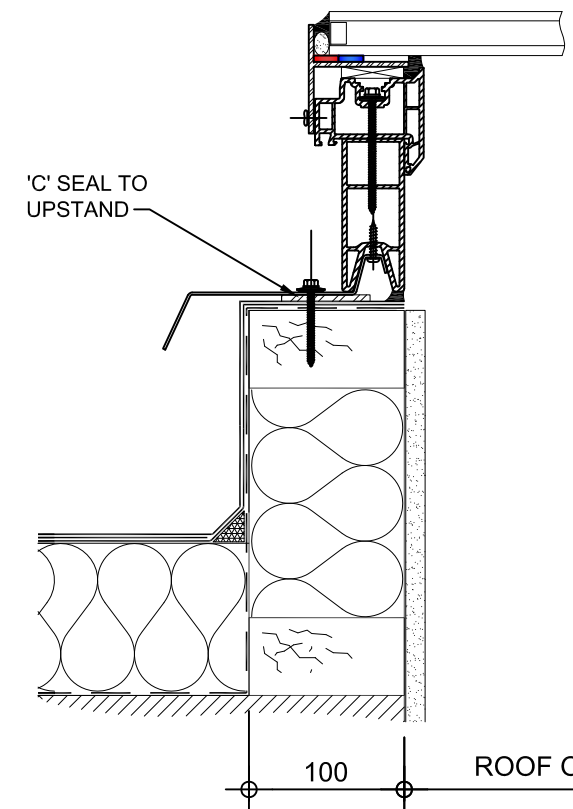
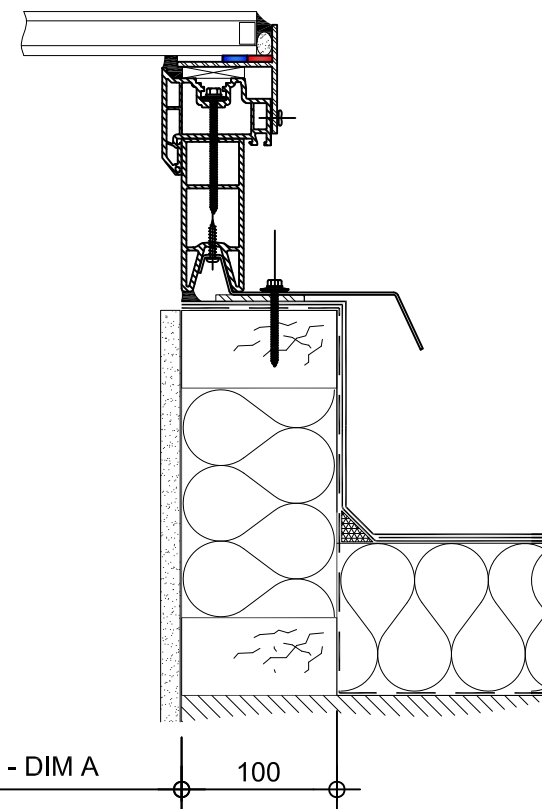
PLAN ON MODULAR ROOFLIGHT

Kerb Specification:
 The X-One rooflight kerb is constructed from extruded uPVC sections, white in colour.
 Metal adapter kerb polyester powder coated:-
 Colour: White
 RAL: 9910 Gloss


Typical Glazing Specification:
 Outer - 6mm thick clear toughened glass
 Core - 16mm thick air filled cavity
 Inner - 6.4mm thick clear laminated low 'E' glass



SECTION A - A



SECTION B - B

REV:	DATE:	DESCRIPTION:	DRN BY:	DESCRIPTION:
0	19.12.13	New X-One D drawings released	DL	100mm high uPVC X-One adaptor kerb upstand, Unventilated with double glazed flat glass top.
DRAWN BY:		CREATION DATE:	CHECKED BY:	SCALE(S)
DL		19-Dec-13		1:5 @ A3
REVISION:				0
Xtralite (Rooflights) Limited Spencer Road, Blyth Industrial Estate, Blyth, Northumberland, NE24 5TG T:01670 354 157 F:01670 364 875 E:sales@xtralite.co.uk W:www.xtralite.co.uk				 DRG No. XT-X1-D-00-IGLF