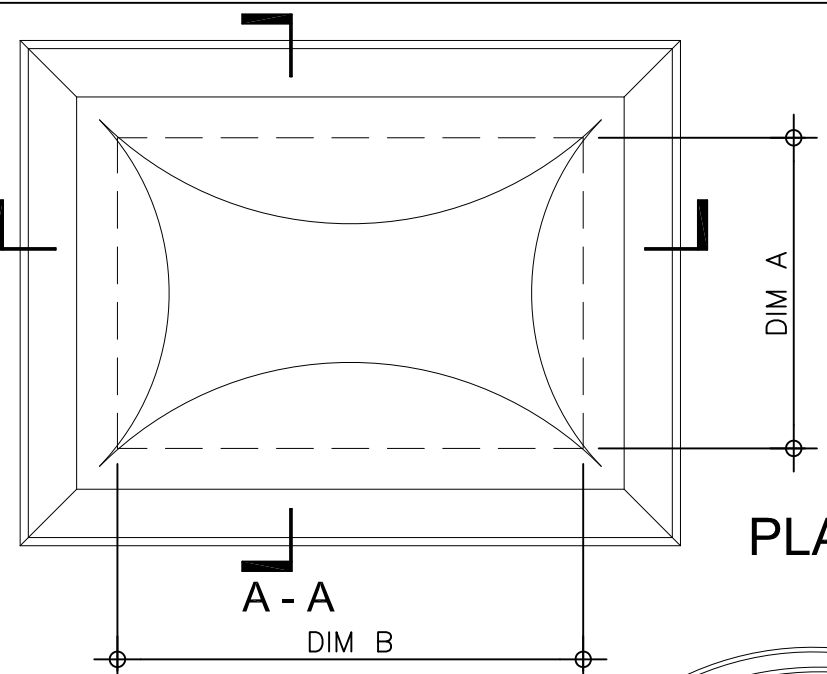


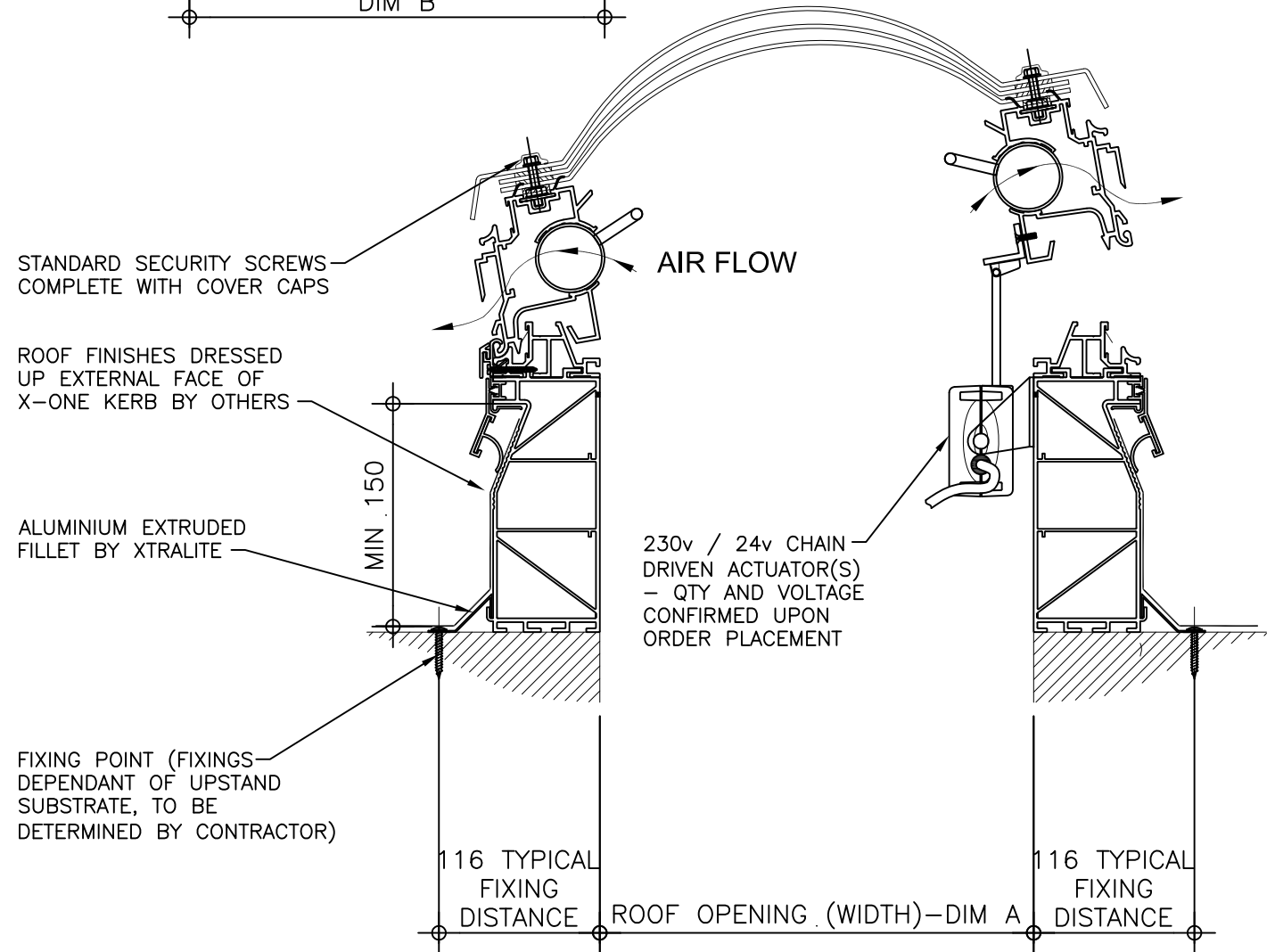
Kerb Specification:
 The X-One rooflight kerb is constructed from extruded uPVC sections, white in colour

Typical Glazing Specification:
 Outer - 3mm thick clear UV protected polycarbonate
 Mid - 2mm thick clear polycarbonate
 Inner - 3mm thick clear polycarbonate

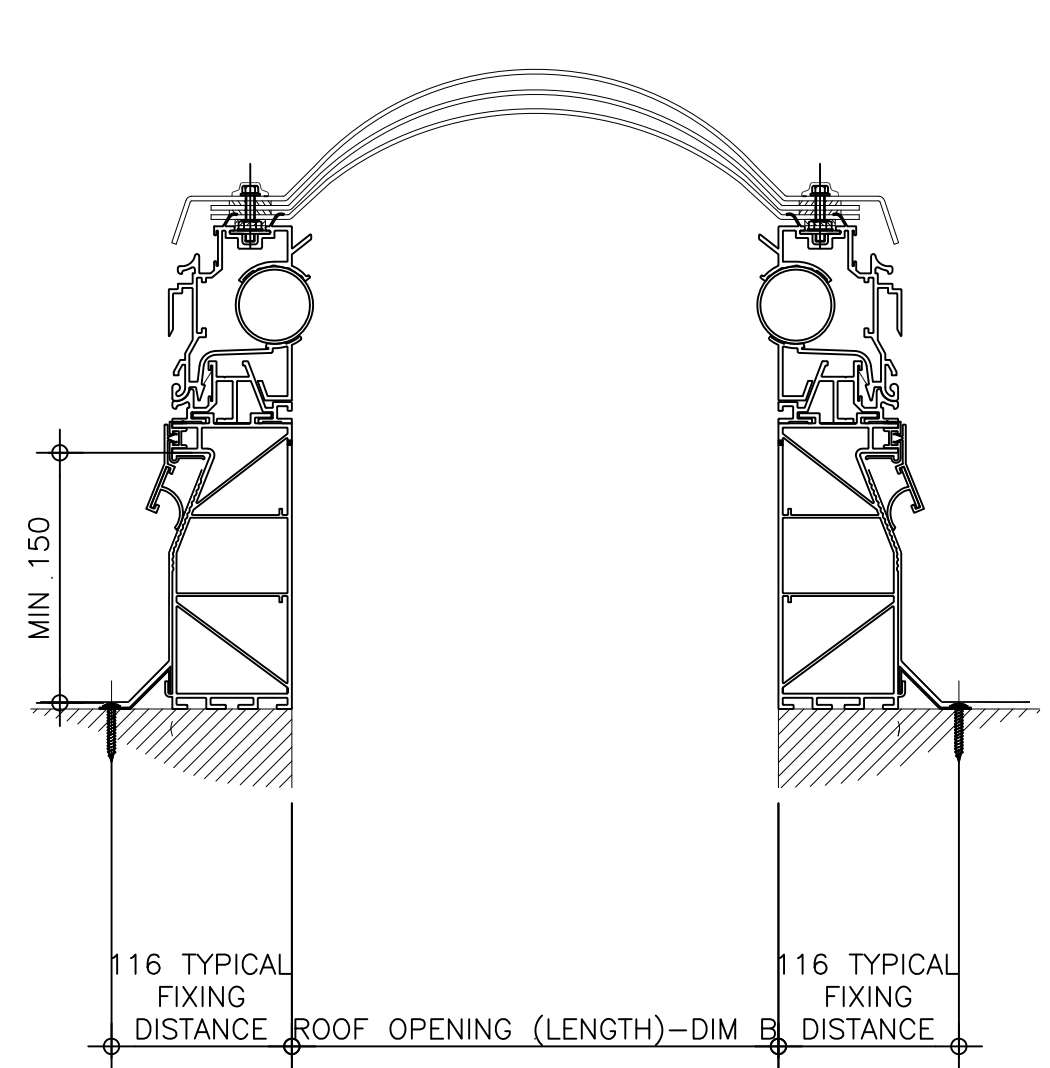
B - B



PLAN ON MODULAR ROOFLIGHT



SECTION A - A



SECTION B - B

REV:	DATE:	DESCRIPTION:	DRN BY	DESCRIPTION:
1	18.12.13	All X-One-C drawings revised	DL	Rotary & Linear Motor ventilated uPVC upstand fixed direct to insulated roof with triple skin polycarbonate dome and standard security screws. Vent actuated via chain driven actuator(s) - quantity and voltage to be confirmed on order placement.
0	22.03.12	Issued for approval / comments	IW	
				DRAWN BY: IW
				CREATION DATE: 18-Dec-13
				CHECKED BY: DL
				SCALE(S): 1:5 @ A3
				REVISION: 1
				Xtralite (Rooflights) Limited Spencer Road, Blyth Industrial Estate, Blyth, Northumberland, NE24 5TG T:01670 354 157 F:01670 364 875 E:sales@xtralite.co.uk W:www.xtralite.co.uk
				DRG No. XT-X1-C-0602-SS

