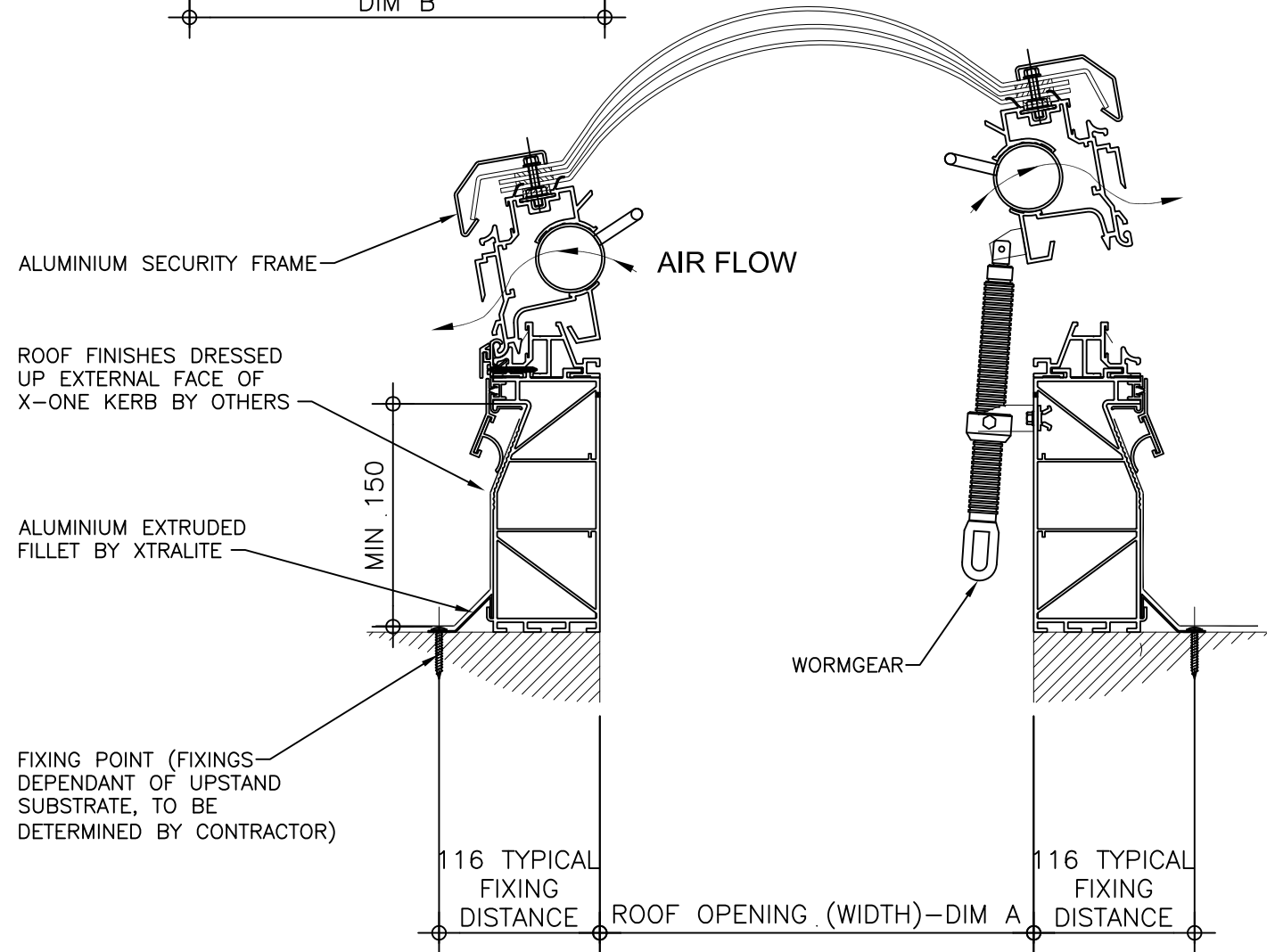
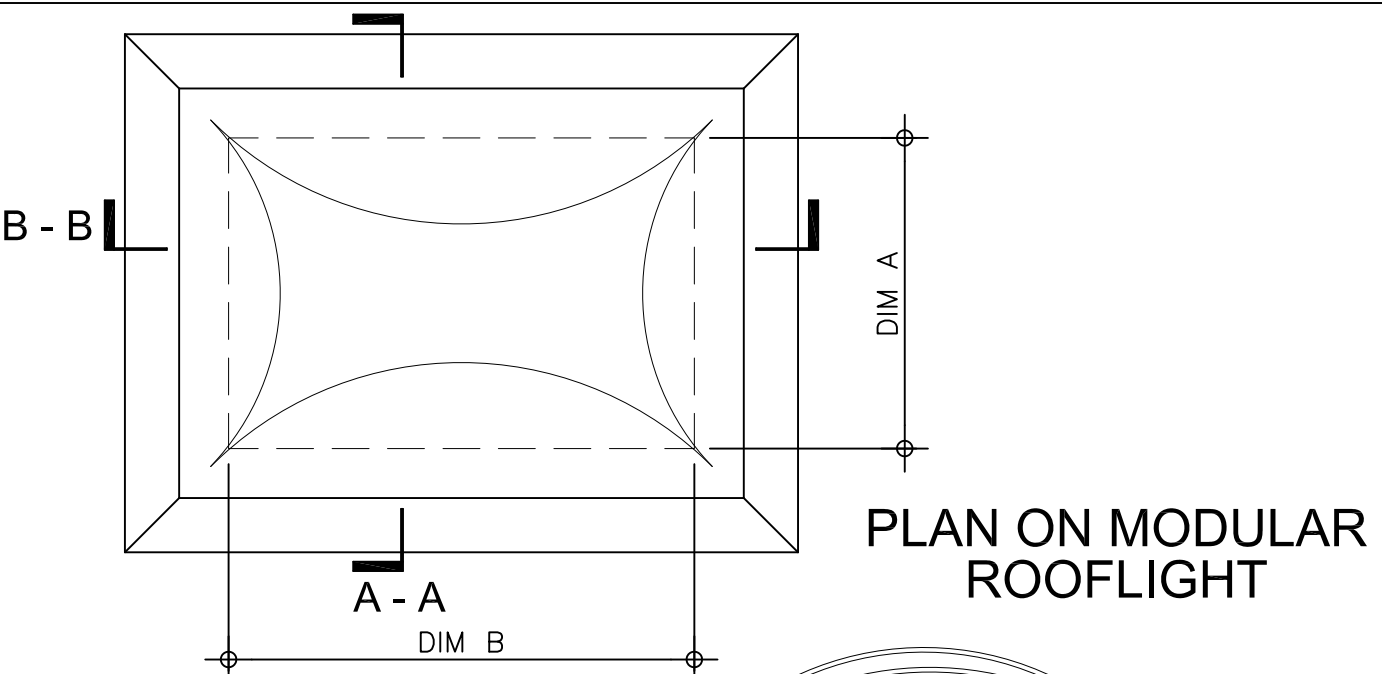
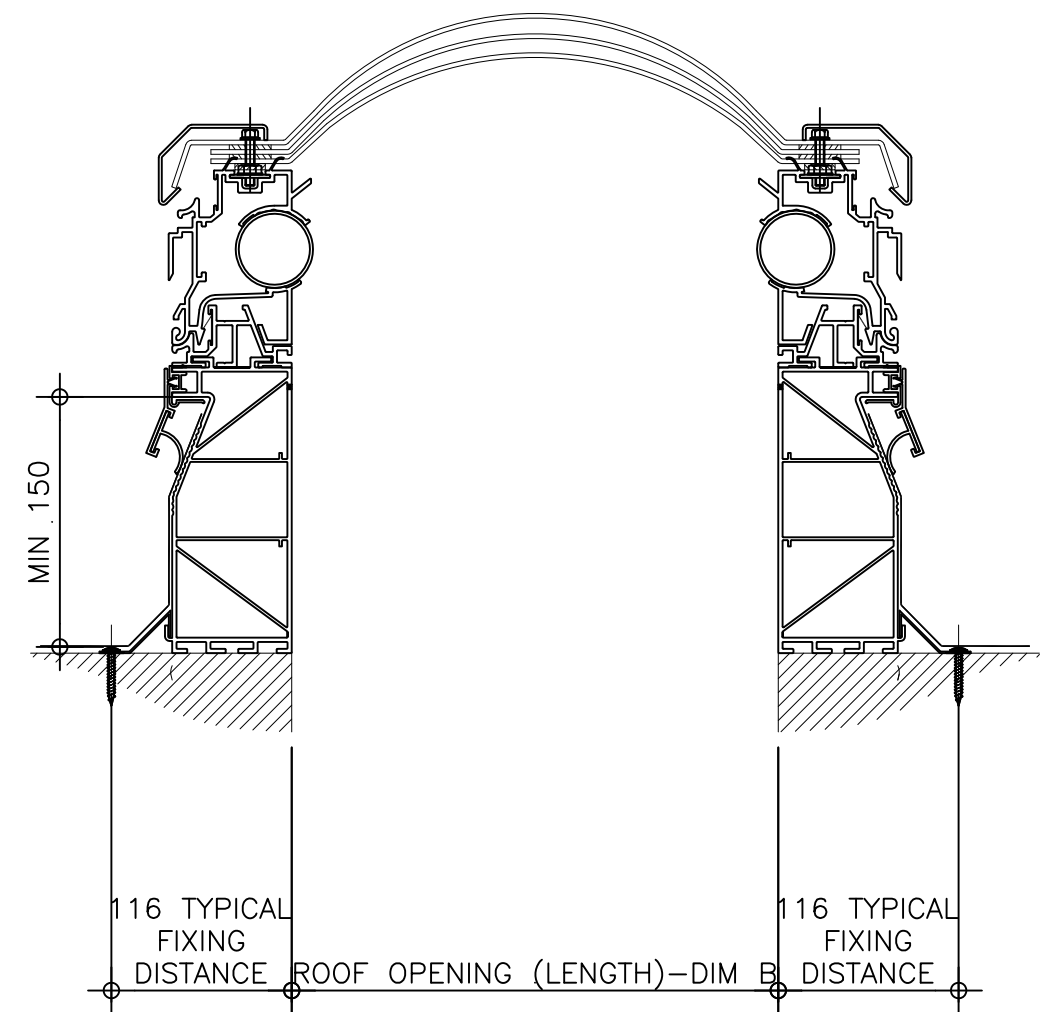


Kerb Specification:
 The X-One rooflight kerb is constructed from extruded uPVC sections, white in colour

Typical Glazing Specification:
 Outer - 3mm thick clear UV protected polycarbonate
 Mid - 2mm thick clear polycarbonate
 Inner - 3mm thick clear polycarbonate



SECTION A - A



SECTION B - B

REV:	DATE:	DESCRIPTION:	DRN BY	DESCRIPTION:	
1	18.12.13	All X-One-C drawings revised	DL	Rotary & Wormgear ventilated uPVC upstand fixed direct to insulated roof with triple skin polycarbonate dome and security frame.	
0	22.03.12	Issued for approval / comments	IW		
DRAWN BY:		CREATION DATE:	CHECKED BY:	SCALE(S)	REVISION:
IW		18-Dec-13	DL	1:5 @ A3	1
Xtralite (Rooflights) Limited Spencer Road, Blyth Industrial Estate, Blyth, Northumberland, NE24 5TG T:01670 354 157 F:01670 364 875 E:sales@xtralite.co.uk W:www.xtralite.co.uk					

DRG No.
XT-X1-C-0302-SF