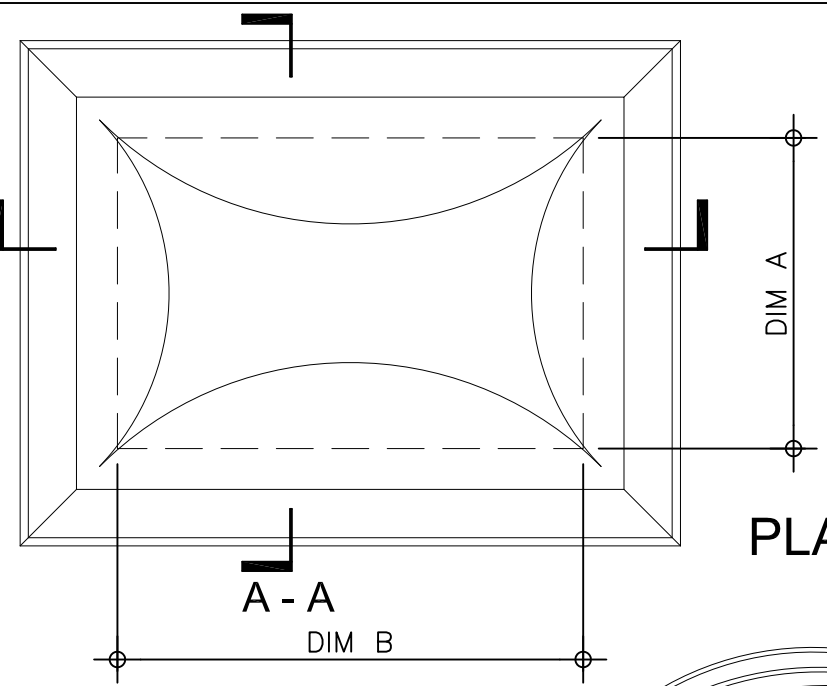


Kerb Specification:
 The X-One rooflight kerb is constructed from extruded uPVC sections, white in colour

Typical Glazing Specification:
 Outer - 3mm thick clear UV protected polycarbonate
 Mid - 2mm thick clear polycarbonate
 Inner - 3mm thick clear polycarbonate

B - B



PLAN ON MODULAR ROOFLIGHT

STANDARD SECURITY SCREWS COMPLETE WITH COVER CAPS

ROOF FINISHES DRESSED UP EXTERNAL FACE OF X-ONE KERB BY OTHERS

ALUMINIUM EXTRUDED FILLET BY XTRALITE

FIXING POINT (FIXINGS DEPENDANT OF UPSTAND SUBSTRATE, TO BE DETERMINED BY CONTRACTOR)

MIN 150

230v / 24v CHAIN DRIVEN ACTUATOR(S) - QTY AND VOLTAGE CONFIRMED UPON ORDER PLACEMENT

116 TYPICAL FIXING DISTANCE

ROOF OPENING (WIDTH)-DIM A

116 TYPICAL FIXING DISTANCE

SECTION A - A

MIN 150

116 TYPICAL FIXING DISTANCE

ROOF OPENING (LENGTH)-DIM B

116 TYPICAL FIXING DISTANCE

SECTION B - B

REV:	DATE:	DESCRIPTION:	DRN BY	DESCRIPTION:	
1	18.12.13	All X-One-C drawings revised	DL	Linear Motor ventilated uPVC upstand fixed direct to insulated roof with triple skin polycarbonate dome and standard security screws. Vent actuated via chain driven actuator(s) - quantity and voltage to be confirmed on order placement.	
0	22.03.12	Issued for approval / comments	IW		
DRAWN BY:		CREATION DATE:	CHECKED BY:	SCALE(S)	REVISION:
IW		18-Dec-13	DL	1:5 @ A3	1
Xtralite (Rooflights) Limited Spencer Road, Blyth Industrial Estate, Blyth, Northumberland, NE24 5TG T:01670 354 157 F:01670 364 875 E:sales@xtralite.co.uk W:www.xtralite.co.uk					



DRG No.
XT-X1-C-06-SS