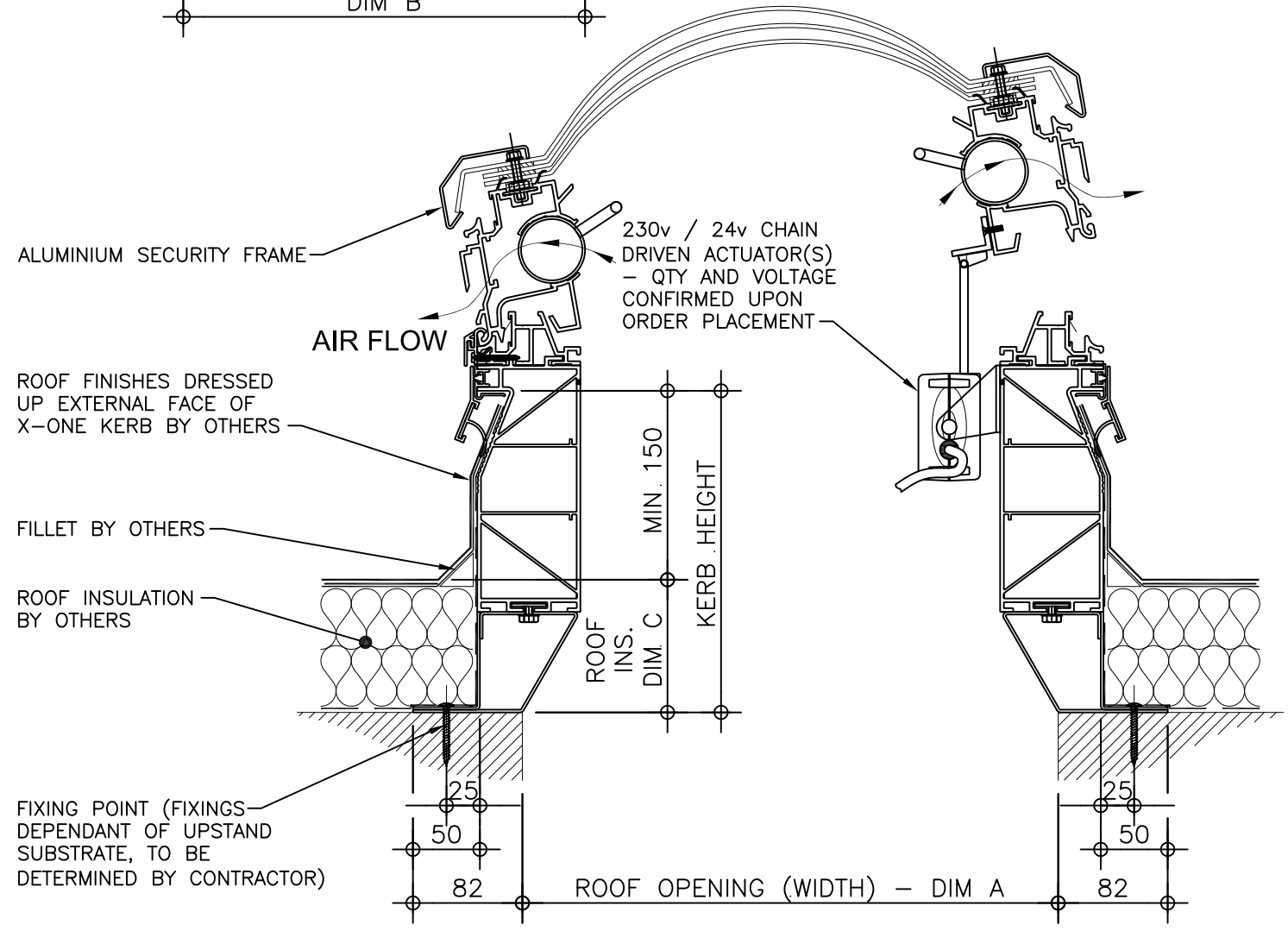


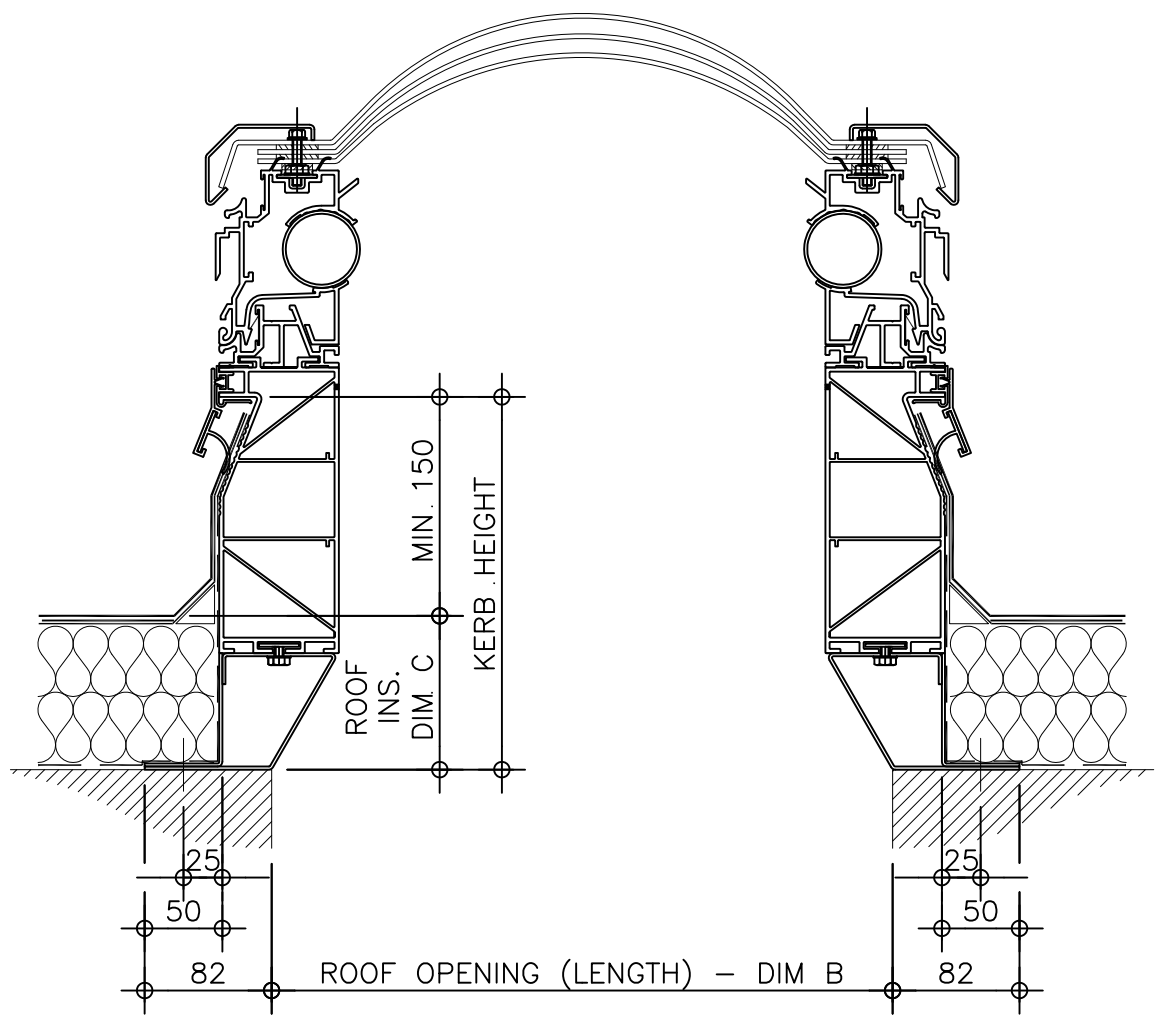
**PLAN ON MODULAR ROOFLIGHT**

**Kerb Specification:**  
 The X-One rooflight kerb is constructed from extruded uPVC sections, white in colour.  
 Metal foot polyester powder coated:-  
 Colour: White  
 RAL: 9910 Gloss

**Typical Glazing Specification:**  
 Outer - 3mm thick clear UV protected polycarbonate  
 Mid - 2mm thick clear polycarbonate  
 Inner - 3mm thick clear polycarbonate



**SECTION A - A**



**SECTION B - B**

REV:	DATE:	DESCRIPTION:	DRN BY	DESCRIPTION:		
1	18.12.13	All X-One-A drawings revised	DL	Rotary & Linear Motor ventilated uPVC upstand with flexible base kerb, fixed direct to roof with triple skin polycarbonate dome and security frame. Vent actuated via chain driven actuator(s) - quantity and voltage to be confirmed on order placement.		
0	22.03.12	Issued for approval / comments	IW			
		DRAWN BY:	CREATION DATE:	CHECKED BY:	SCALE(S)	REVISION:
		IW	18-Dec-13	DL	1:5 @ A3	1
				<b>Xtralite (Rooflights) Limited</b>		DRG No.
				Spencer Road, Blyth Industrial Estate, Blyth, Northumberland, NE24 5TG		XT-X1-A-0602-SF
				T:01670 354 157 F:01670 364 875 E:sales@xtralite.co.uk W:www.xtralite.co.uk		

