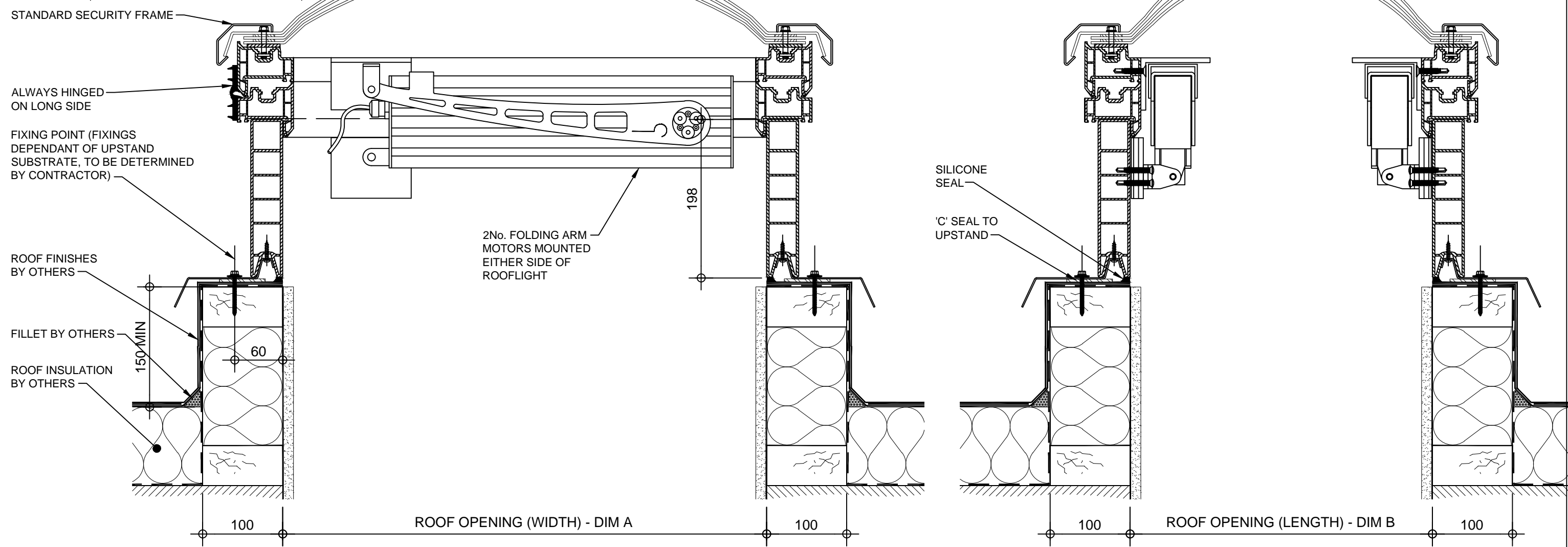


Kerb Specification:
 X2V kerb constructed from self finish white uPVC

Typical Glazing Specification:
 Outer - 3mm thick clear UV protected polycarbonate
 Mid - 2mm thick clear polycarbonate
 Inner - 3mm thick clear polycarbonate



SECTION A - A

SECTION B - B

REV:	DATE:	DESCRIPTION:	DRN BY	DESCRIPTION:
1	13.12.13	Upstand details revised	IW	200mm high uPVC X2V adaptor kerb upstand with 140° electrically operated automatic opening vent. Triple skin polycarbonate dome and security frame, Vent actuated via 2No folding arm motors.
0	20.09.12	New modular drawings released	IW	
				DRAWN BY: IW
				CREATION DATE: 13-Dec-13
				CHECKED BY:
				SCALE(S): 1:5 @ A3
				REVISION: 1
<p>Xtralite (Rooflights) Limited Spencer Road, Blyth Industrial Estate, Blyth, Northumberland, NE24 5TG T:01670 354 157 F:01670 364 875 E:sales@xtralite.co.uk W:www.xtralite.co.uk</p>				

Xtralite
 ROOFLIGHTS

DRG No.
 XT-X2V-D-05-140-FA2-SF