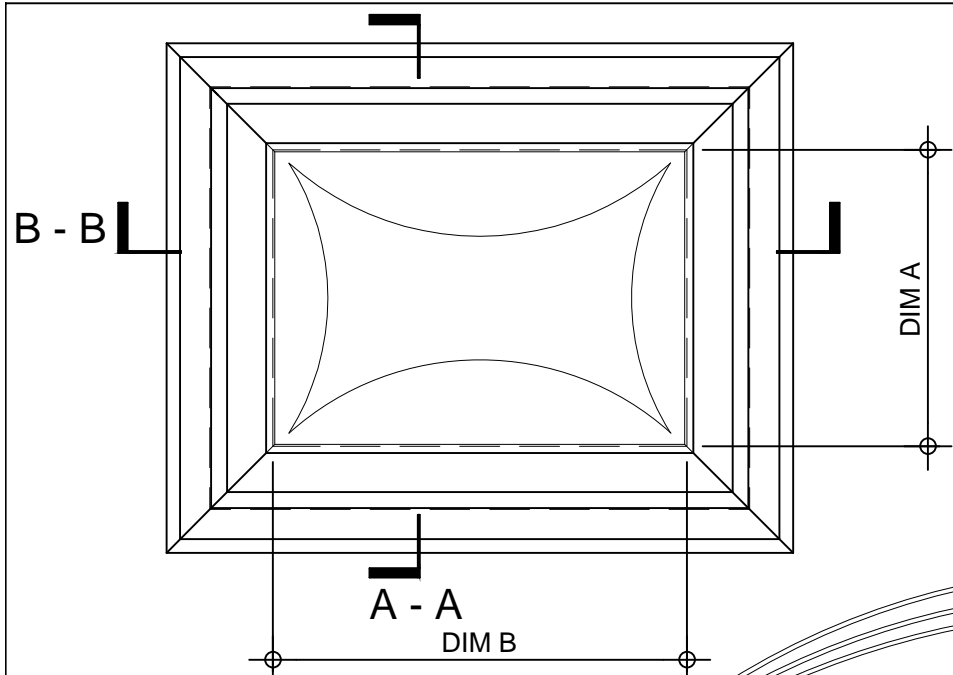


Kerb Specification:
 X2V kerb constructed from self finish white uPVC

Typical Glazing Specification:
 Outer - 3mm thick clear UV protected polycarbonate
 Mid - 2mm thick clear polycarbonate
 Inner - 3mm thick clear polycarbonate



PLAN ON MODULAR ROOFLIGHT

STANDARD SECURITY FRAME

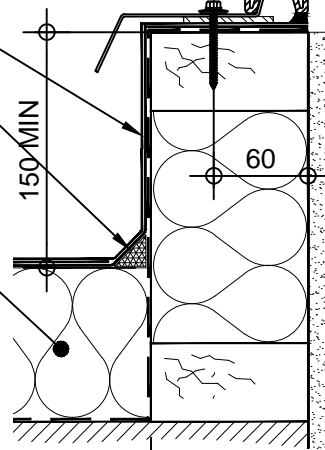
ALWAYS HINGED ON LONG SIDE

FIXING POINT (FIXINGS DEPENDANT OF UPSTAND SUBSTRATE, TO BE DETERMINED BY CONTRACTOR)

ROOF FINISHES BY OTHERS

FILLET BY OTHERS

ROOF INSULATION BY OTHERS



CENTRAL MOTORS TO BE COMPLETE WITH COVER BOX

1No. CONCEALED CENTRAL FOLDING ARM MOTOR

198

SILICONE SEAL

'C' SEAL TO UPSTAND

100 ROOF OPENING (WIDTH) - DIM A

100

100

100 ROOF OPENING (LENGTH) - DIM B

100

SECTION A - A

SECTION B - B

REV:	DATE:	DESCRIPTION:	DRN BY	DESCRIPTION:
1	13.12.13	Upstand details revised	IW	200mm high uPVC X2V adaptor kerb upstand with 140° electrically operated automatic opening vent. Triple skin polycarbonate dome and security frame, Vent actuated via 1No concealed centrally located folding arm motor.
0	20.09.12	New modular drawings released	IW	
				DRAWN BY: IW
				CREATION DATE: 13-Dec-13
				CHECKED BY:
				SCALE(S): 1:5 @ A3
				REVISION: 1
				Xtralite (Rooflights) Limited
				Spencer Road, Blyth Industrial Estate, Blyth, Northumberland, NE24 5TG
				T:01670 354 157 F:01670 364 875 E:sales@xtralite.co.uk W:www.xtralite.co.uk



DRG No.
 XT-X2V-D-05-140-FA1-CM-SF