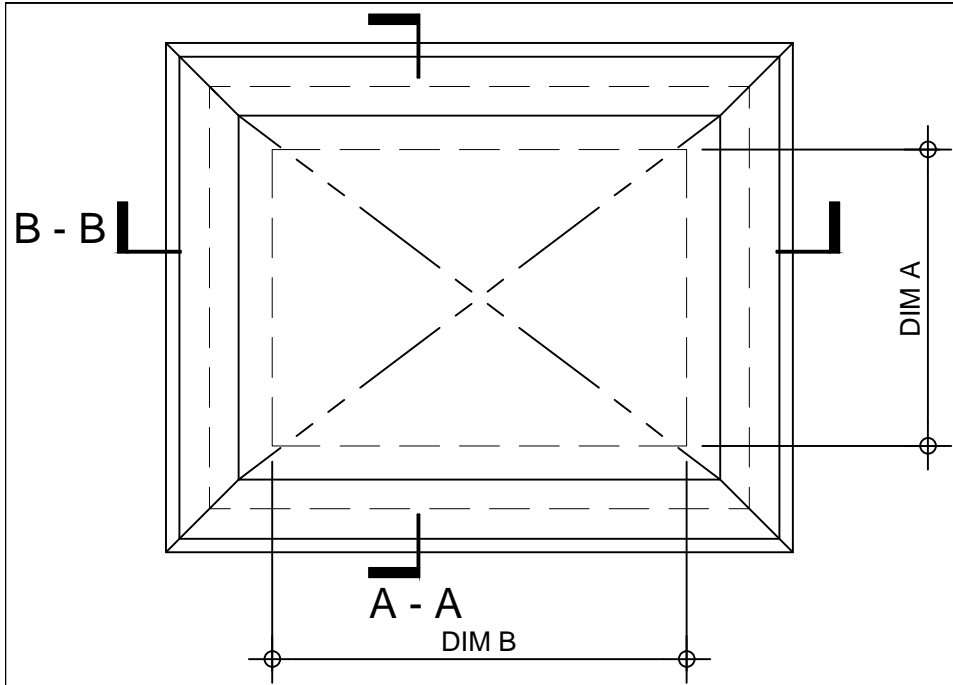
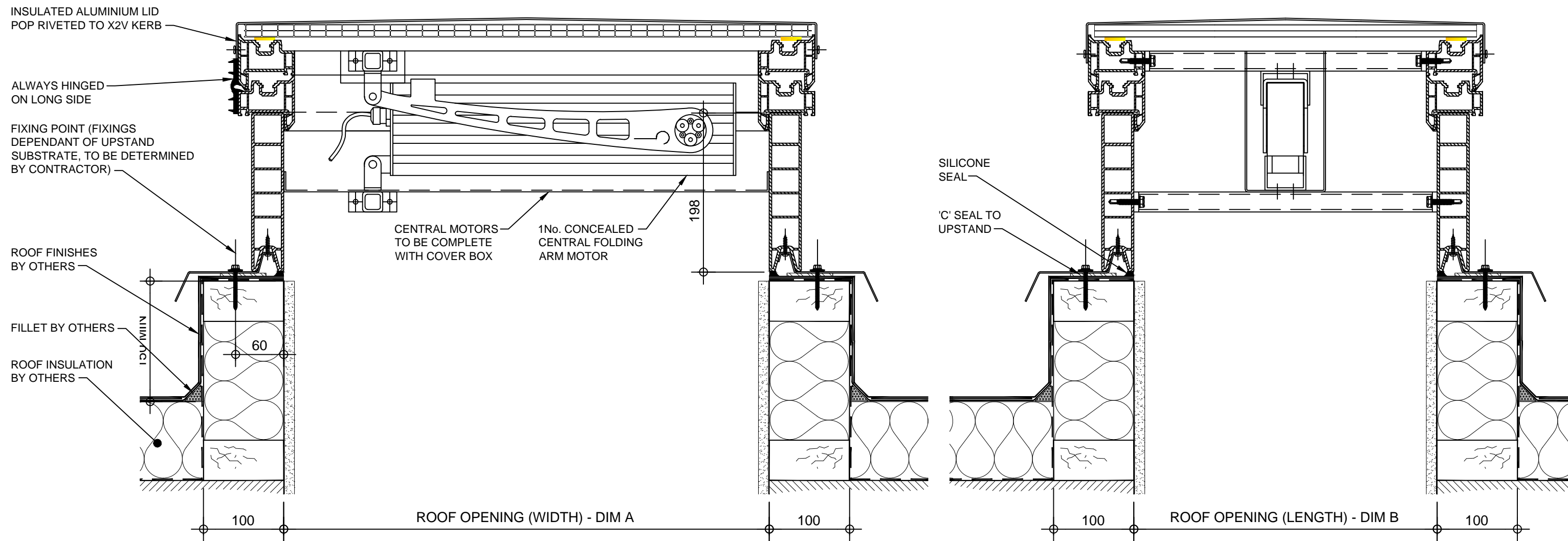


Kerb Specification:
 X2V kerb constructed from self finish
 white uPVC

Typical Glazing Specification:
 2mm thick polyester powder coated aluminium
 with 16mm structured polycarbonate internal liner



PLAN ON MODULAR ROOFLIGHT



SECTION A - A

SECTION B - B

REV:	DATE:	DESCRIPTION:	DRN BY	DESCRIPTION:
1	13.12.13	Upstand details revised	IW	200mm high uPVC X2V adaptor kerb upstand with 140° electrically operated automatic opening vent and insulated solid lid. Vent actuated via 1No concealed centrally located folding arm motor.
0	20.09.12	New modular drawings released	IW	
				DRAWN BY: IW
				CREATION DATE: 13-Dec-13
				CHECKED BY:
				SCALE(S): 1:5 @ A3
				REVISION: 1
				Xtralite (Rooflights) Limited
				Spencer Road, Blyth Industrial Estate, Blyth, Northumberland, NE24 5TG
				T:01670 354 157 F:01670 364 875 E:sales@xtralite.co.uk W:www.xtralite.co.uk



DRG No.
 XT-X2V-D-05-140-FA1-CM-ISL