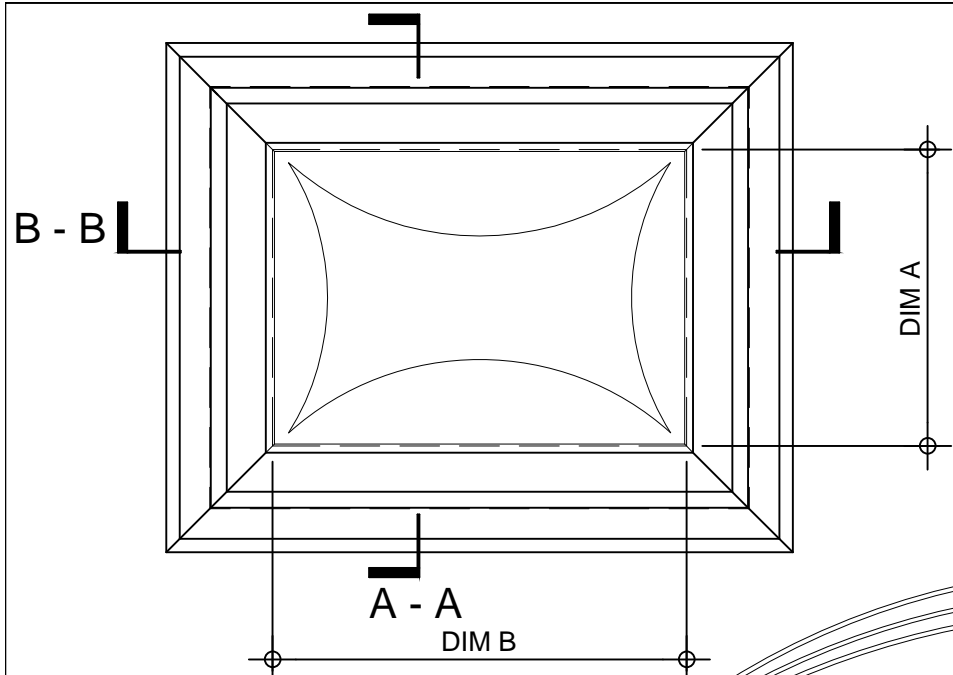


Kerb Specification:  
 X2V kerb constructed from self finish  
 white uPVC

Typical Glazing Specification:  
 Outer - 3mm thick clear UV protected  
 polycarbonate  
 Mid - 2mm thick clear polycarbonate  
 Inner - 3mm thick clear polycarbonate



PLAN ON MODULAR  
ROOFLIGHT

STANDARD SECURITY FRAME

ALWAYS HINGED  
ON LONG SIDE

FIXING POINT (FIXINGS  
DEPENDANT OF UPSTAND  
SUBSTRATE, TO BE DETERMINED  
BY CONTRACTOR)

ROOF FINISHES  
BY OTHERS

FILLET BY OTHERS

ROOF INSULATION  
BY OTHERS

150 MIN

100

ROOF OPENING (WIDTH) - DIM A

1No. CENTRAL  
FOLDING ARM MOTOR

198

SILICONE  
SEAL

'C' SEAL TO  
UPSTAND

100

100

ROOF OPENING (LENGTH) - DIM B

100

SECTION A - A

SECTION B - B

REV:	DATE:	DESCRIPTION:	DRN BY	DESCRIPTION:
1	13.12.13	Upstand details revised	IW	200mm high uPVC X2V adaptor kerb upstand with 140° electrically operated automatic opening vent. Triple skin polycarbonate dome and security frame, Vent actuated via 1No centrally located folding arm motor.
0	20.09.12	New modular drawings released	IW	
				DRAWN BY: IW
				CREATION DATE: 13-Dec-13
				CHECKED BY:
				SCALE(S) 1:5 @ A3
				REVISION: 1
				<b>Xtralite (Rooflights) Limited</b>
				Spencer Road, Blyth Industrial Estate, Blyth, Northumberland, NE24 5TG
				T:01670 354 157 F:01670 364 875 E:sales@xtralite.co.uk W:www.xtralite.co.uk



DRG No.  
 XT-X2V-D-05-140-FA1-SF