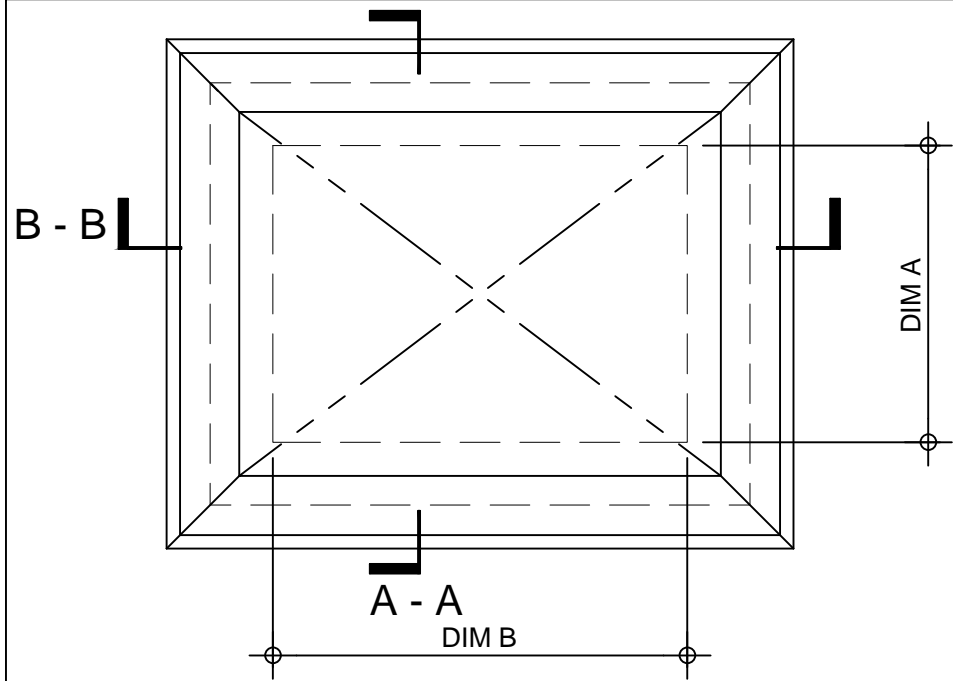


Kerb Specification:  
X2V kerb constructed from self finish white uPVC

Typical Glazing Specification:  
2mm thick polyester powder coated aluminium with 16mm structured polycarbonate internal liner



PLAN ON MODULAR ROOFLIGHT

INSULATED ALUMINIUM LID POP RIVETED TO X2V KERB

ALWAYS HINGED ON LONG SIDE

FIXING POINT (FIXINGS DEPENDANT OF UPSTAND SUBSTRATE, TO BE DETERMINED BY CONTRACTOR)

ROOF FINISHES BY OTHERS

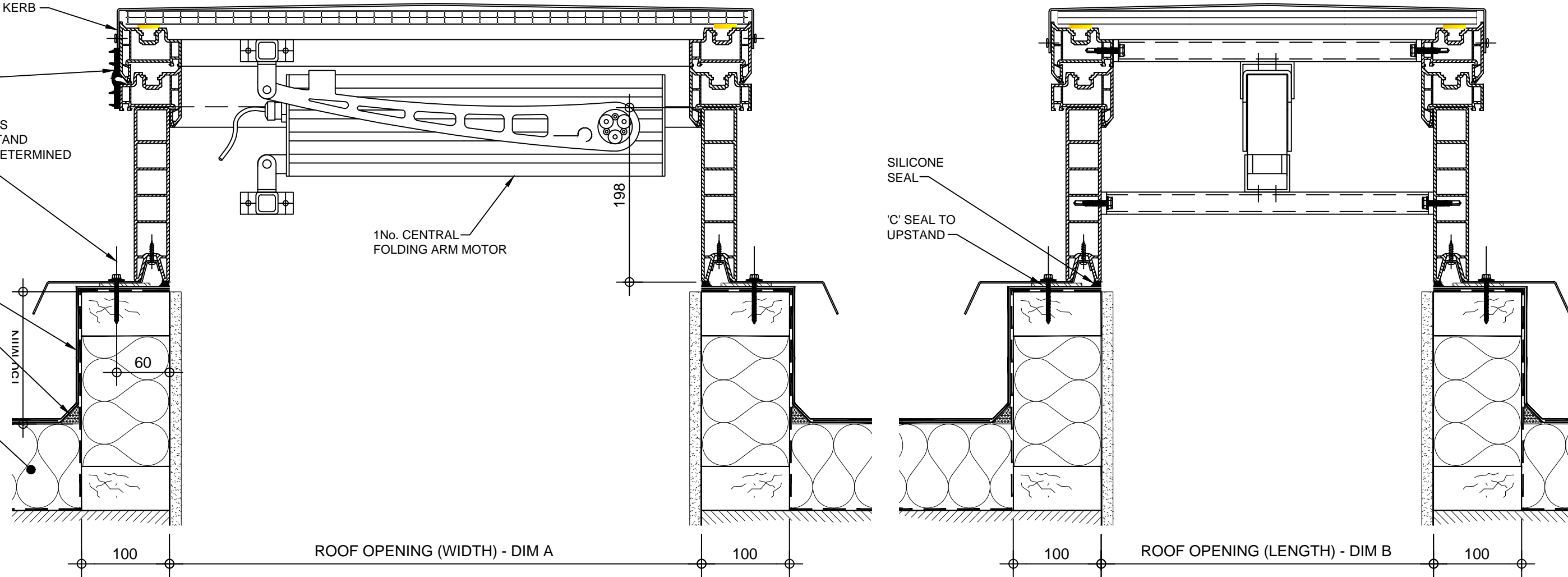
FILLET BY OTHERS

ROOF INSULATION BY OTHERS

1No. CENTRAL FOLDING ARM MOTOR

SILICONE SEAL

'C' SEAL TO UPSTAND



ROOF OPENING (WIDTH) - DIM A

ROOF OPENING (LENGTH) - DIM B

REV:	DATE:	DESCRIPTION:	DRN BY	DESCRIPTION:
1	13.12.13	Upstand details revised	IW	200mm high uPVC X2V adaptor kerb upstand with 140° electrically operated automatic opening vent and insulated solid lid. Vent actuated via 1No centrally located folding arm motor.
0	20.09.12	New modular drawings released	IW	
				DRAWN BY: IW
				CREATION DATE: 13-Dec-13
				CHECKED BY:
				SCALE(S): 1:5 @ A3
				REVISION: 1
				<b>Xtralite (Rooflights) Limited</b>
				Spencer Road, Blyth Industrial Estate, Blyth, Northumberland, NE24 5TG
				T:01670 354 157 F:01670 364 875 E:sales@xtralite.co.uk W:www.xtralite.co.uk



DRG No.  
XT-X2V-D-05-140-FA1-ISL