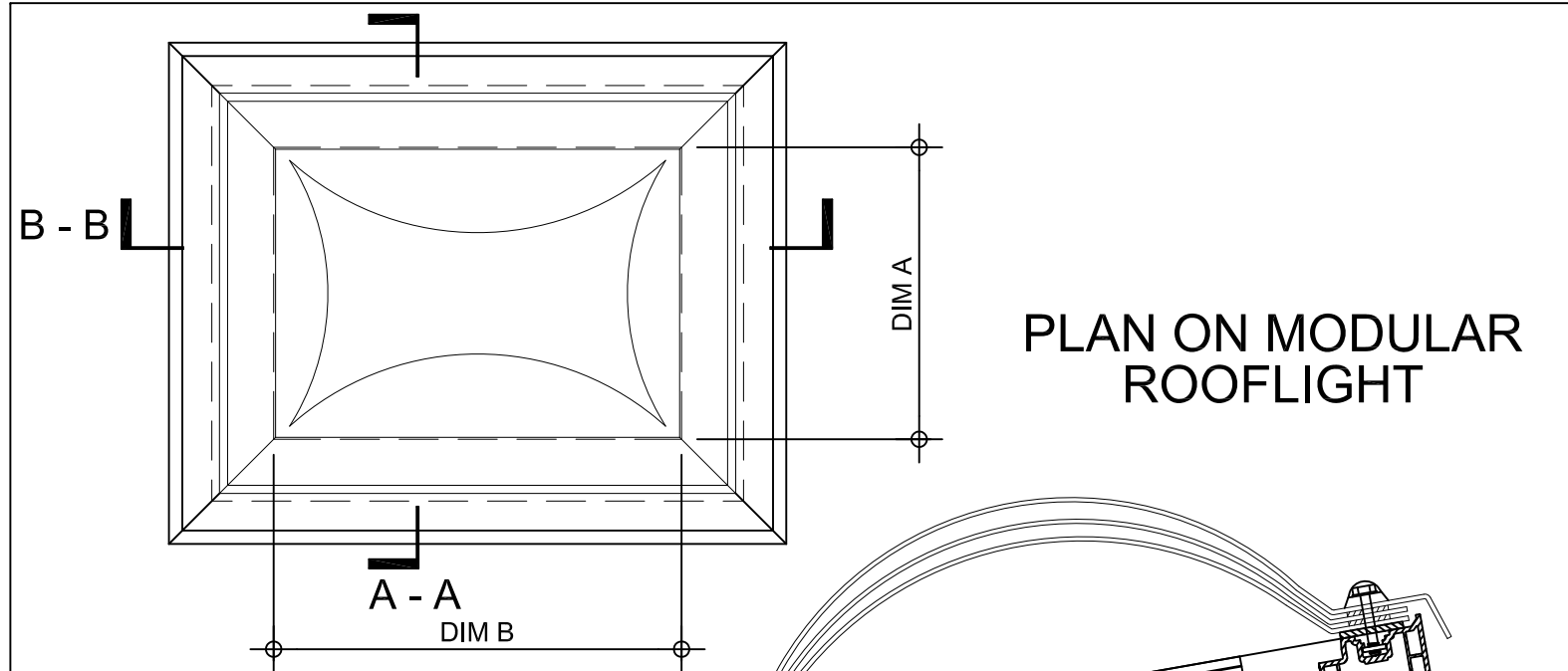


Kerb Specification:
 X2V kerb constructed from self finish white uPVC

Typical Glazing Specification:
 Outer - 3mm thick clear UV protected polycarbonate
 Mid - 2mm thick clear polycarbonate
 Inner - 3mm thick clear polycarbonate



STANDARD SECURITY SCREWS COMPLETE WITH COVER CAP

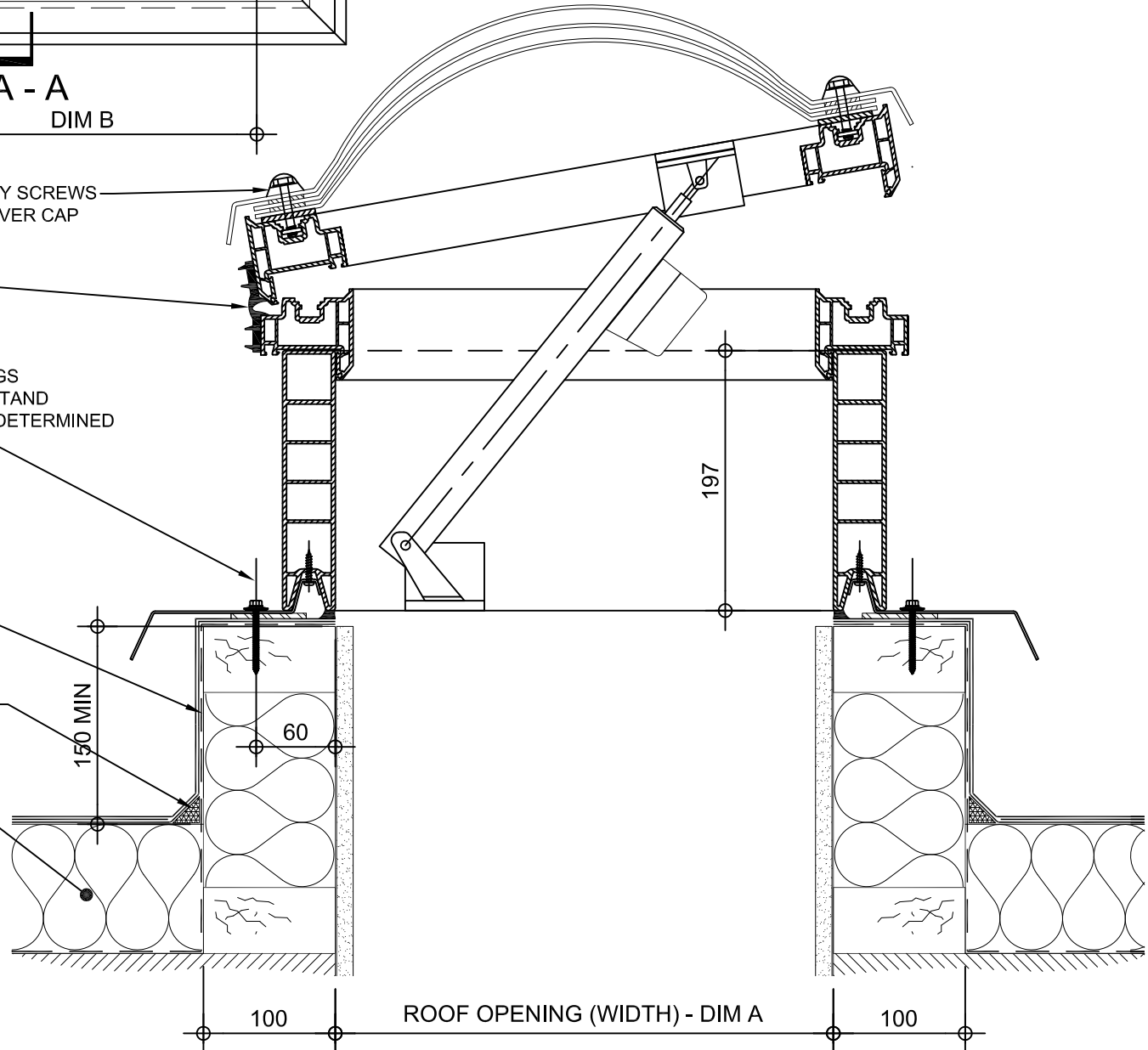
ALWAYS HINGED ON LONG SIDE

FIXING POINT (FIXINGS DEPENDANT OF UPSTAND SUBSTRATE, TO BE DETERMINED BY CONTRACTOR)

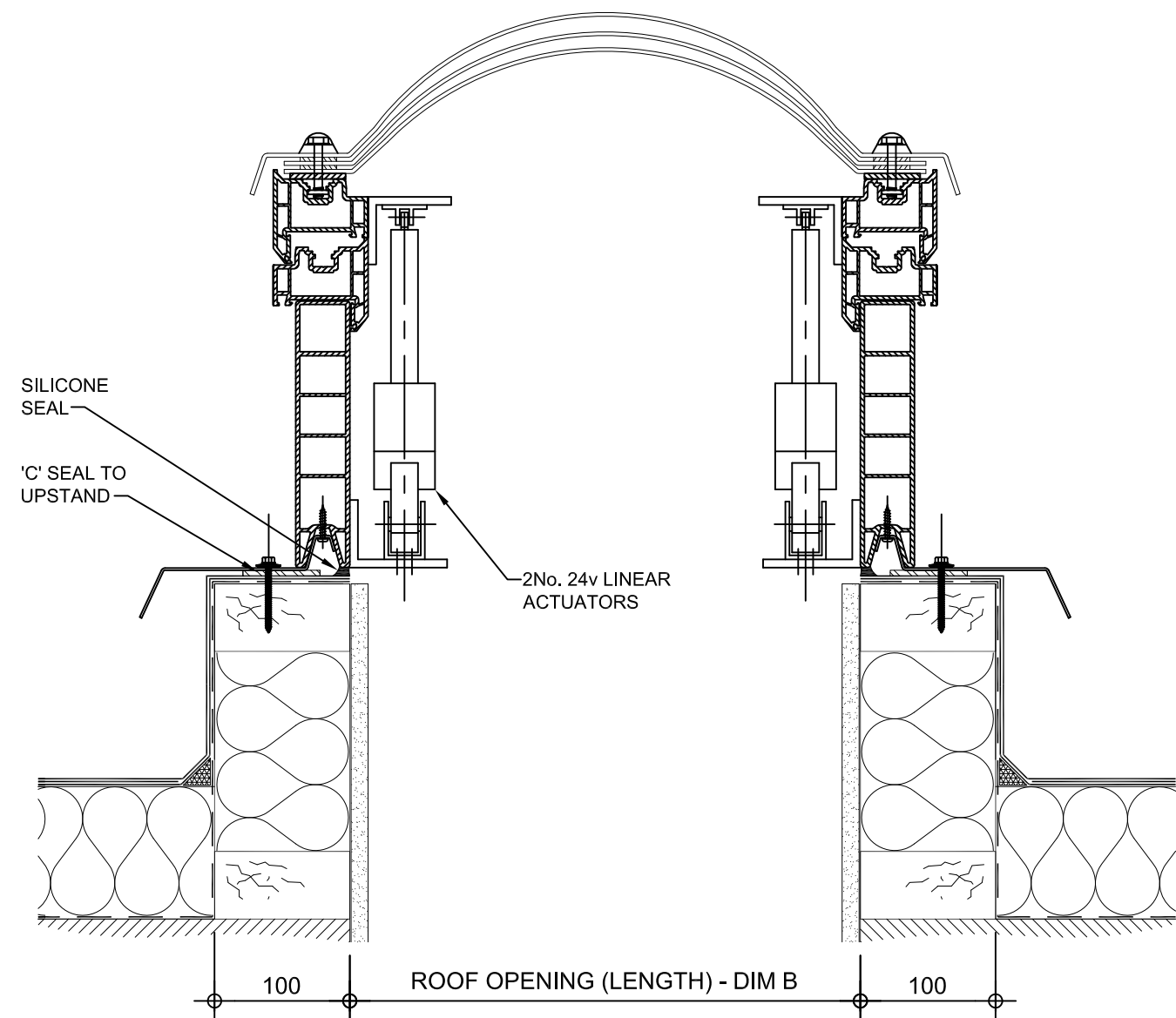
ROOF FINISHES BY OTHERS

FILLET BY OTHERS

ROOF INSULATION BY OTHERS



SECTION A - A



SECTION B - B

REV:	DATE:	DESCRIPTION:	DRN BY
1	13.12.13	Upstand details revised	IW
0	20.09.12	New modular drawings released	IW

DESCRIPTION: 200mm high uPVC X2V adaptor kerb upstand with 90° electrically operated automatic opening vent, Triple skin polycarbonate dome and standard security fixings.				
DRAWN BY:	CREATION DATE:	CHECKED BY:	SCALE(S)	REVISION:
IW	13-Dec-13		1:5 @ A3	1
Xtralite (Rooflights) Limited				
Spencer Road, Blyth Industrial Estate, Blyth, Northumberland, NE24 5TG				
T:01670 354 157 F:01670 364 875 E:sales@xtralite.co.uk W:www.xtralite.co.uk				

Xtralite ROOFLIGHTS

DRG No.
XT-X2V-D-05-90-SS