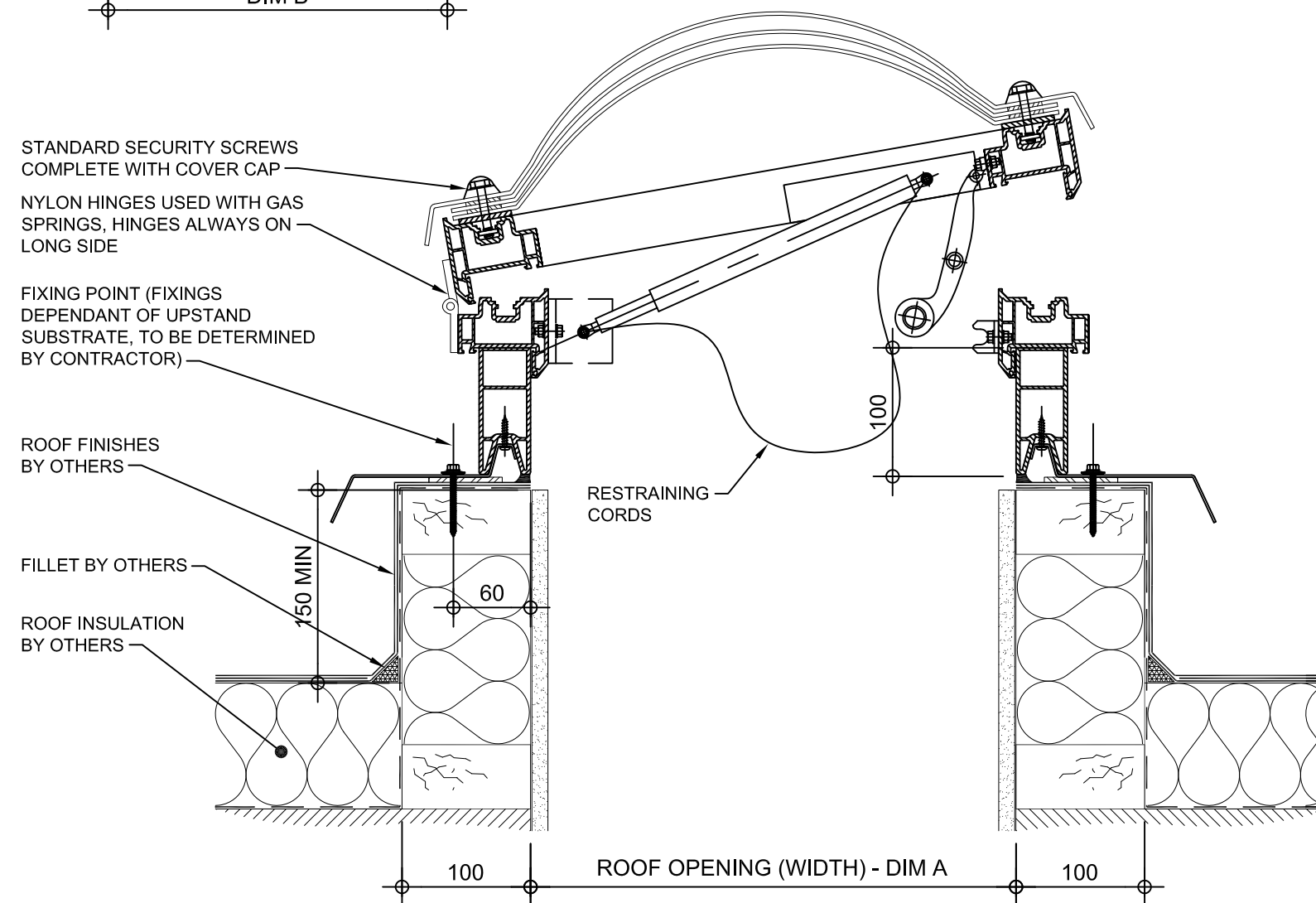
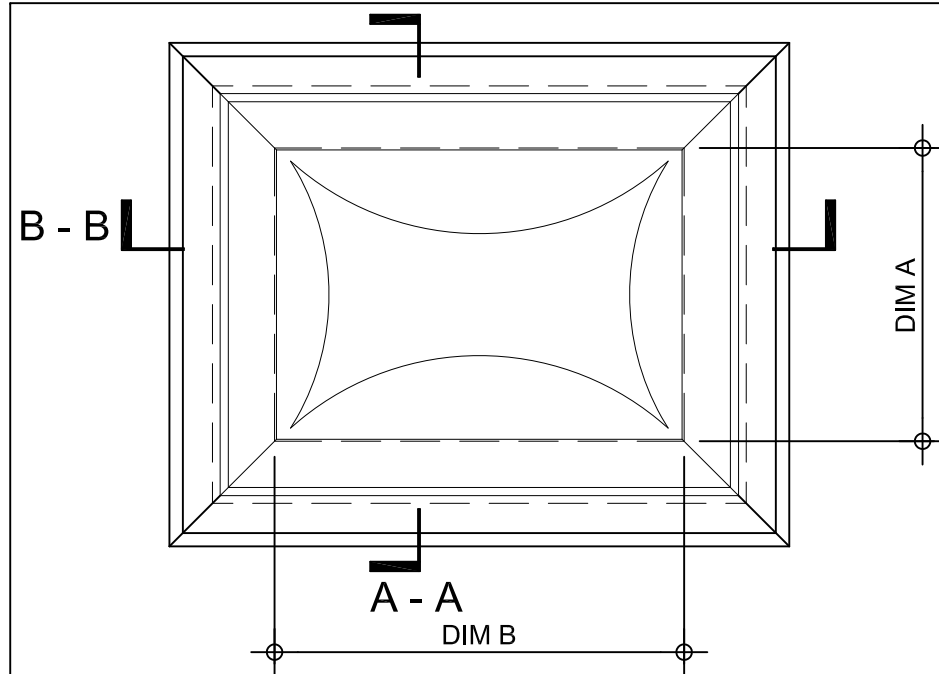
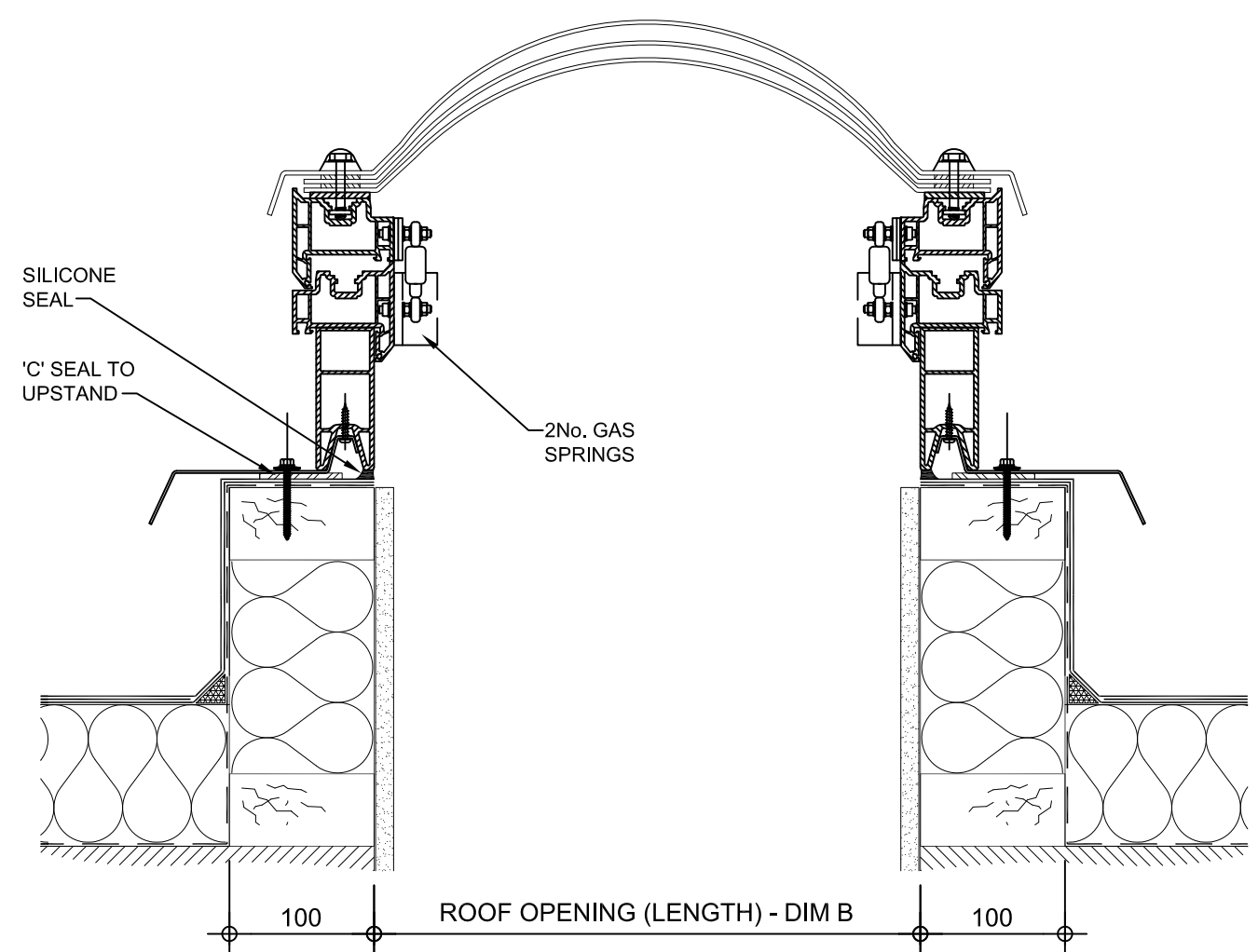


**Kerb Specification:**  
 X2V kerb constructed from self finish white uPVC

**Typical Glazing Specification:**  
 Outer - 3mm thick clear UV protected polycarbonate  
 Mid - 2mm thick clear polycarbonate  
 Inner - 3mm thick clear polycarbonate



SECTION A - A



SECTION B - B

REV:	DATE:	DESCRIPTION:	DRN BY	DESCRIPTION:					
1	13.12.13	Upstand details revised	IW	100mm high uPVC X2V adaptor kerb upstand. Access hatch with gas spring opening, Triple skin polycarbonate dome and standard security fixings.					
0	20.09.12	New modular drawings released	IW						
				DRAWN BY:	CREATION DATE:	CHECKED BY:	SCALE(S)	REVISION:	
				IW	19-Dec-13		1:5 @ A3	1	
				<b>Xtralite (Rooflights) Limited</b> Spencer Road, Blyth Industrial Estate, Blyth, Northumberland, NE24 5TG T:01670 354 157 F:01670 364 875 E:sales@xtralite.co.uk W:www.xtralite.co.uk				DRG No. <b>XT-X2V-D-04G-SS</b>	