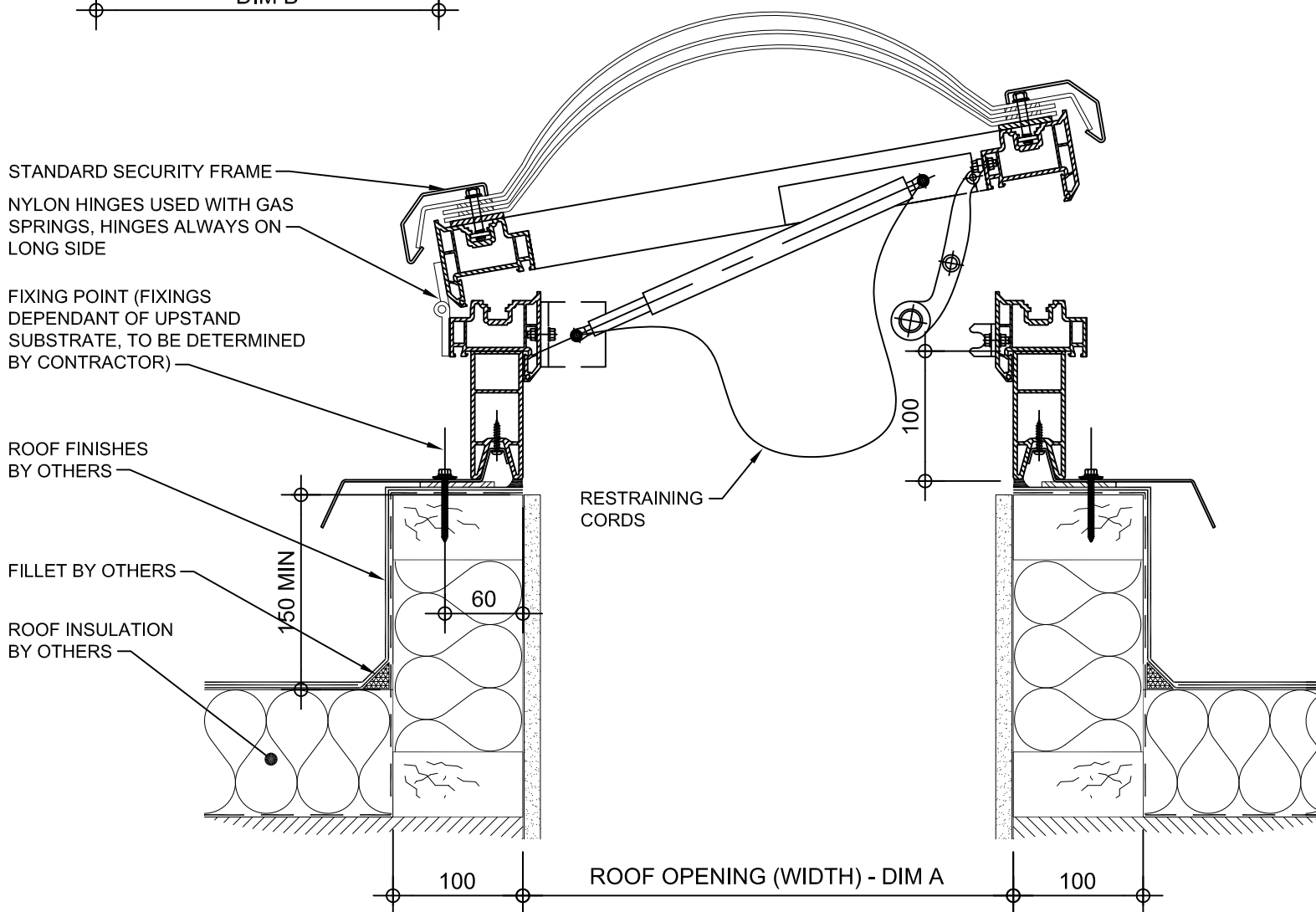


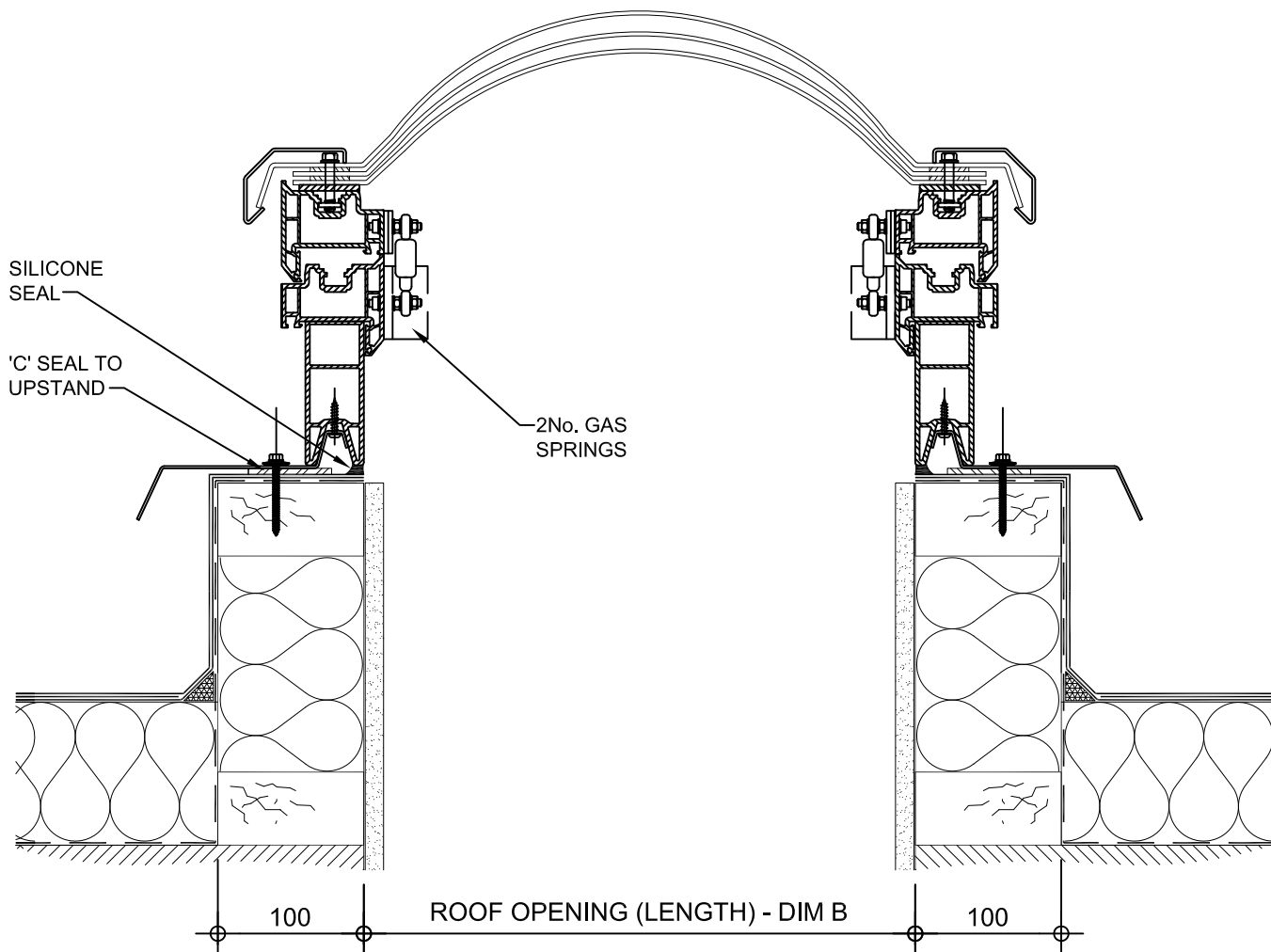
PLAN ON MODULAR ROOFLIGHT

Kerb Specification:
 X2V kerb constructed from self finish white uPVC

Typical Glazing Specification:
 Outer - 3mm thick clear UV protected polycarbonate
 Mid - 2mm thick clear polycarbonate
 Inner - 3mm thick clear polycarbonate



SECTION A - A



SECTION B - B

REV:	DATE:	DESCRIPTION:	DRN BY	DESCRIPTION:
1	13.12.13	Upstand details revised	IW	100mm high uPVC X2V adaptor kerb upstand. Access hatch with gas spring opening, Triple skin polycarbonate dome and security frame.
0	20.09.12	New modular drawings released	IW	
				DRAWN BY: IW
				CREATION DATE: 19-Dec-13
				CHECKED BY:
				SCALE(S): 1:5 @ A3
				REVISION: 1
				Xtralite (Rooflights) Limited Spencer Road, Blyth Industrial Estate, Blyth, Northumberland, NE24 5TG T:01670 354 157 F:01670 364 875 E:sales@xtralite.co.uk W:www.xtralite.co.uk

Xtralite ROOFLIGHTS

DRG No.
XT-X2V-D-04G-SF