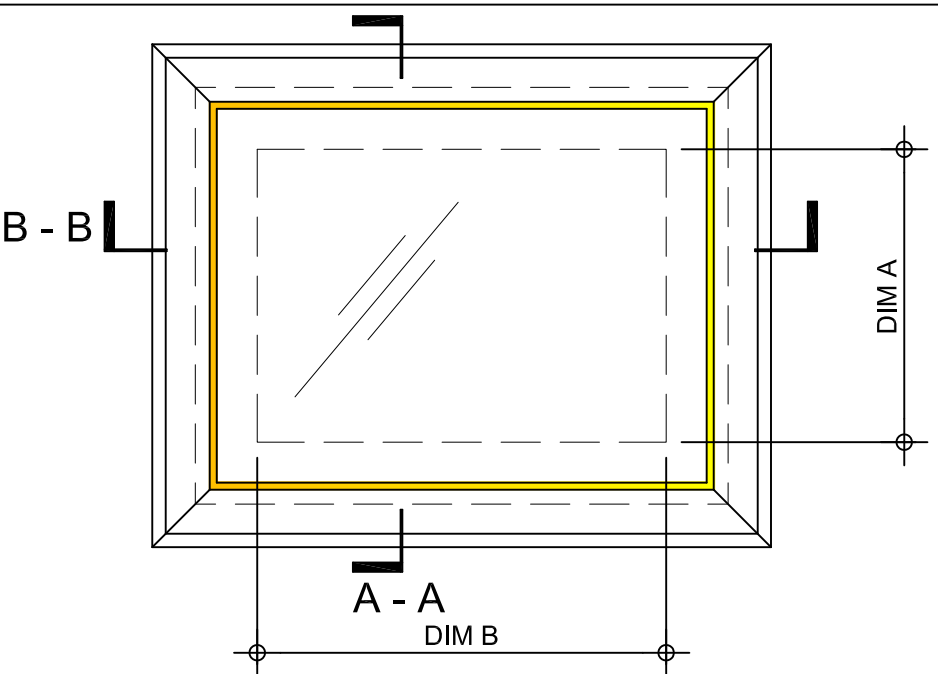


**Kerb Specification:**  
 X2V kerb constructed from self finish white uPVC

**Typical Glazing Specification:**  
 Outer - 6mm thick clear toughened glass  
 Core - 16mm thick air filled cavity  
 Inner - 6.4mm thick clear laminated low 'E' glass



GLASS FULLY SILICONE SEALED INTO 'T' SECTION FRAME

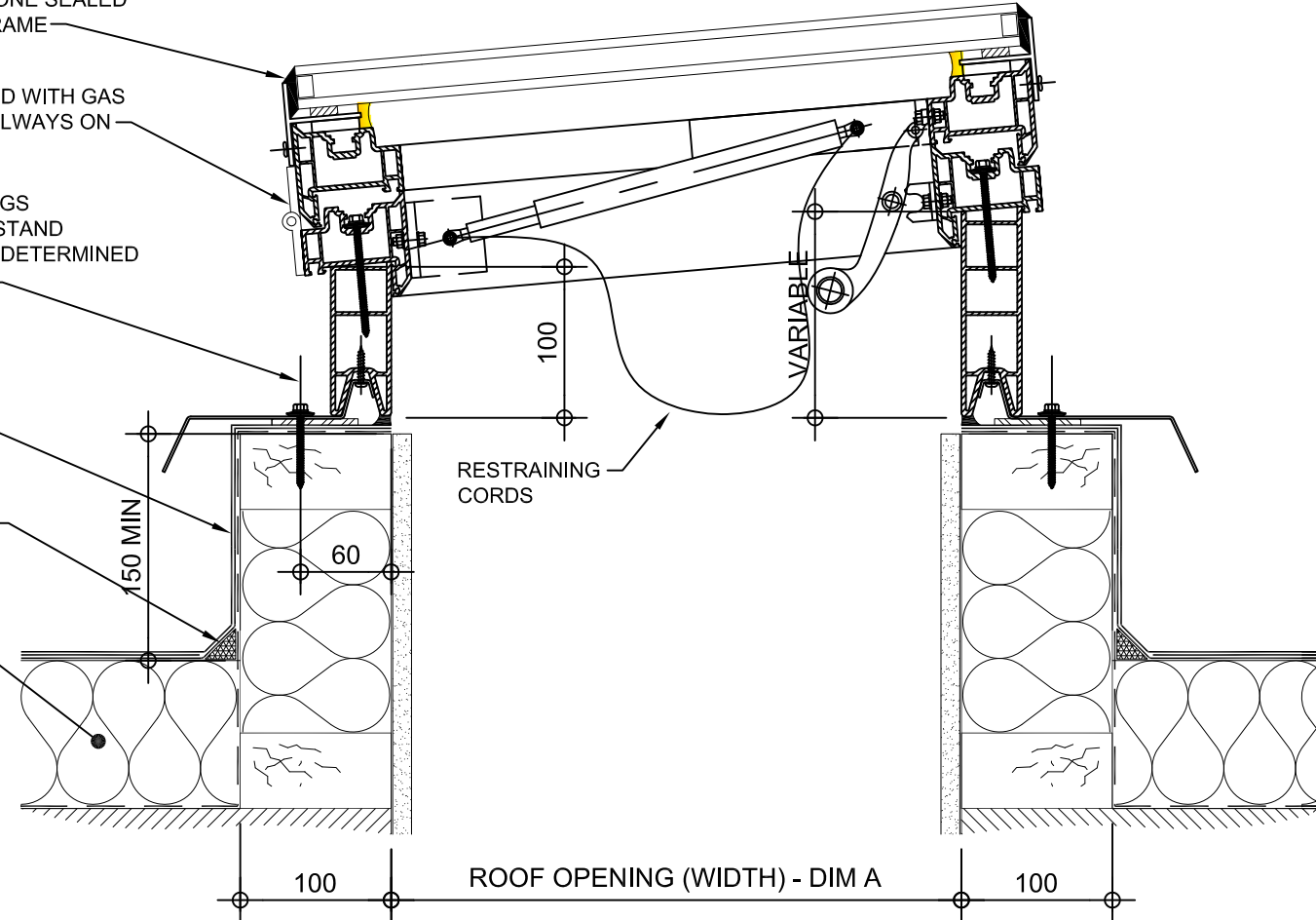
NYLON HINGES USED WITH GAS SPRINGS, HINGES ALWAYS ON LONG SIDE

FIXING POINT (FIXINGS DEPENDANT OF UPSTAND SUBSTRATE, TO BE DETERMINED BY CONTRACTOR)

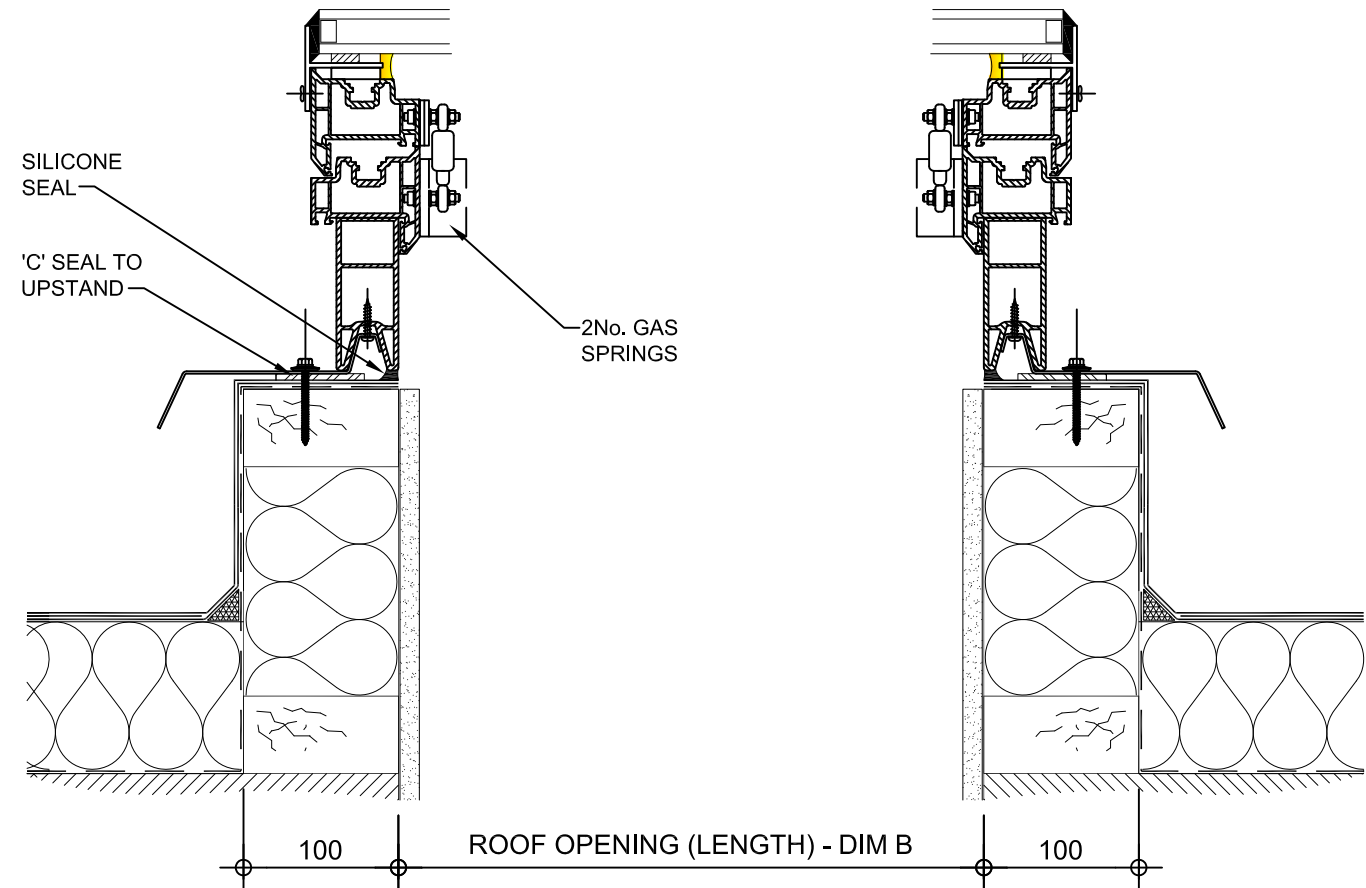
ROOF FINISHES BY OTHERS

FILLET BY OTHERS

ROOF INSULATION BY OTHERS



SECTION A - A



SECTION B - B

REV:	DATE:	DESCRIPTION:	DRN BY	DESCRIPTION:
1	13.12.13	Upstand details revised	IW	100mm high uPVC X2V adaptor kerb upstand. Access hatch with gas spring opening and double glazed pitched glass top.
0	20.09.12	New modular drawings released	IW	
				DRAWN BY: IW
				CREATION DATE: 19-Dec-13
				CHECKED BY:
				SCALE(S): 1:5 @ A3
				REVISION: 1
				<b>Xtralite (Rooflights) Limited</b>
				Spencer Road, Blyth Industrial Estate, Blyth, Northumberland, NE24 5TG
				T:01670 354 157 F:01670 364 875 E:sales@xtralite.co.uk W:www.xtralite.co.uk

**Xtralite**  
ROOFLIGHTS

DRG No.  
XT-X2V-D-04G-IGLP