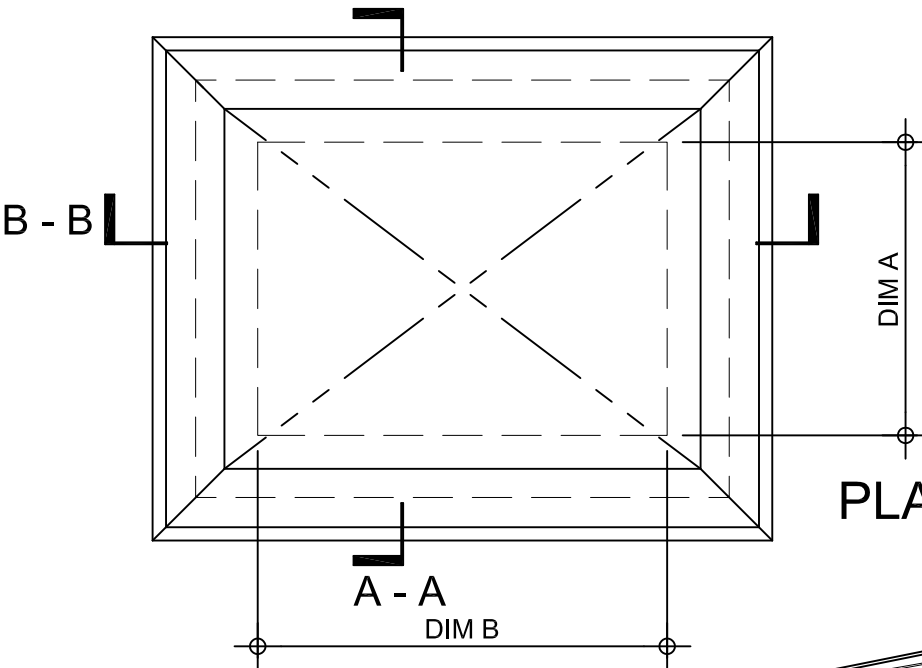
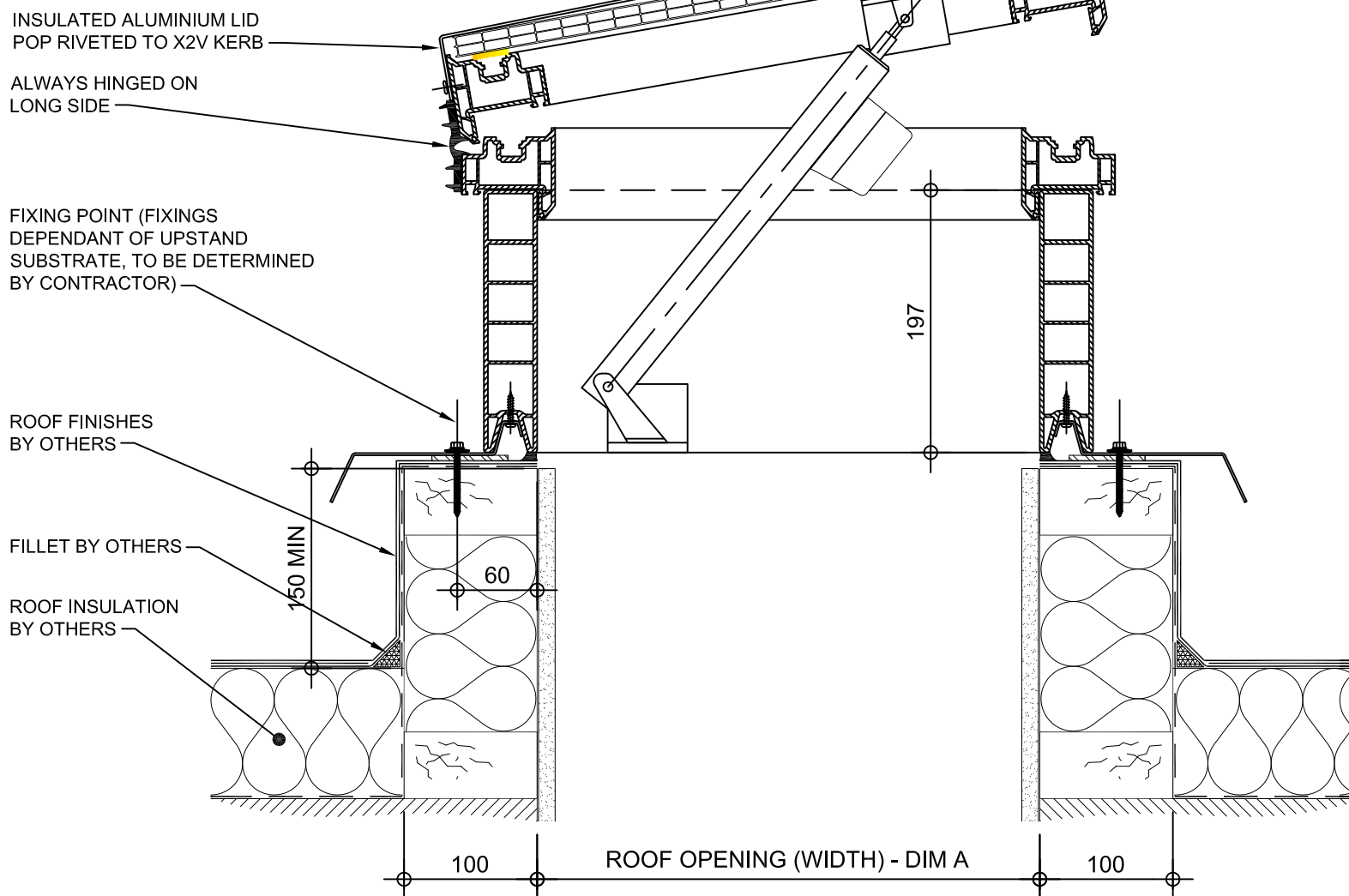


Kerb Specification:
 X2V kerb constructed from self finish white uPVC

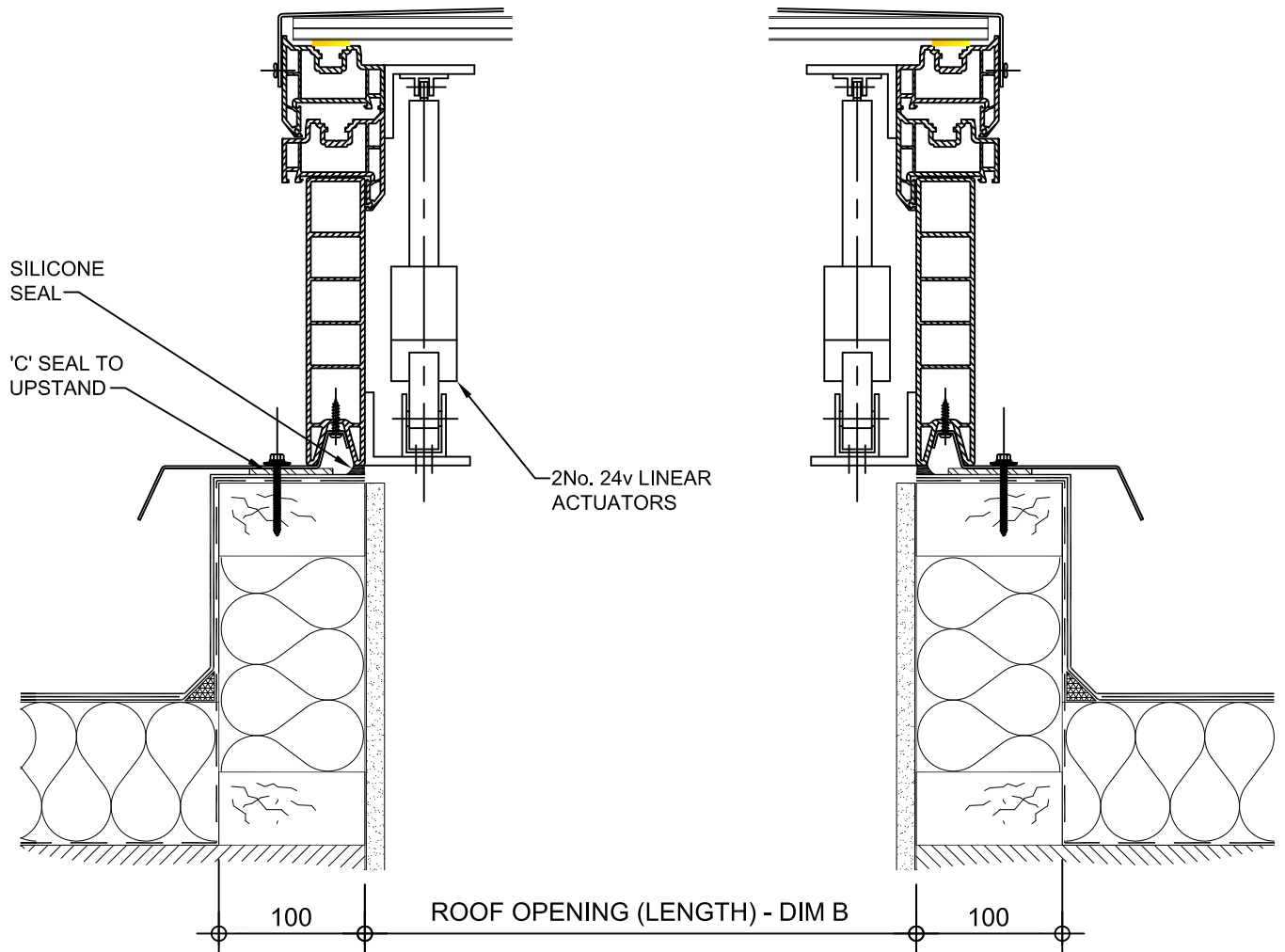
Typical Glazing Specification:
 2mm thick polyester powder coated aluminium with 16mm structured polycarbonate internal liner



PLAN ON MODULAR ROOFLIGHT



SECTION A - A



SECTION B - B

REV:	DATE:	DESCRIPTION:	DRN BY
1	13.12.13	Upstand details revised	IW
0	20.09.12	New modular drawings released	IW

DESCRIPTION: 200mm high uPVC X2V adaptor kerb upstand, Access hatch with electrically operated opening vent & insulated solid lid.				
DRAWN BY:	CREATION DATE:	CHECKED BY:	SCALE(S)	REVISION:
IW	13-Dec-13		1:5 @ A3	1
Xtralite (Rooflights) Limited Spencer Road, Blyth Industrial Estate, Blyth, Northumberland, NE24 5TG T:01670 354 157 F:01670 364 875 E:sales@xtralite.co.uk W:www.xtralite.co.uk				

DRG No.
XT-X2V-D-04E-ISL