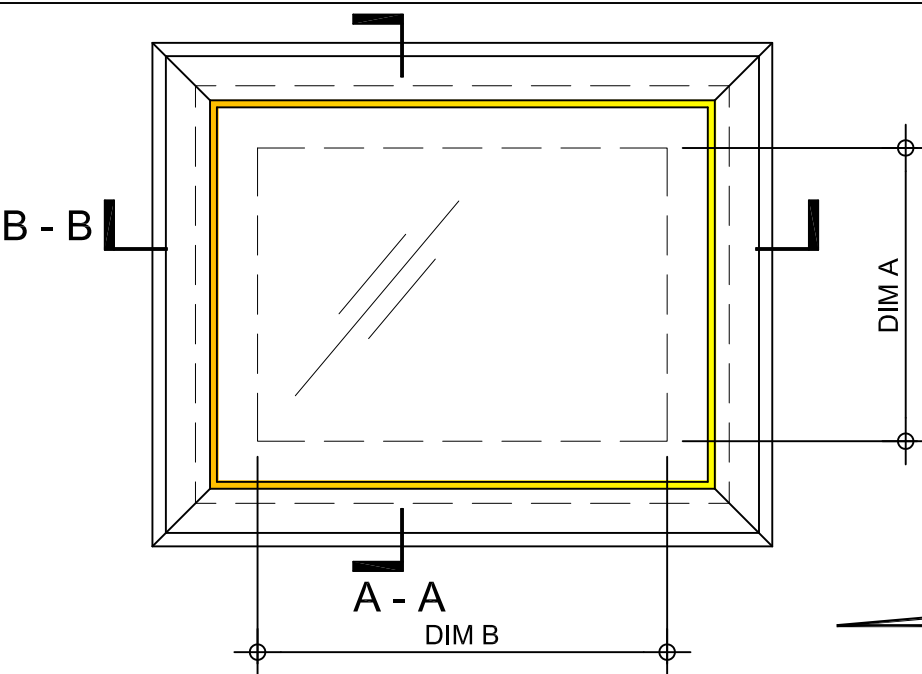


Kerb Specification:
 X2V kerb constructed from self finish white uPVC

Typical Glazing Specification:
 Outer - 6mm thick clear toughened glass
 Core - 16mm thick air filled cavity
 Inner - 6.4mm thick clear laminated low 'E' glass



PLAN ON MODULAR ROOFLIGHT



GLASS FULLY SILICONE SEALED INTO 'T' SECTION FRAME
 ALWAYS HINGED ON LONG SIDE

FIXING POINT (FIXINGS DEPENDANT OF UPSTAND SUBSTRATE, TO BE DETERMINED BY CONTRACTOR)

ROOF FINISHES BY OTHERS

FILLET BY OTHERS

ROOF INSULATION BY OTHERS

150 MIN

60

VARIABLE

197

SILICONE SEAL
 'C' SEAL TO UPSTAND

2No. 24v LINEAR ACTUATORS

100 ROOF OPENING (WIDTH) - DIM A 100

SECTION A - A

100 ROOF OPENING (LENGTH) - DIM B 100

SECTION B - B

REV:	DATE:	DESCRIPTION:	DRN BY	DESCRIPTION:					 DRG No. XT-X2V-D-04E-IGLP
1	13.12.13	Upstand details revised	IW	200mm high uPVC X2V adaptor kerb upstand, Access hatch with electrically operated opening vent & double glazed pitched glass top. DRAWN BY: IW CREATION DATE: 13-Dec-13 CHECKED BY: SCALE(S): 1:5 @ A3 REVISION: 1					
0	20.09.12	New modular drawings released	IW						
				Xtralite (Rooflights) Limited Spencer Road, Blyth Industrial Estate, Blyth, Northumberland, NE24 5TG T:01670 354 157 F:01670 364 875 E:sales@xtrallite.co.uk W:www.xtrallite.co.uk					