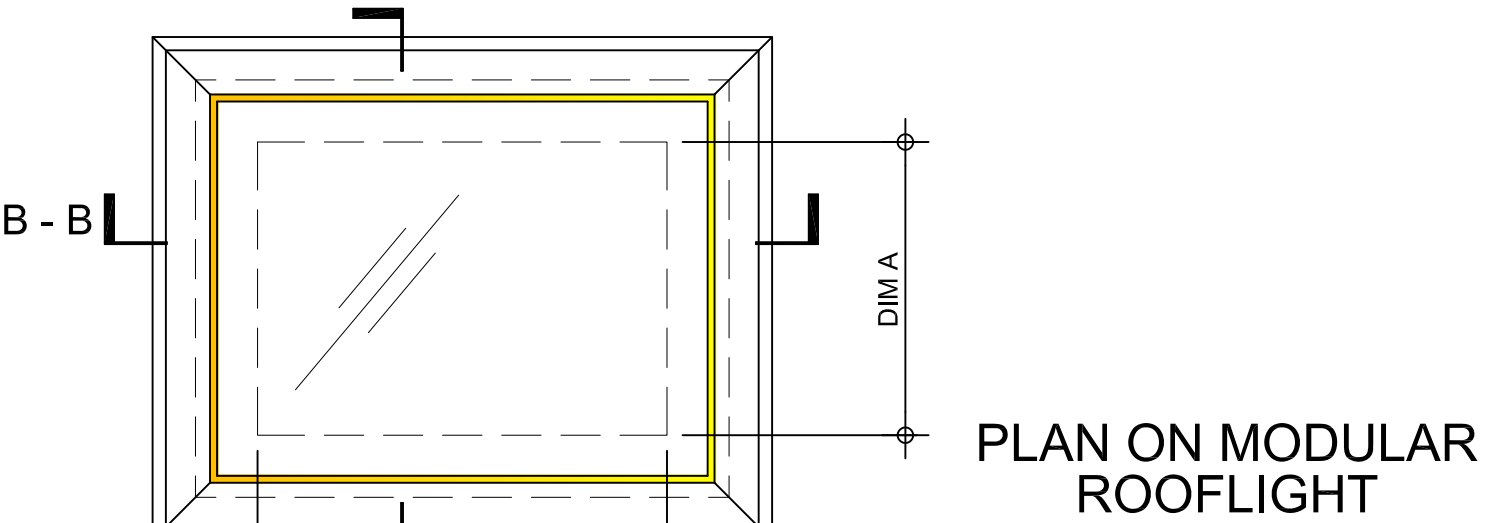
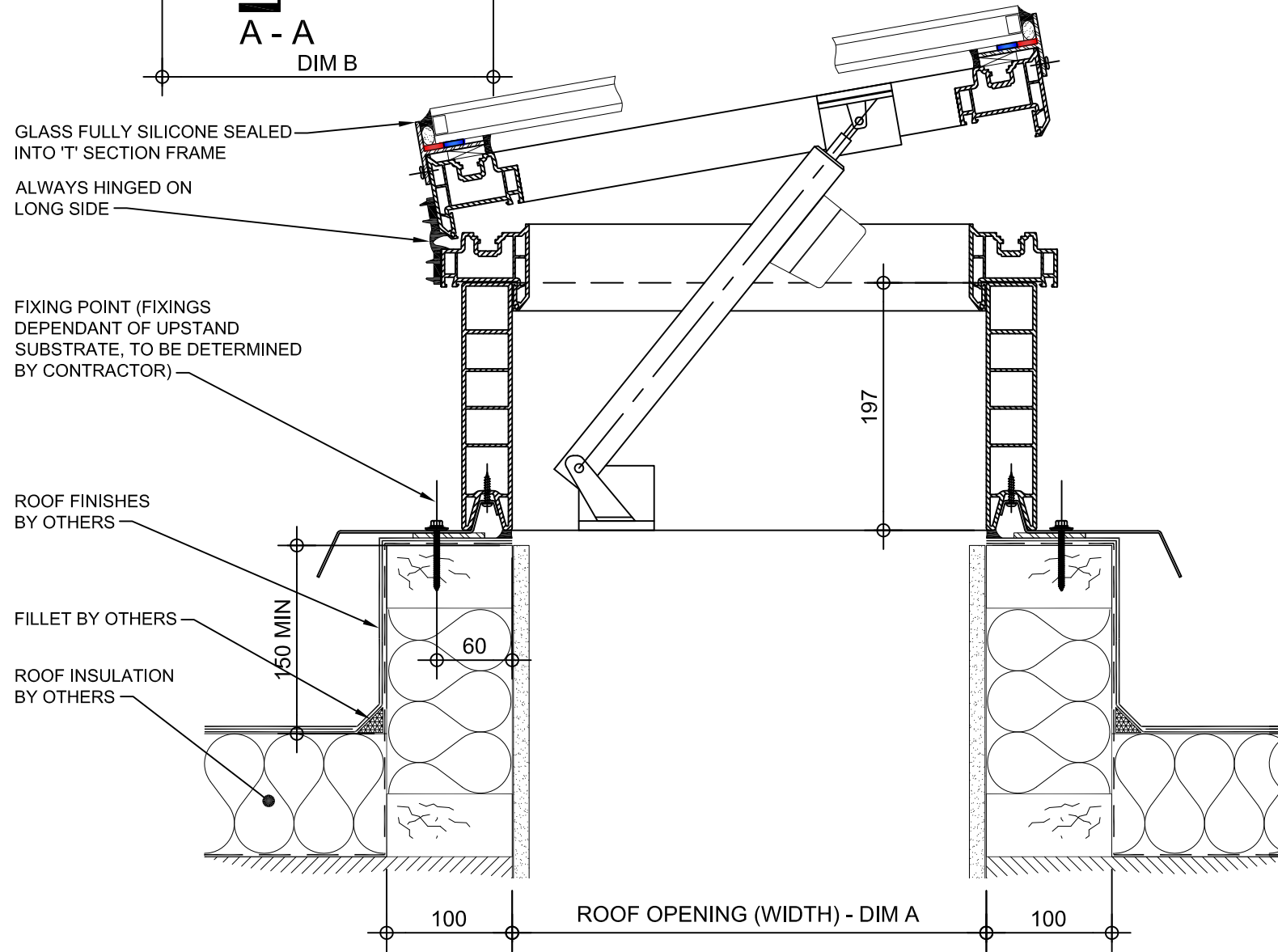


**Kerb Specification:**  
 X2V kerb constructed from self finish white uPVC

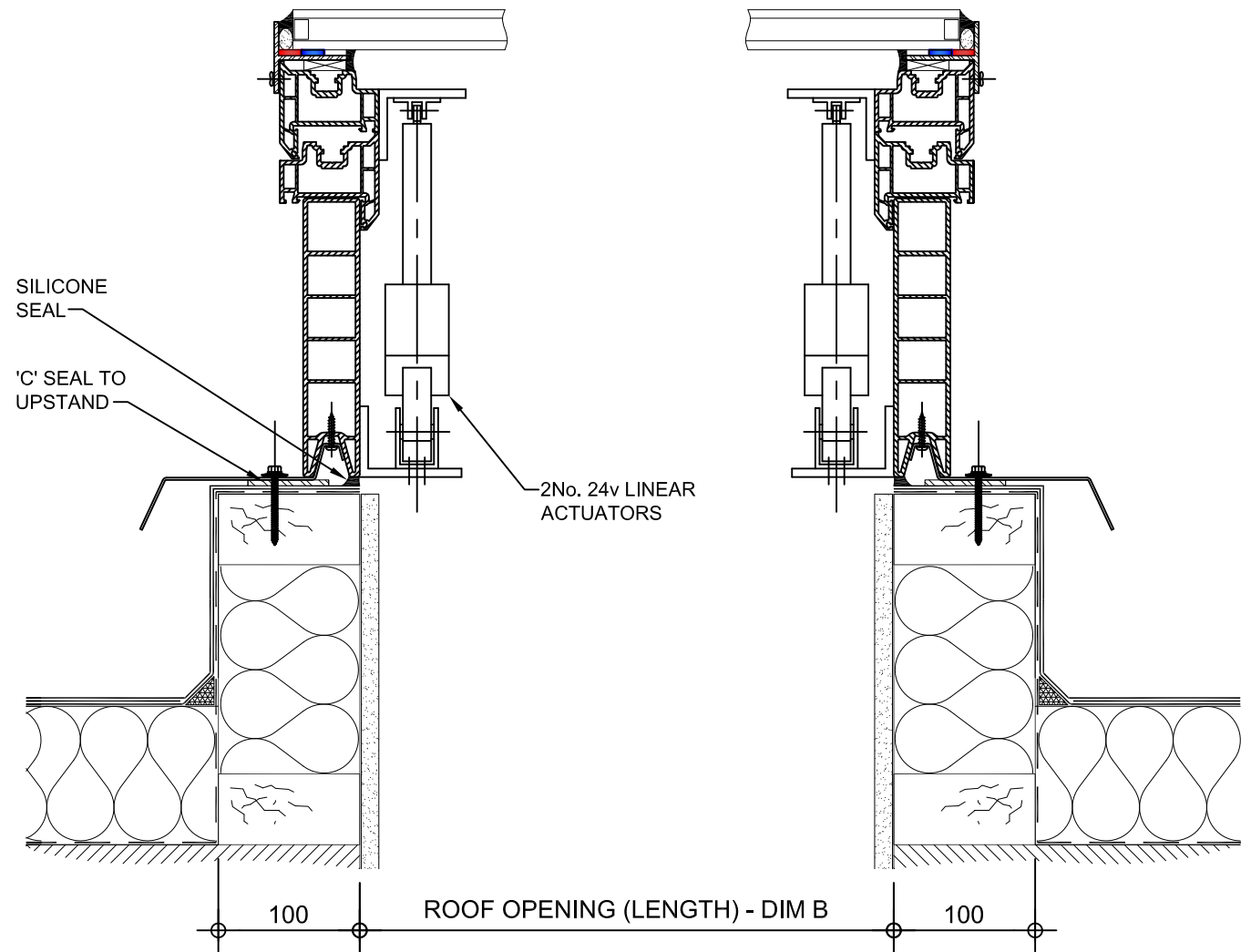
**Typical Glazing Specification:**  
 Outer - 6mm thick clear toughened glass  
 Core - 16mm thick air filled cavity  
 Inner - 6.4mm thick clear laminated low 'E' glass



**PLAN ON MODULAR ROOFLIGHT**



**SECTION A - A**



**SECTION B - B**

REV:	DATE:	DESCRIPTION:	DRN BY	DESCRIPTION:					
1	13.12.13	Upstand details revised	IW	200mm high uPVC X2V adaptor kerb upstand, Access hatch with electrically operated opening vent & double glazed flat glass top.					
0	20.09.12	New modular drawings released	IW						
		DRAWN BY:	CREATION DATE:	CHECKED BY:	SCALE(S)	REVISION:			
		IW	13-Dec-13		1:5 @ A3	1			
				<b>Xtralite (Rooflights) Limited</b> Spencer Road, Blyth Industrial Estate, Blyth, Northumberland, NE24 5TG T:01670 354 157 F:01670 364 875 E:sales@xtralite.co.uk W:www.xtralite.co.uk				DRG No. <b>XT-X2V-D-04E-IGLF</b>	