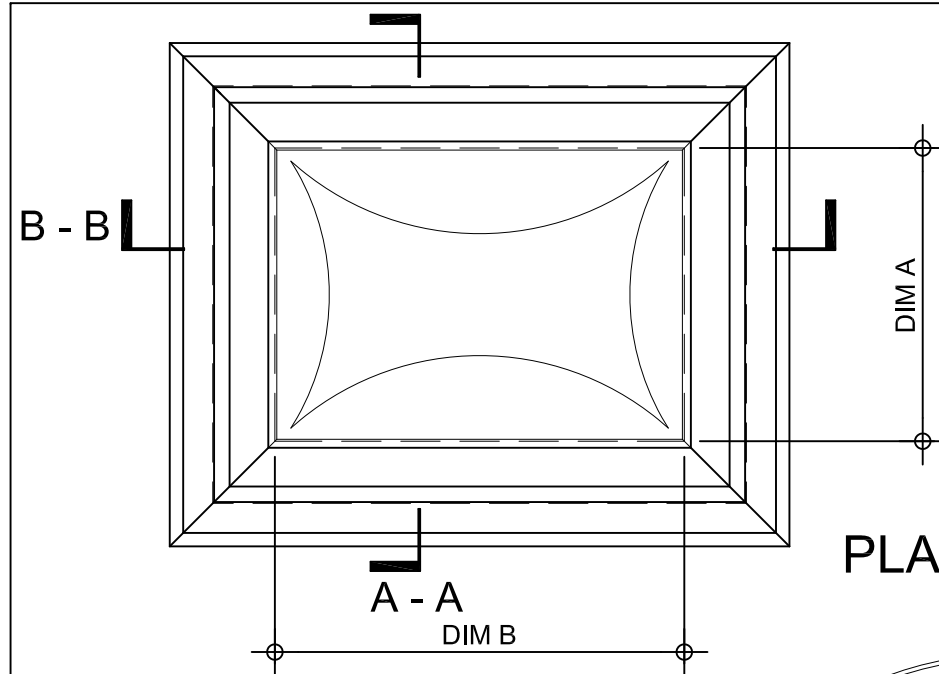
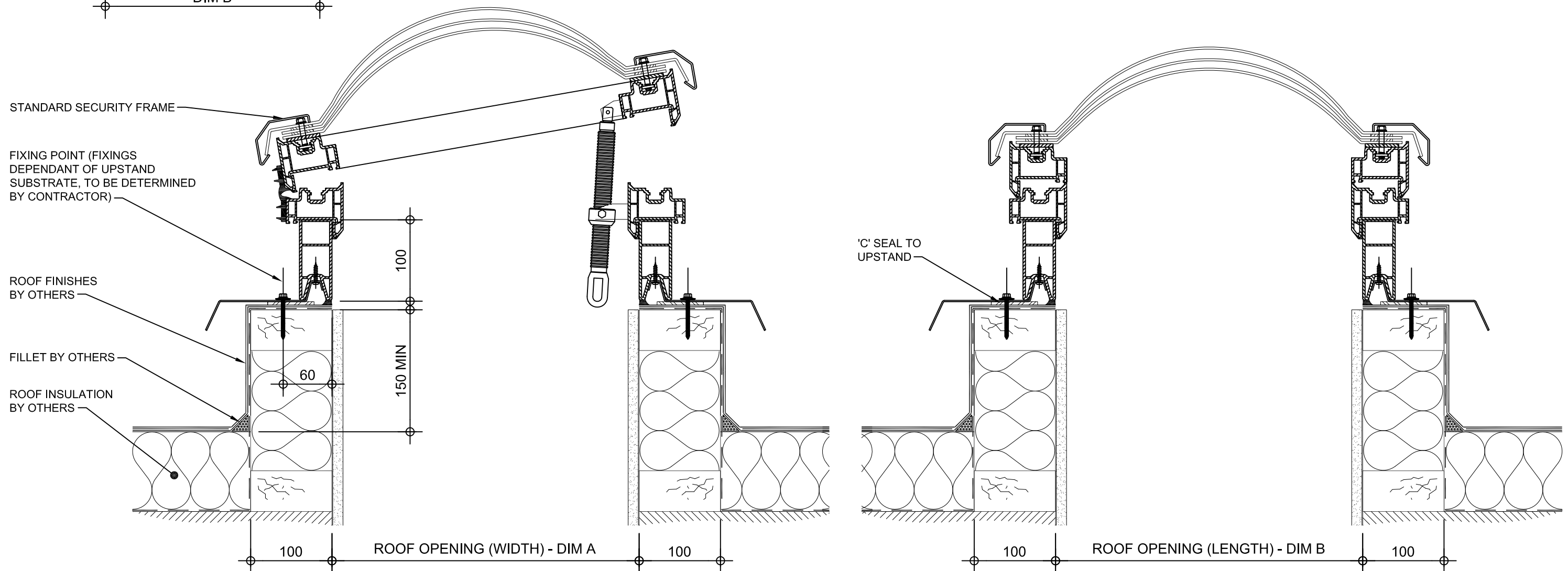


Kerb Specification:
 X2V kerb constructed from self finish white uPVC

Typical Glazing Specification:
 Outer - 3mm thick clear UV protected polycarbonate
 Mid - 2mm thick clear polycarbonate
 Inner - 3mm thick clear polycarbonate



PLAN ON MODULAR ROOFLIGHT



SECTION A - A

SECTION B - B

REV:	DATE:	DESCRIPTION:	DRN BY	DESCRIPTION:				
1	13.12.13	Upstand details revised	IW	100mm high uPVC X2V adaptor kerb upstand with wormgear opening vent, Triple skin polycarbonate dome and security frame.				
0	20.09.12	New modular drawings released	IW					
				DRAWN BY:	CREATION DATE:	CHECKED BY:	SCALE(S)	REVISION:
				IW	13-Dec-13		1:5 @ A3	1
				Xtralite (Rooflights) Limited Spencer Road, Blyth Industrial Estate, Blyth, Northumberland, NE24 5TG T:01670 354 157 F:01670 364 875 E:sales@xtralite.co.uk W:www.xtralite.co.uk				DRG No.
								XT-X2V-D-03-SF