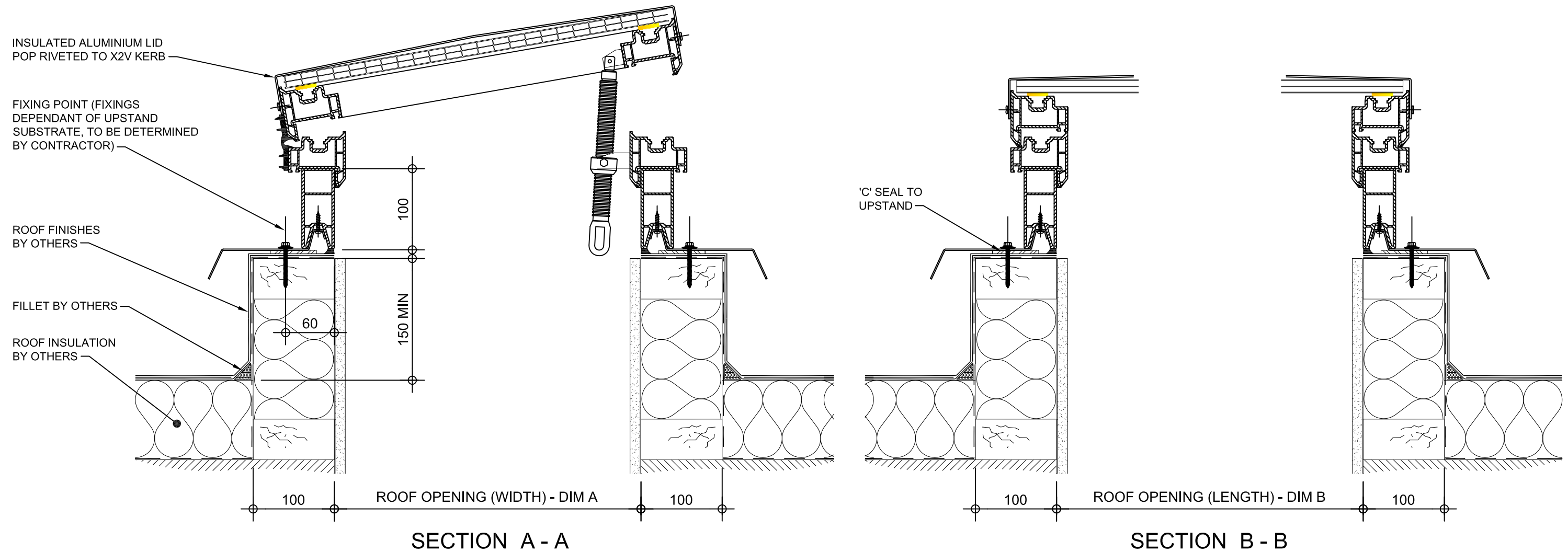
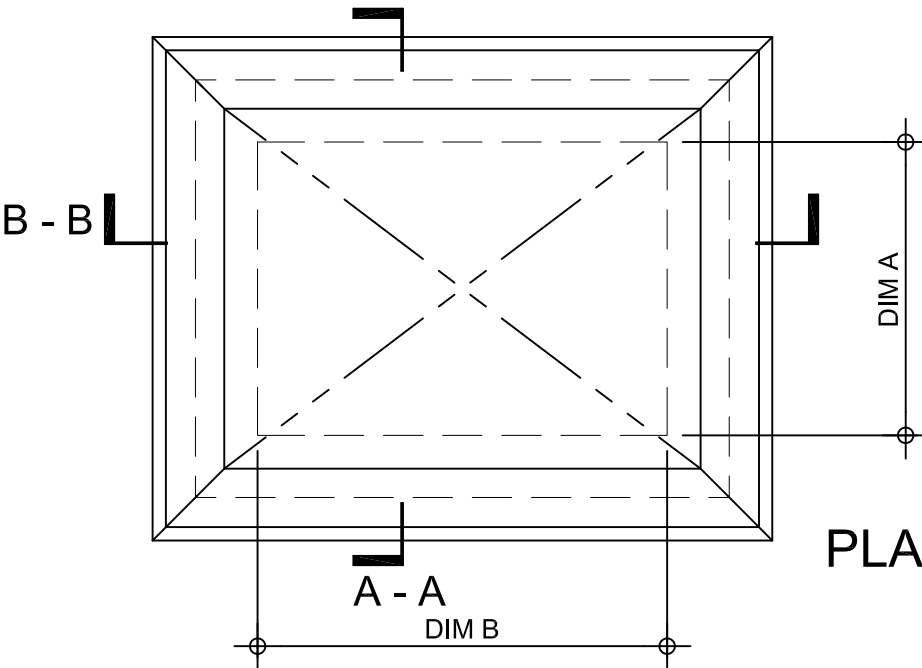


Kerb Specification:
X2V kerb constructed from self finish white uPVC

Typical Glazing Specification:
2mm thick polyester powder coated aluminium with 16mm structured polycarbonate internal liner



REV:	DATE:	DESCRIPTION:	DRN BY	DESCRIPTION:	
1	13.12.13	Upstand details revised	IW	100mm high uPVC X2V adaptor kerb upstand with wormgear opening vent and insulated solid lid.	
0	20.09.12	New modular drawings released	IW		
DRAWN BY:		CREATION DATE:	CHECKED BY:	SCALE(S)	REVISION:
IW		13-Dec-13		1:5 @ A3	1
Xtralite (Rooflights) Limited Spencer Road, Blyth Industrial Estate, Blyth, Northumberland, NE24 5TG T:01670 354 157 F:01670 364 875 E:sales@xtralite.co.uk W:www.xtralite.co.uk					

Xtralite
ROOFLIGHTS

DRG No.
XT-X2V-D-03-ISL