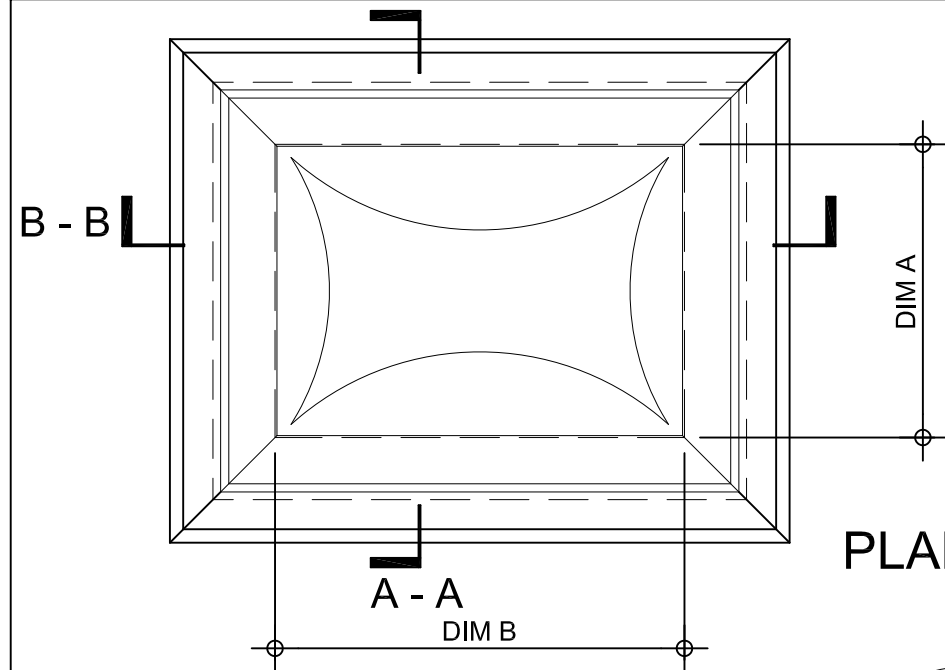


Kerb Specification:
 X2V kerb constructed from self finish white uPVC

Typical Glazing Specification:
 Outer - 3mm thick clear UV protected polycarbonate
 Mid - 2mm thick clear polycarbonate
 Inner - 3mm thick clear polycarbonate



PLAN ON MODULAR ROOFLIGHT

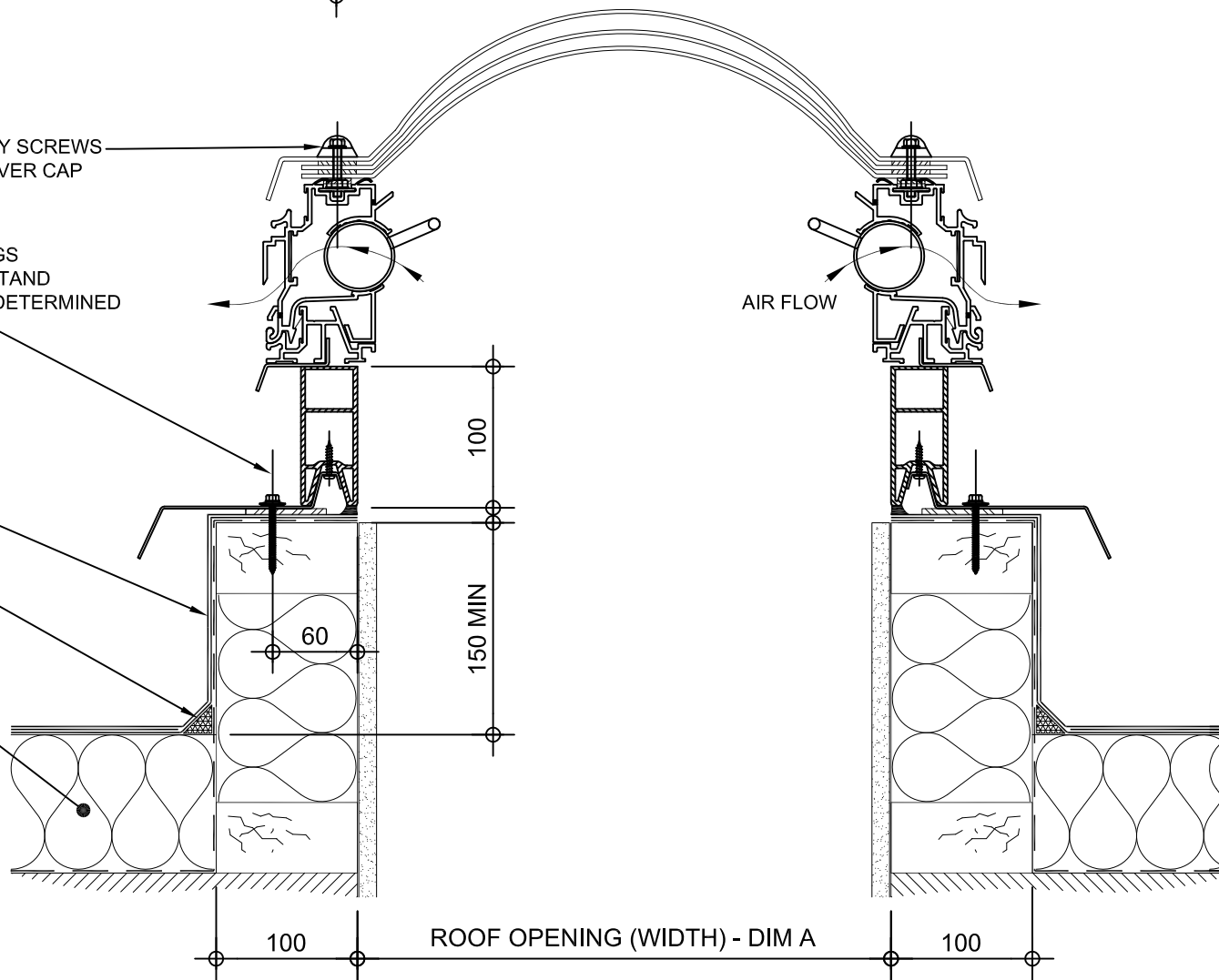
STANDARD SECURITY SCREWS COMPLETE WITH COVER CAP

FIXING POINT (FIXINGS DEPENDANT OF UPSTAND SUBSTRATE, TO BE DETERMINED BY CONTRACTOR)

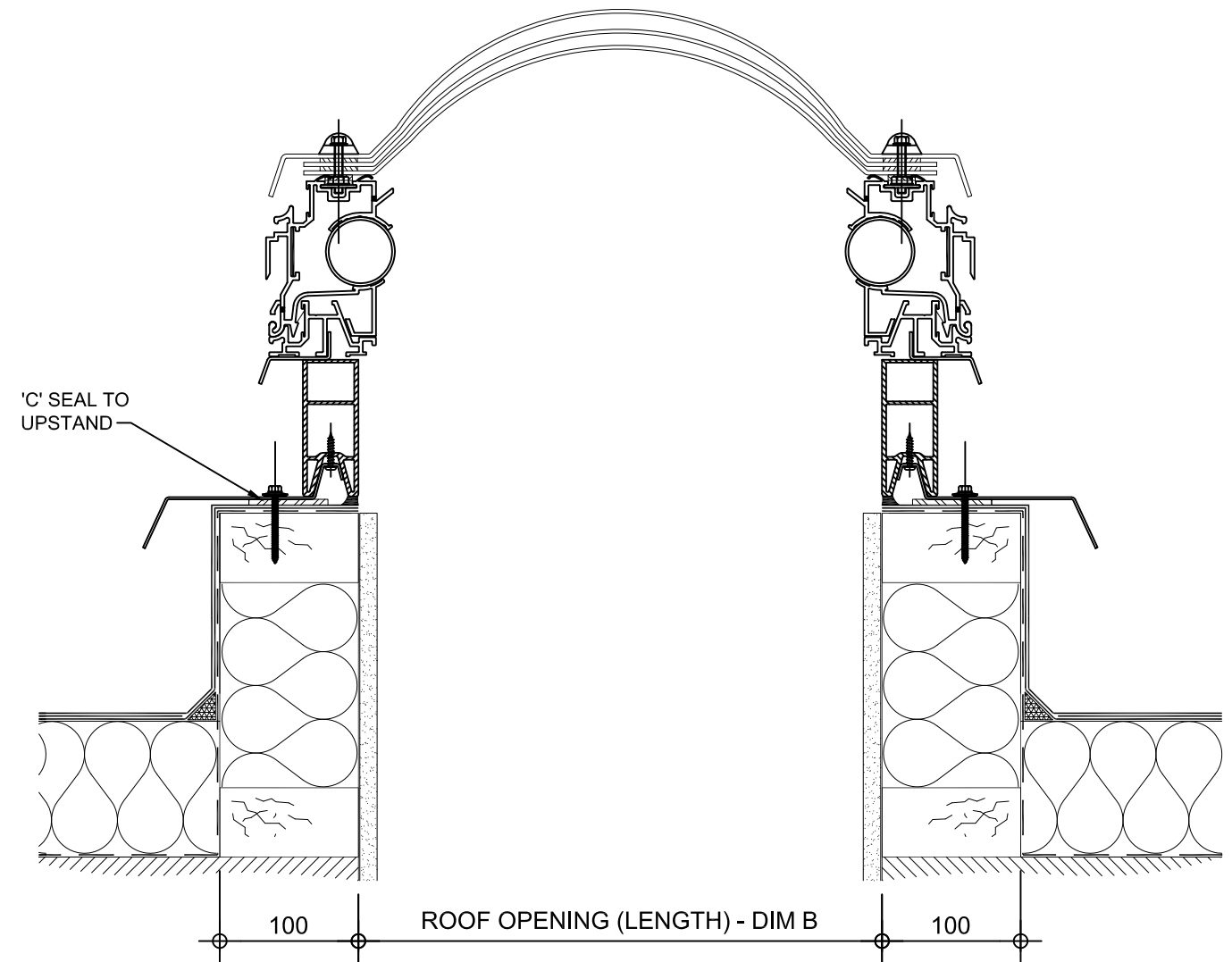
ROOF FINISHES BY OTHERS

FILLET BY OTHERS


ROOF INSULATION BY OTHERS



SECTION A - A



SECTION B - B

REV:	DATE:	DESCRIPTION:	DRN BY	DESCRIPTION:					
1	13.12.13	Upstand details revised	IW	100mm high uPVC X2V adaptor kerb upstand with rotary ventilation, Triple skin polycarbonate dome and standard security fixings.					
0	20.09.12	New modular drawings released	IW						
				DRAWN BY:	CREATION DATE:	CHECKED BY:	SCALE(S)	REVISION:	
				IW	13-Dec-13		1:5 @ A3	1	
				Xtralite (Rooflights) Limited Spencer Road, Blyth Industrial Estate, Blyth, Northumberland, NE24 5TG T:01670 354 157 F:01670 364 875 E:sales@xtralite.co.uk W:www.xtralite.co.uk					DRG No. XT-X2V-D-02-SS