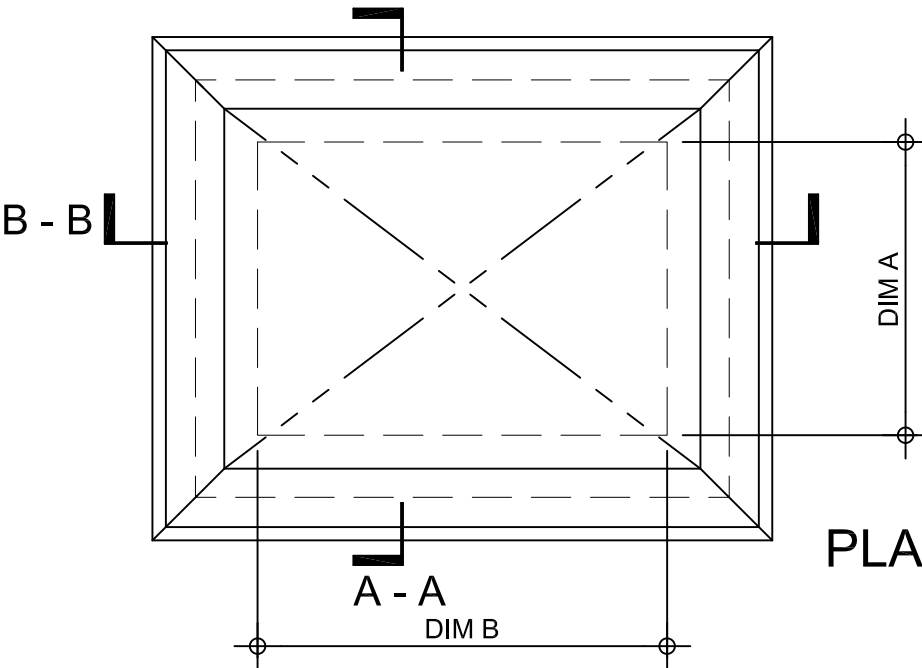


Kerb Specification:
 X2V kerb constructed from self finish white uPVC

Typical Glazing Specification:
 2mm thick polyester powder coated aluminium with 16mm structured polycarbonate internal liner



PLAN ON MODULAR ROOFLIGHT

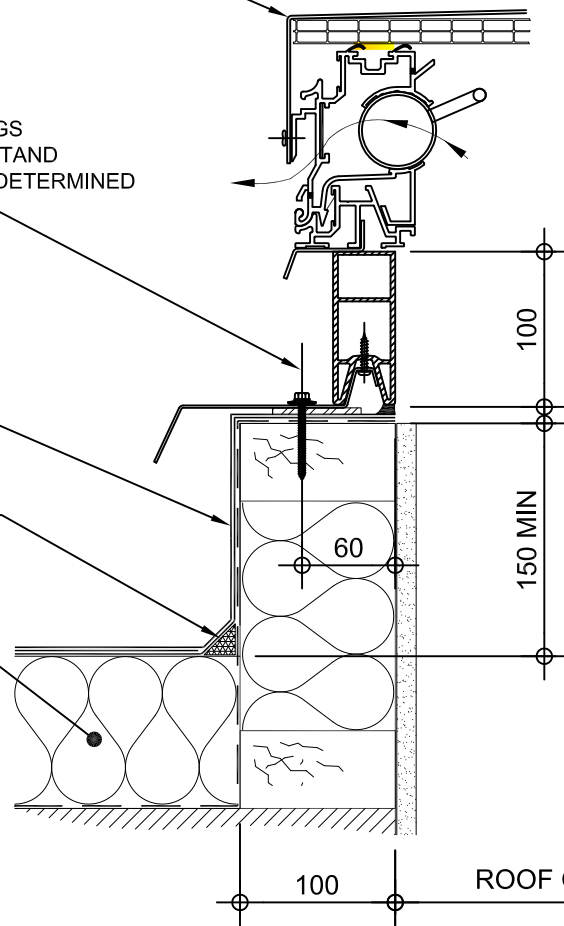
INSULATED ALUMINIUM LID POP RIVETED TO X2V KERB

FIXING POINT (FIXINGS DEPENDANT OF UPSTAND SUBSTRATE, TO BE DETERMINED BY CONTRACTOR)

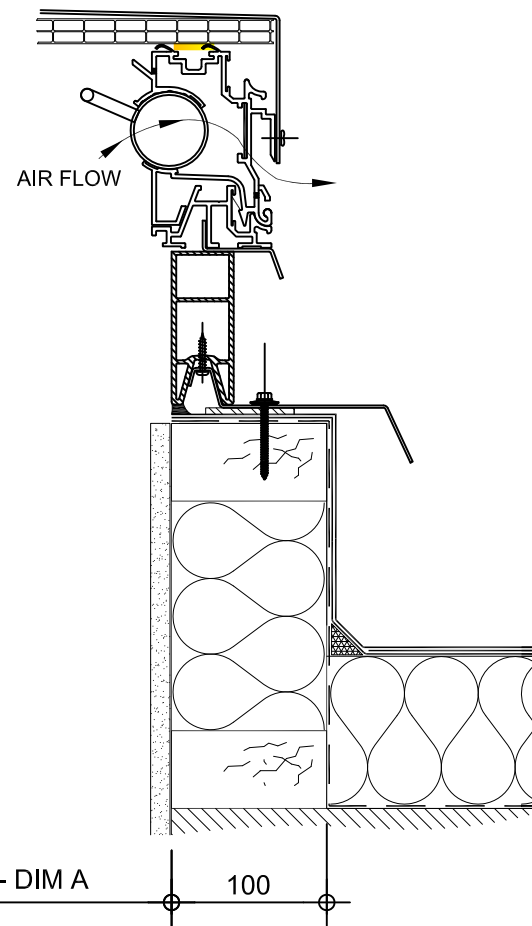
ROOF FINISHES BY OTHERS

FILLET BY OTHERS

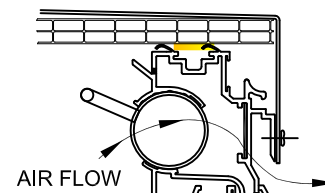
ROOF INSULATION BY OTHERS



SECTION A - A



SECTION B - B



'C' SEAL TO UPSTAND

REV:	DATE:	DESCRIPTION:	DRN BY	DESCRIPTION:	
1	13.12.13	Upstand details revised	IW	100mm high uPVC X2V adaptor kerb upstand with rotary ventilation and insulated solid lid.	
0	20.09.12	New modular drawings released	IW		
DRAWN BY:		CREATION DATE:	CHECKED BY:	SCALE(S)	REVISION:
IW		13-Dec-13		1:5 @ A3	1
Xtralite (Rooflights) Limited Spencer Road, Blyth Industrial Estate, Blyth, Northumberland, NE24 5TG T:01670 354 157 F:01670 364 875 E:sales@xtralite.co.uk W:www.xtralite.co.uk					



DRG No.
 XT-X2V-D-02-ISL