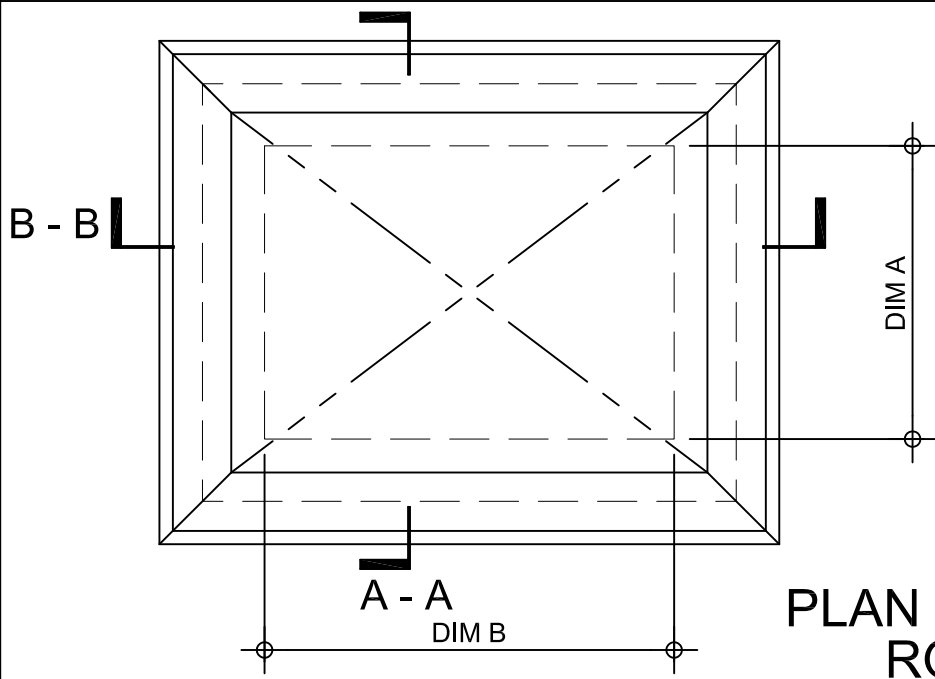


**Kerb Specification:**  
 X2V kerb constructed from self finish white uPVC

**Typical Glazing Specification:**  
 2mm thick polyester powder coated aluminium with 16mm structured polycarbonate internal liner



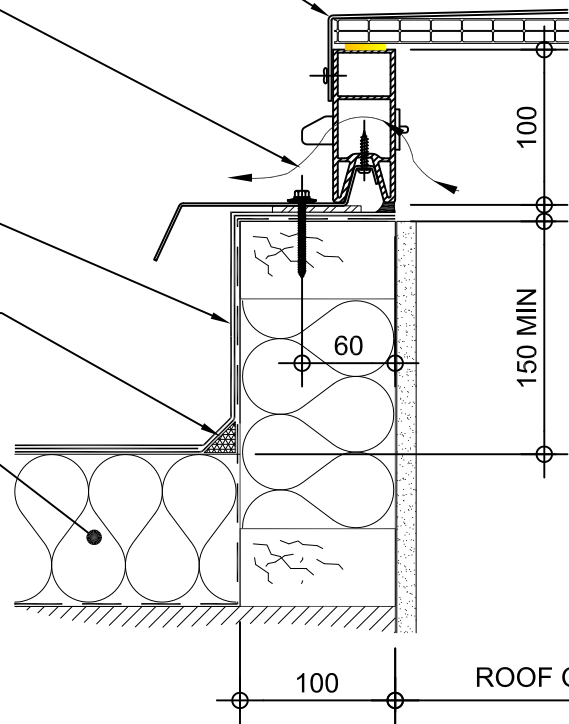
INSULATED ALUMINIUM LID  
 POP RIVETED TO X2V KERB

FIXING POINT (FIXINGS  
 DEPENDANT OF UPSTAND  
 SUBSTRATE, TO BE DETERMINED  
 BY CONTRACTOR)

ROOF FINISHES  
 BY OTHERS

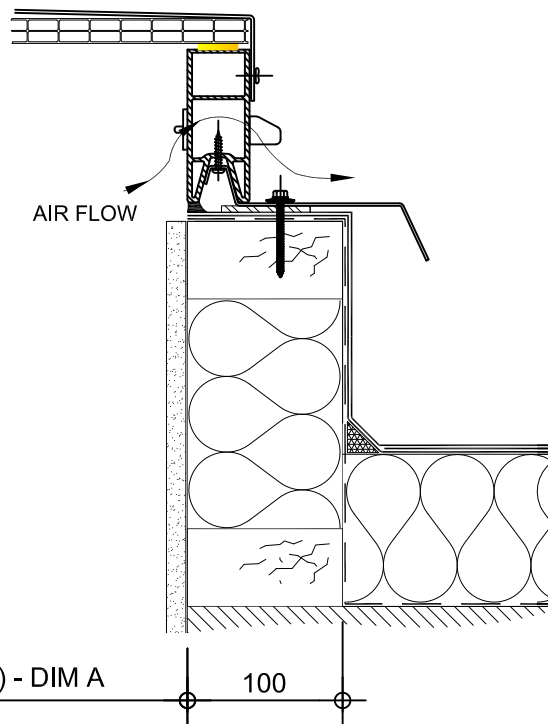
FILLET BY OTHERS

ROOF INSULATION  
 BY OTHERS



ROOF OPENING (WIDTH) - DIM A


SECTION A - A



ROOF OPENING (LENGTH) - DIM B

SECTION B - B

'C' SEAL TO  
 UPSTAND

REV:	DATE:	DESCRIPTION:	DRN BY	DESCRIPTION:				
1	13.12.13	Upstand details revised	IW	100mm high uPVC X2V adaptor kerb upstand with hit & miss ventilation and insulated solid lid.				
0	20.09.12	New modular drawings released	IW					
				DRAWN BY:	CREATION DATE:	CHECKED BY:	SCALE(S)	REVISION:
				IW	13-Dec-13		1:5 @ A3	1
				<b>Xtralite (Rooflights) Limited</b> Spencer Road, Blyth Industrial Estate, Blyth, Northumberland, NE24 5TG T:01670 354 157 F:01670 364 875 E:sales@xtralite.co.uk W:www.xtralite.co.uk				DRG No. <b>XT-X2V-D-01-ISL</b>