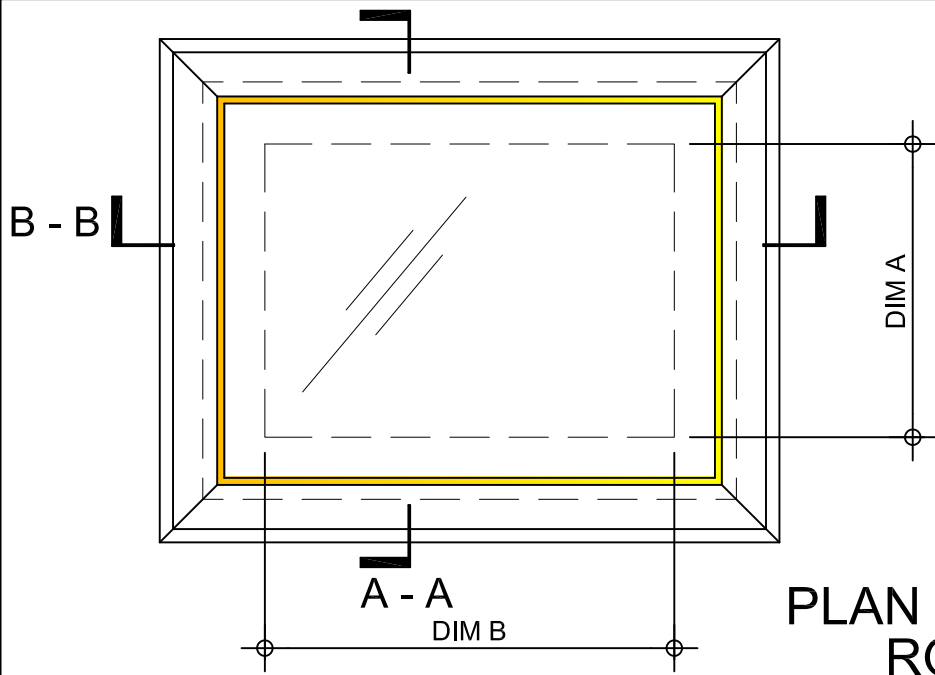


Kerb Specification:
 X2V kerb constructed from self finish
 white uPVC

Typical Glazing Specification:
 Outer - 6mm thick clear toughened glass
 Core - 16mm thick air filled cavity
 Inner - 6.4mm thick clear laminated low 'E' glass



**PLAN ON MODULAR
 ROOFLIGHT**

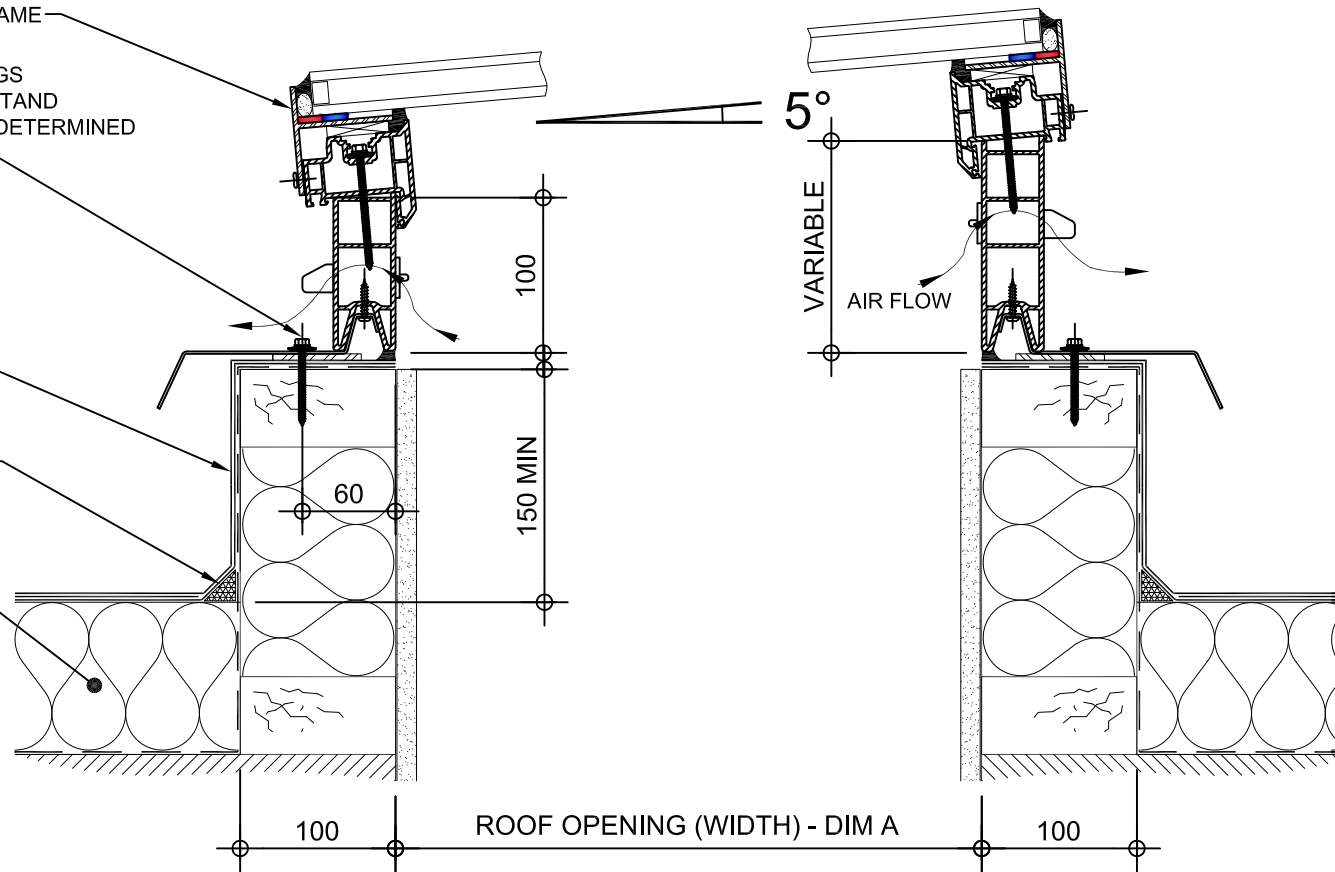
GLASS FULLY SILICONE SEALED
 INTO 'T' SECTION FRAME

FIXING POINT (FIXINGS
 DEPENDANT OF UPSTAND
 SUBSTRATE, TO BE DETERMINED
 BY CONTRACTOR)

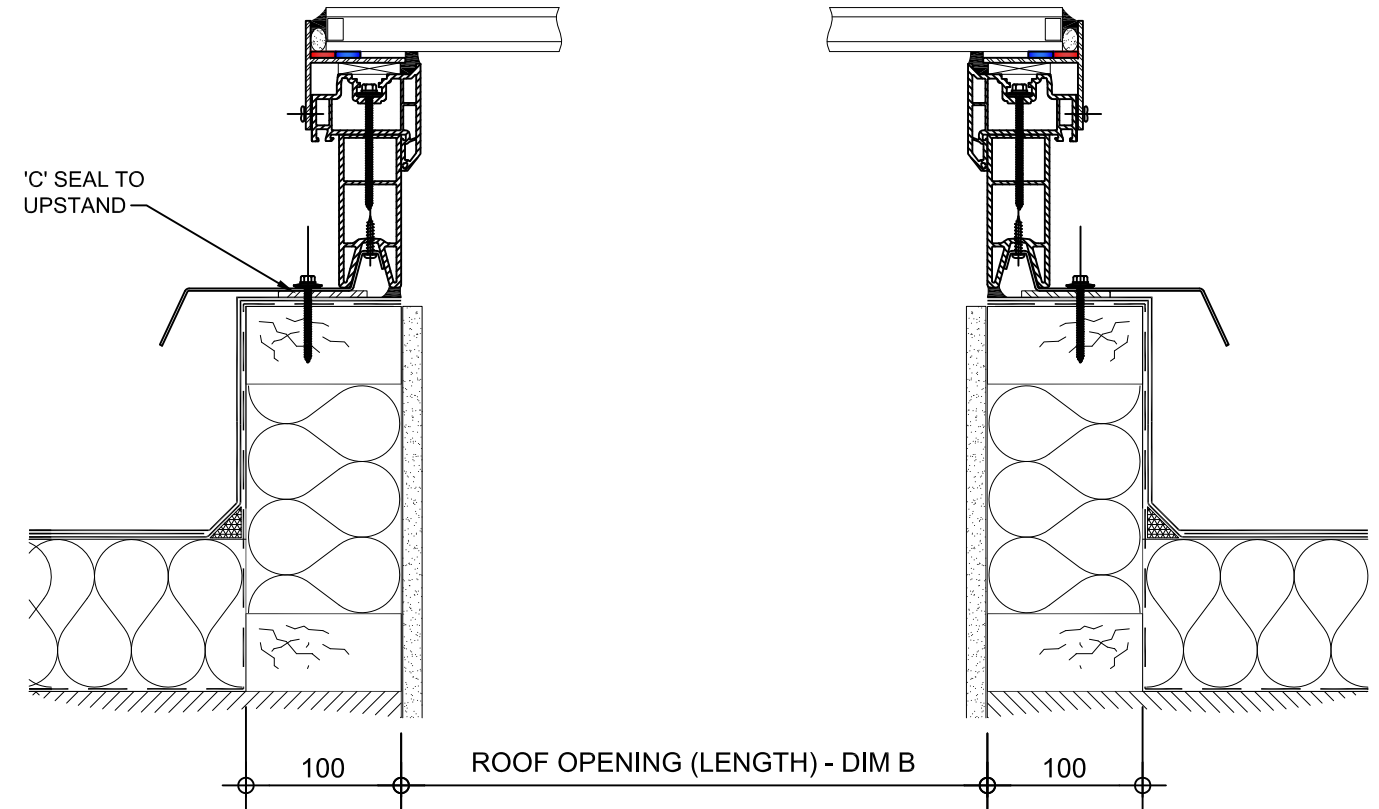
ROOF FINISHES
 BY OTHERS

FILLET BY OTHERS

ROOF INSULATION
 BY OTHERS



SECTION A - A



SECTION B - B

REV:	DATE:	DESCRIPTION:	DRN BY	DESCRIPTION:				
1	13.12.13	Upstand details revised	IW	100mm high uPVC X2V adaptor kerb upstand with hit & miss ventilation and double glazed pitched glass top.				
0	20.09.12	New modular drawings released	IW					
		DRAWN BY:	CREATION DATE:	CHECKED BY:	SCALE(S)	REVISION:		
		IW	13-Dec-13		1:5 @ A3	1		
Xtralite (Rooflights) Limited Spencer Road, Blyth Industrial Estate, Blyth, Northumberland, NE24 5TG T:01670 354 157 F:01670 364 875 E:sales@xtralite.co.uk W:www.xtralite.co.uk					DRG No. XT-X2V-D-01-IGLP			