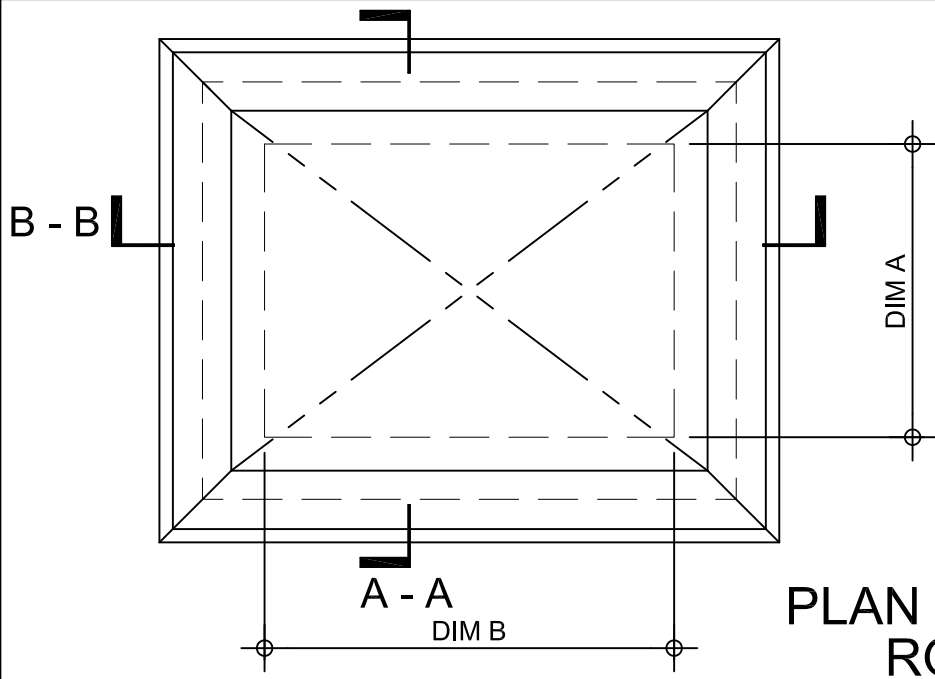


Kerb Specification:
 X2V kerb constructed from self finish
 white uPVC

Typical Glazing Specification:
 2mm thick polyester powder coated aluminium
 with 16mm structured polycarbonate internal liner



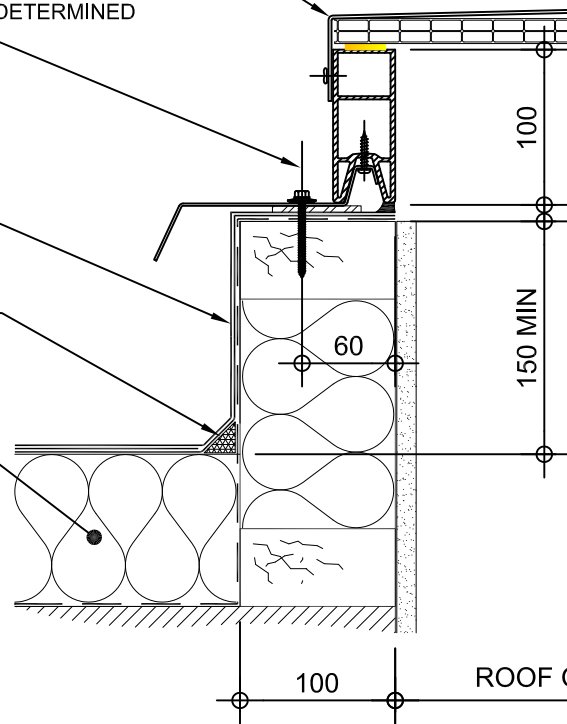
INSULATED ALUMINIUM LID
 POP RIVETED TO X2V KERB

FIXING POINT (FIXINGS
 DEPENDANT OF UPSTAND
 SUBSTRATE, TO BE DETERMINED
 BY CONTRACTOR)

ROOF FINISHES
 BY OTHERS

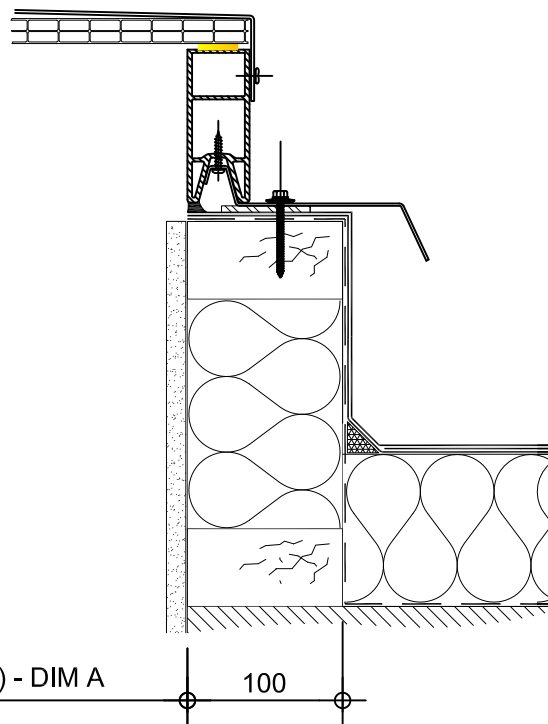
FILLET BY OTHERS

ROOF INSULATION
 BY OTHERS



ROOF OPENING (WIDTH) - DIM A


SECTION A - A



ROOF OPENING (LENGTH) - DIM B

SECTION B - B

'C' SEAL TO
 UPSTAND

REV:	DATE:	DESCRIPTION:	DRN BY	DESCRIPTION:			
1	29.11.13	Upstand details revised	IW	100mm high uPVC X2V adaptor kerb upstand, Unventilated with insulated solid lid.			
0	20.09.12	New modular drawings released	IW				
		DRAWN BY:	CREATION DATE:	CHECKED BY:	SCALE(S)	REVISION:	
		IW	19-Dec-13		1:5 @ A3	1	
				Xtralite (Rooflights) Limited Spencer Road, Blyth Industrial Estate, Blyth, Northumberland, NE24 5TG T:01670 354 157 F:01670 364 875 E:sales@xtralite.co.uk W:www.xtralite.co.uk		 DRG No. XT-X2V-D-00-ISL	