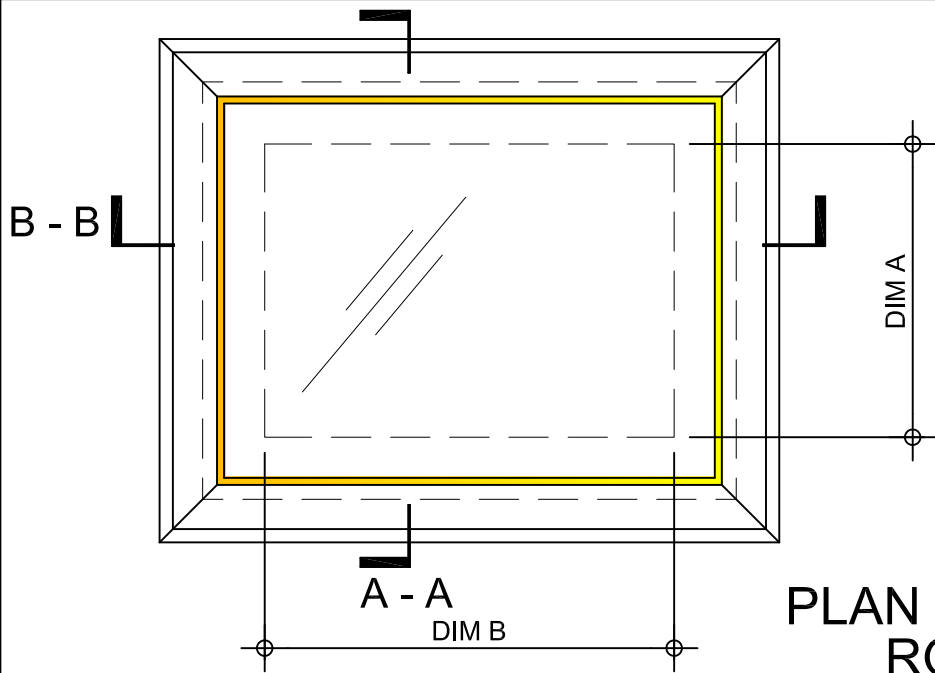


**Kerb Specification:**  
 X2V kerb constructed from self finish  
 white uPVC

**Typical Glazing Specification:**  
 Outer - 6mm thick clear toughened glass  
 Core - 16mm thick air filled cavity  
 Inner - 6.4mm thick clear laminated low 'E' glass



**PLAN ON MODULAR  
 ROOFLIGHT**

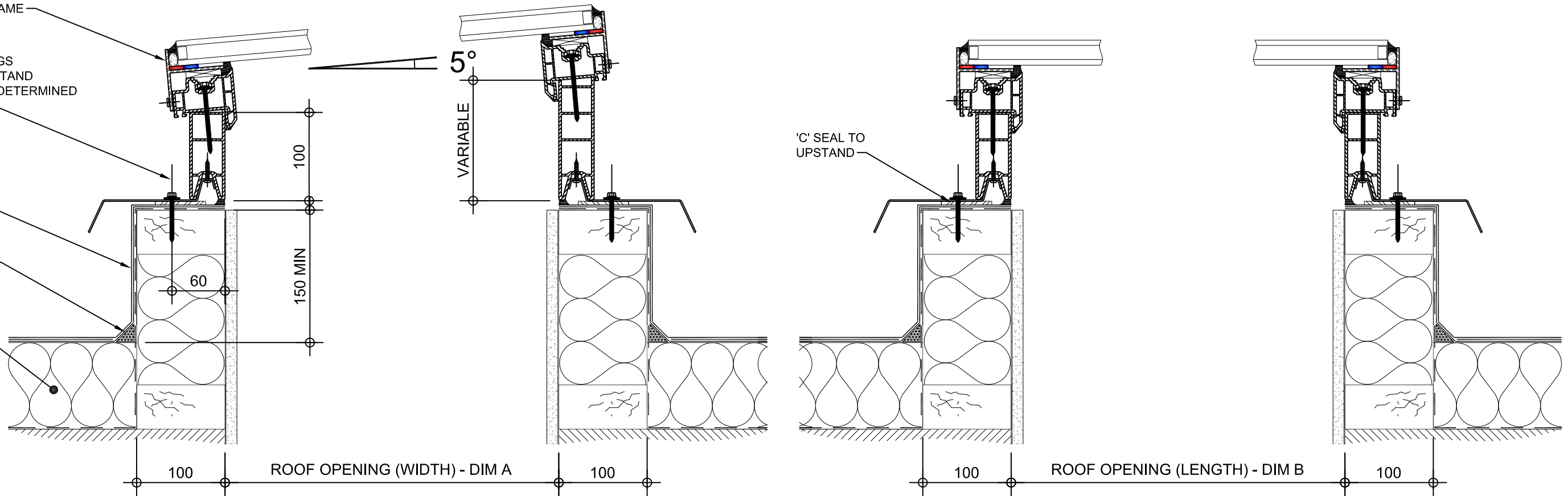
GLASS FULLY SILICONE SEALED  
 INTO 'T' SECTION FRAME

FIXING POINT (FIXINGS  
 DEPENDANT OF UPSTAND  
 SUBSTRATE, TO BE DETERMINED  
 BY CONTRACTOR)

ROOF FINISHES  
 BY OTHERS


FILLET BY OTHERS

ROOF INSULATION  
 BY OTHERS



**SECTION A - A**

**SECTION B - B**

REV:	DATE:	DESCRIPTION:	DRN BY	DESCRIPTION:					
1	29.11.13	Upstand details revised	IW	100mm high uPVC X2V adaptor kerb upstand, Unventilated with double glazed pitched glass top.					
0	20.09.12	New modular drawings released	IW						
				DRAWN BY:	CREATION DATE:	CHECKED BY:	SCALE(S)	REVISION:	
				IW	19-Dec-13		1:5 @ A3	1	
				<b>Xtralite (Rooflights) Limited</b> Spencer Road, Blyth Industrial Estate, Blyth, Northumberland, NE24 5TG T:01670 354 157 F:01670 364 875 E:sales@xtralite.co.uk W:www.xtralite.co.uk				DRG No. <b>XT-X2V-D-00-IGLP</b>	