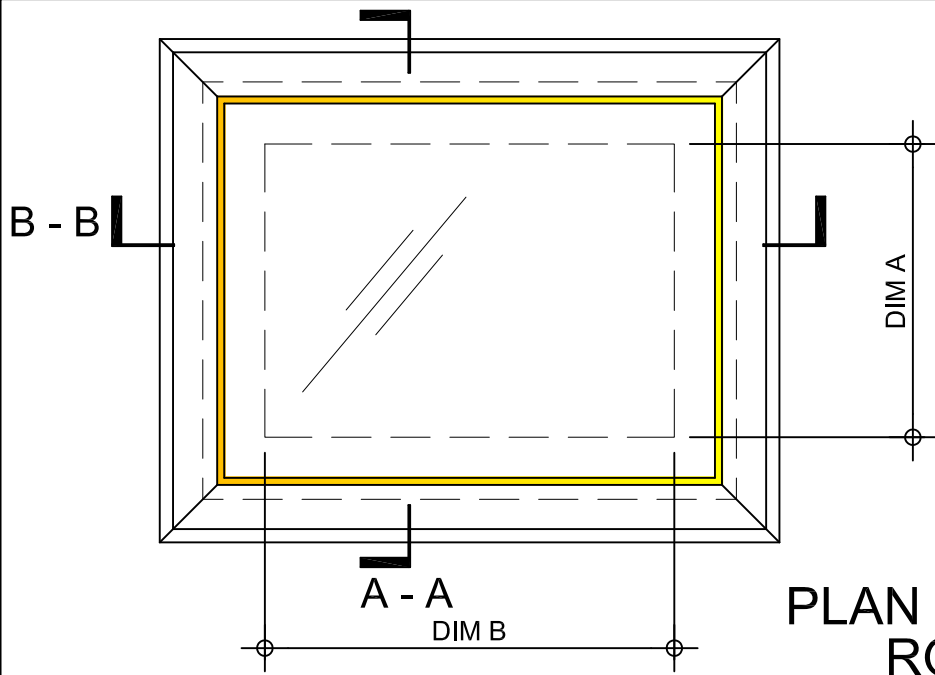


Kerb Specification:
 X2V kerb constructed from self finish
 white uPVC

Typical Glazing Specification:
 Outer - 6mm thick clear toughened glass
 Core - 16mm thick air filled cavity
 Inner - 6.4mm thick clear laminated low 'E' glass



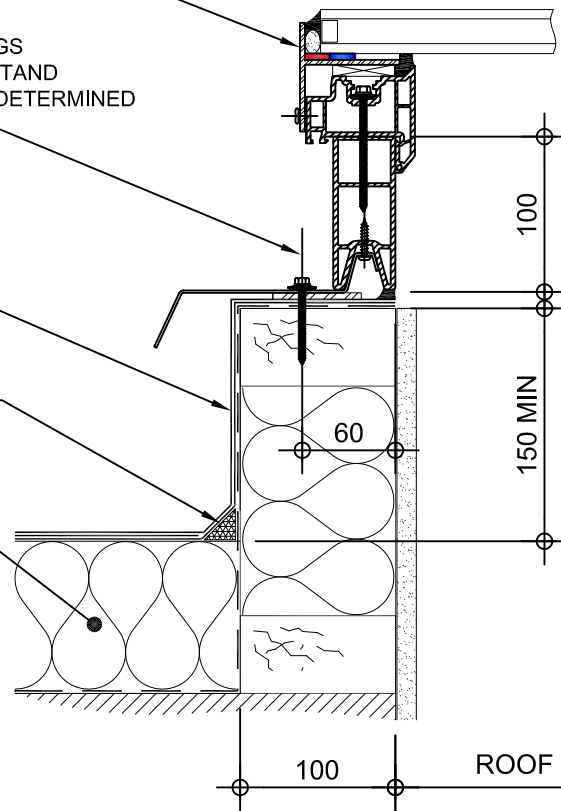
GLASS FULLY SILICONE SEALED INTO 'T' SECTION FRAME

FIXING POINT (FIXINGS DEPENDANT OF UPSTAND SUBSTRATE, TO BE DETERMINED BY CONTRACTOR)

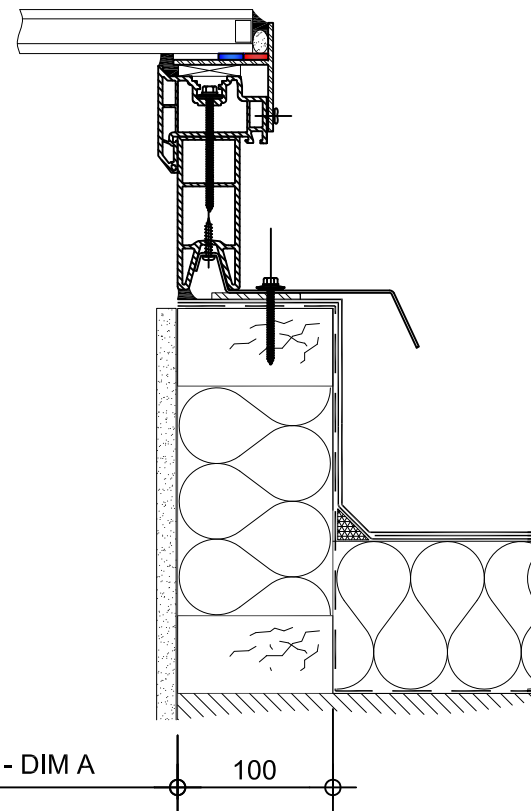
ROOF FINISHES BY OTHERS

FILLET BY OTHERS

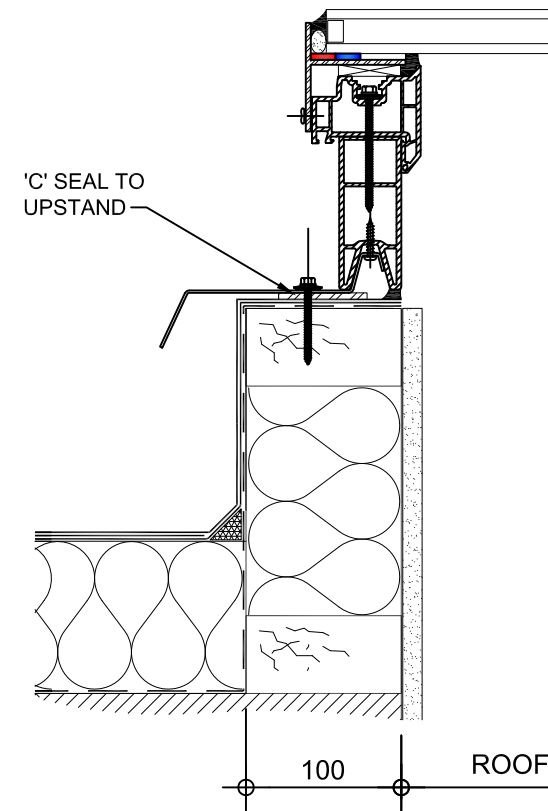
ROOF INSULATION BY OTHERS




SECTION A - A



SECTION B - B



REV:	DATE:	DESCRIPTION:	DRN BY	DESCRIPTION:	
1	29.11.13	Upstand details revised	IW	100mm high uPVC X2V adaptor kerb upstand, Unventilated with double glazed flat glass top.	
0	20.09.12	New modular drawings released	IW		
DRAWN BY:		CREATION DATE:	CHECKED BY:	SCALE(S)	REVISION:
IW		19-Dec-13		1:5 @ A3	1
Xtralite (Rooflights) Limited Spencer Road, Blyth Industrial Estate, Blyth, Northumberland, NE24 5TG T:01670 354 157 F:01670 364 875 E:sales@xtralite.co.uk W:www.xtralite.co.uk				 DRG No. XT-X2V-D-00-IGLF	