

**Kerb Specification:**  
 X2V kerb constructed from self finish white uPVC

**Typical Glazing Specification:**  
 Outer - 3mm thick clear UV protected polycarbonate  
 Mid - 2mm thick clear polycarbonate  
 Inner - 3mm thick clear polycarbonate

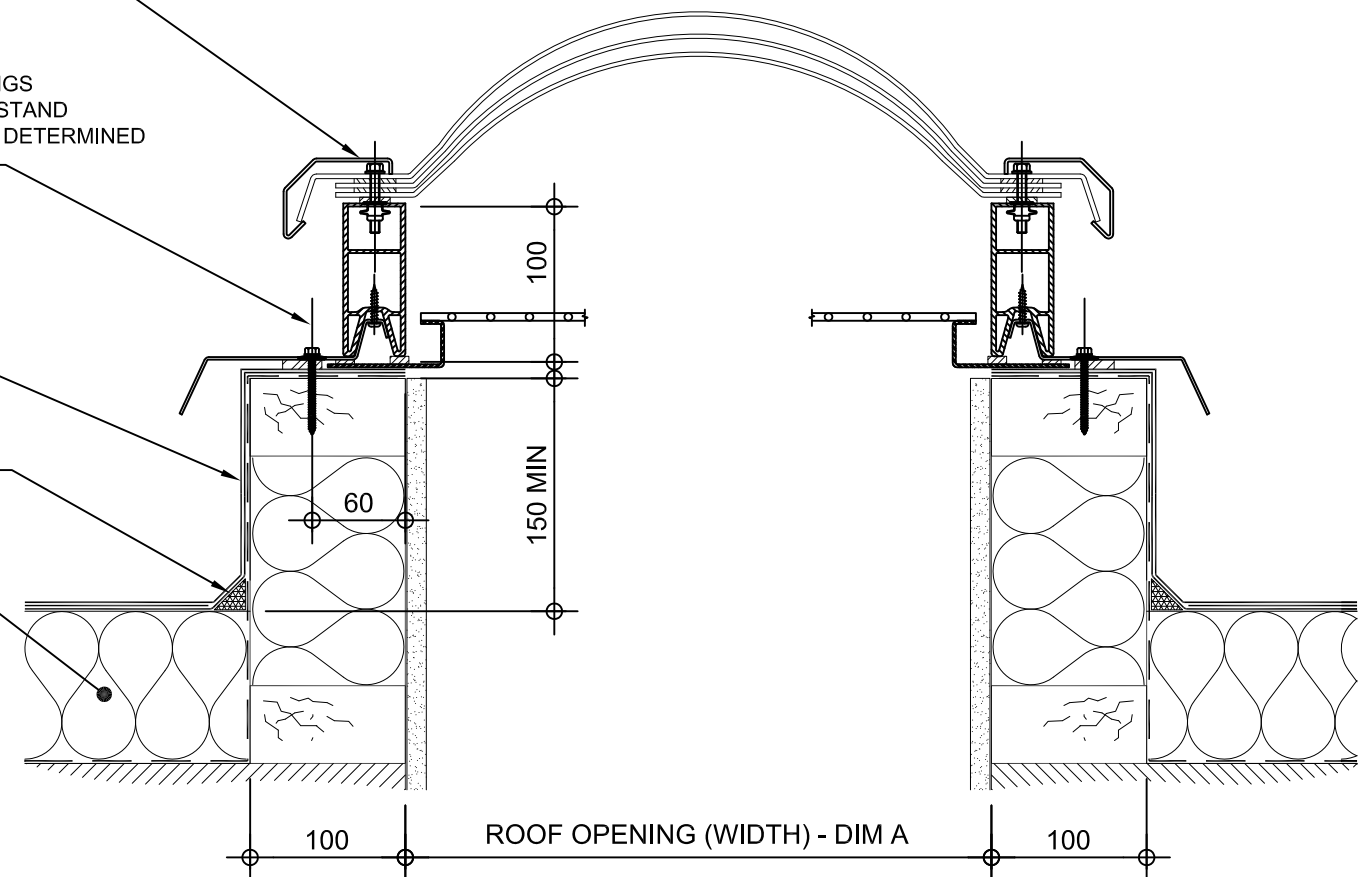
STANDARD SECURITY FRAME

FIXING POINT (FIXINGS DEPENDANT OF UPSTAND SUBSTRATE, TO BE DETERMINED BY CONTRACTOR)

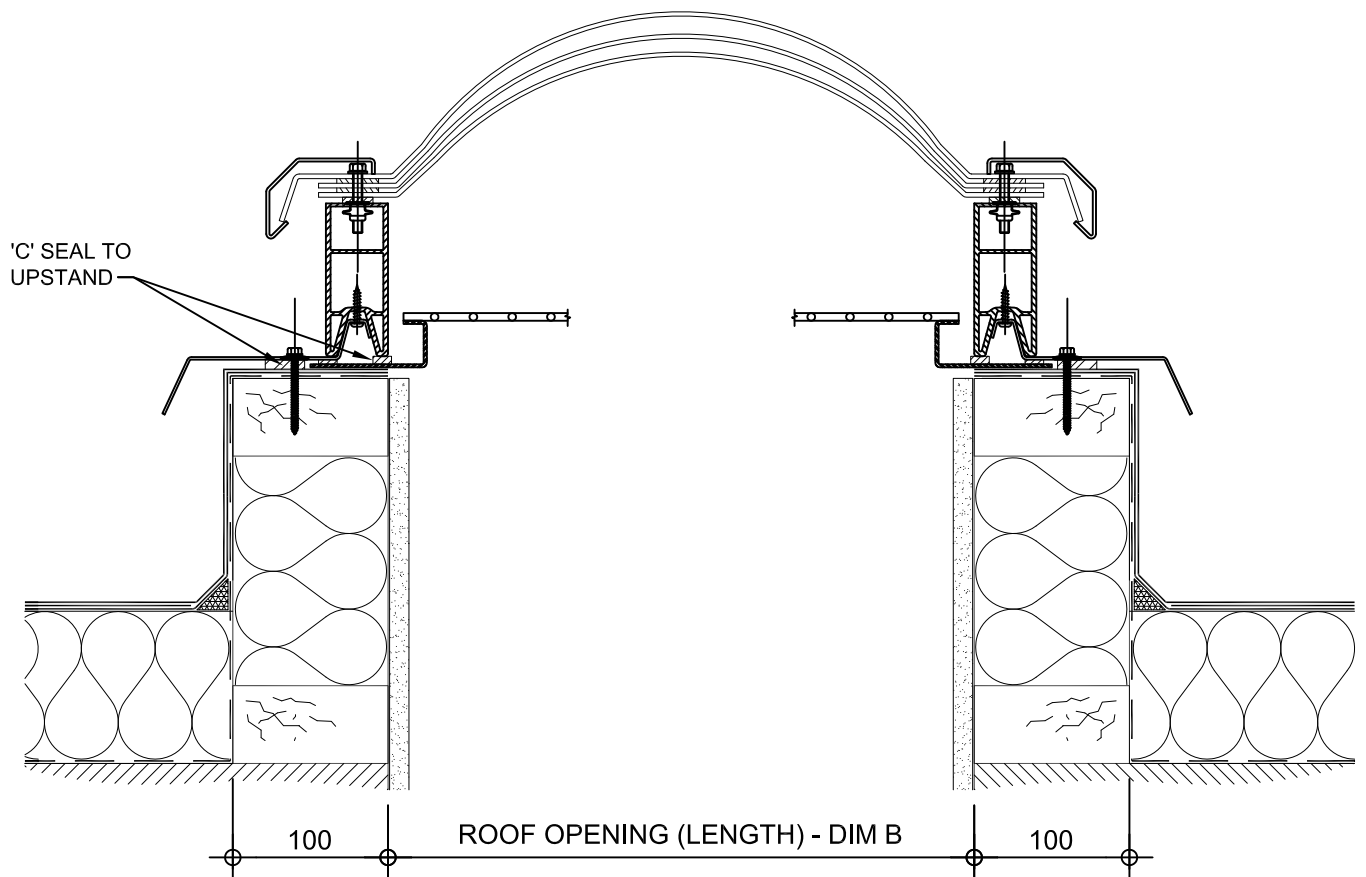
ROOF FINISHES BY OTHERS

FILLET BY OTHERS

ROOF INSULATION BY OTHERS



SECTION A - A



SECTION B - B

REV:	DATE:	DESCRIPTION:	DRN BY	DESCRIPTION:			
1	29.11.13	Upstand details revised	IW	100mm high uPVC X2V adaptor kerb upstand, Unventilated with triple skin polycarbonate dome, Intruder grid & security frame.			
0	20.09.12	New modular drawings released	IW				
		DRAWN BY:	CREATION DATE:	CHECKED BY:	SCALE(S)	REVISION:	
		IW	19-Dec-13		1:5 @ A3	1	
				<b>Xtralite (Rooflights) Limited</b> Spencer Road, Blyth Industrial Estate, Blyth, Northumberland, NE24 5TG T:01670 354 157 F:01670 364 875 E:sales@xtralite.co.uk W:www.xtralite.co.uk			

**Xtralite**  
ROOFLIGHTS

DRG No.  
 XT-X2V-D-00-IG-SF