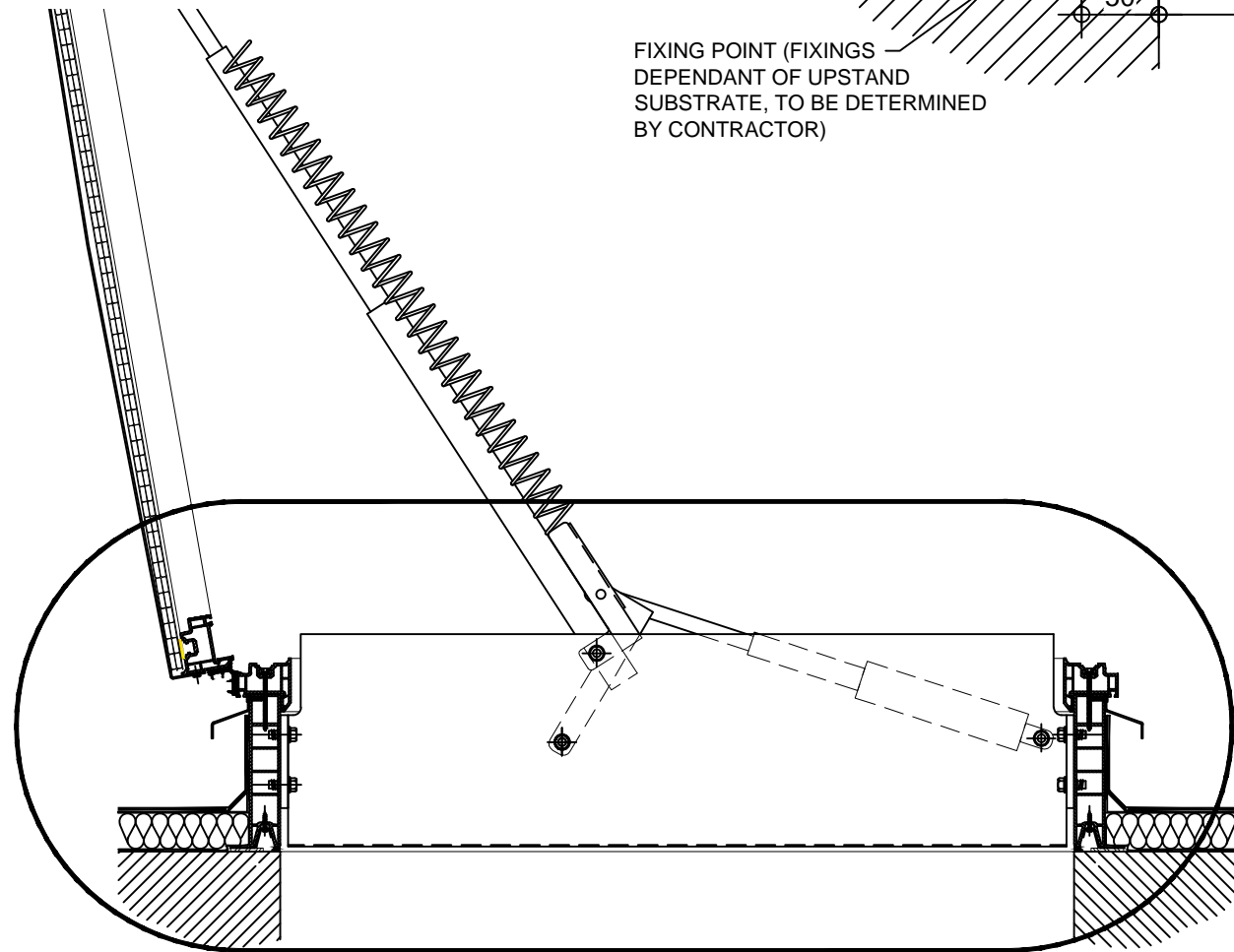
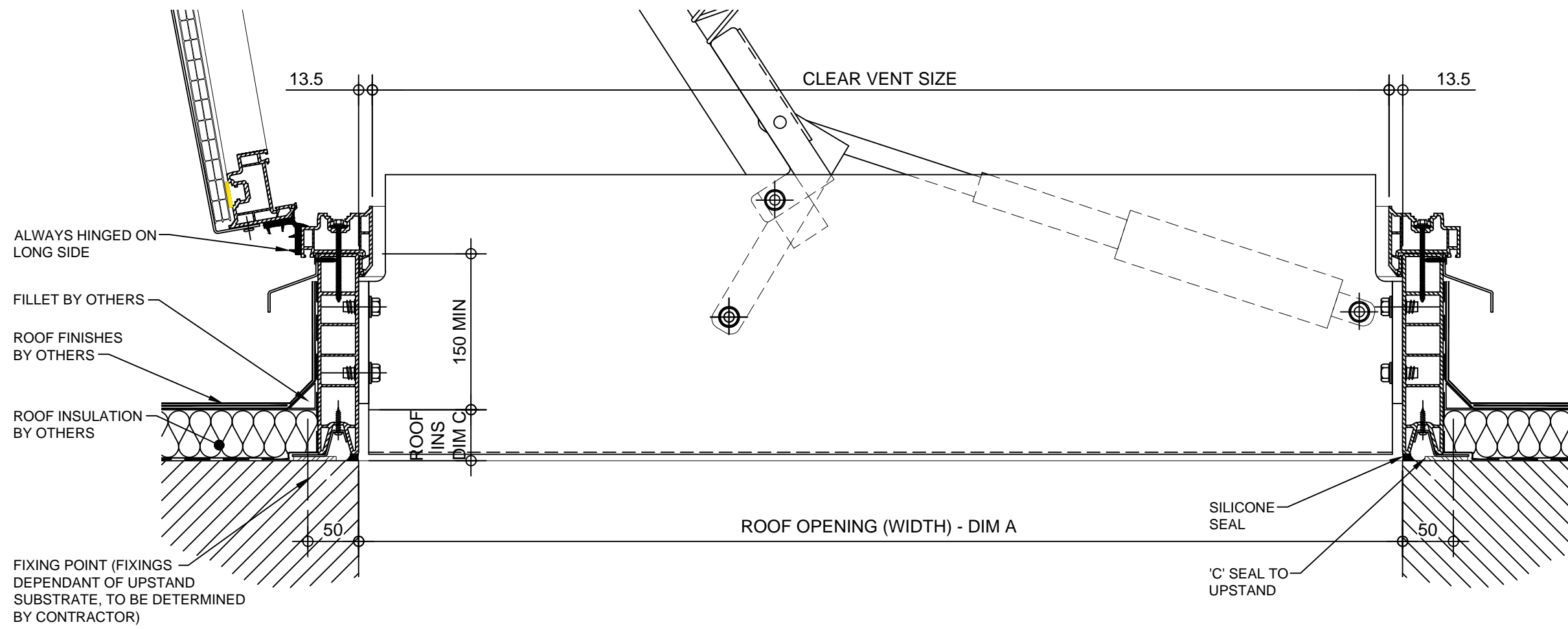



PLAN ON AOV



SECTION A - A

Kerb Specification:
X2V kerb constructed from self finish white uPVC

Typical Glazing Specification:
2mm thick polyester powder coated aluminium with 16mm structured polycarbonate internal liner

REV:	DATE:	DESCRIPTION:	DRN BY	DESCRIPTION:	
0	16.12.13	New modular drawings released	IW	uPVC X2V kerb direct to roof with 140° electrically operated automatic opening vent and insulated solid lid. Vent actuated via 1No centrally located concealed rotary arm motor.	
DRAWN BY:		CREATION DATE:	CHECKED BY:	SCALE(S)	REVISION:
IW		16-Dec-13	DL	1:5 @ A3	0
<p>Xtralite (Rooflights) Limited Spencer Road, Blyth Industrial Estate, Blyth, Northumberland, NE24 5TG T:01670 354 157 F:01670 364 875 E:sales@xtralite.co.uk W:www.xtralite.co.uk</p>					
					
				DRG No. XT-X2V-C-05-140-R1-ISL	