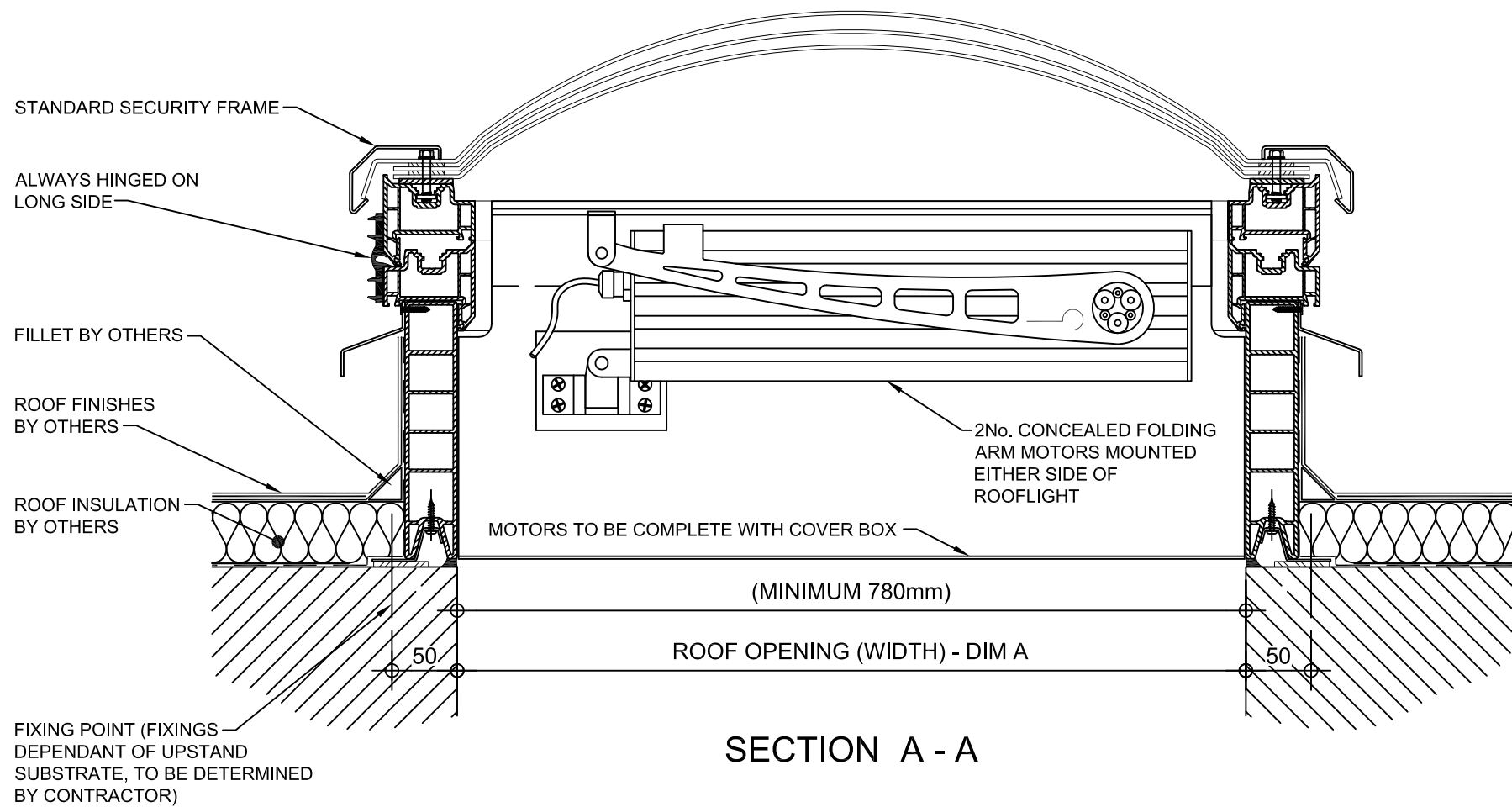


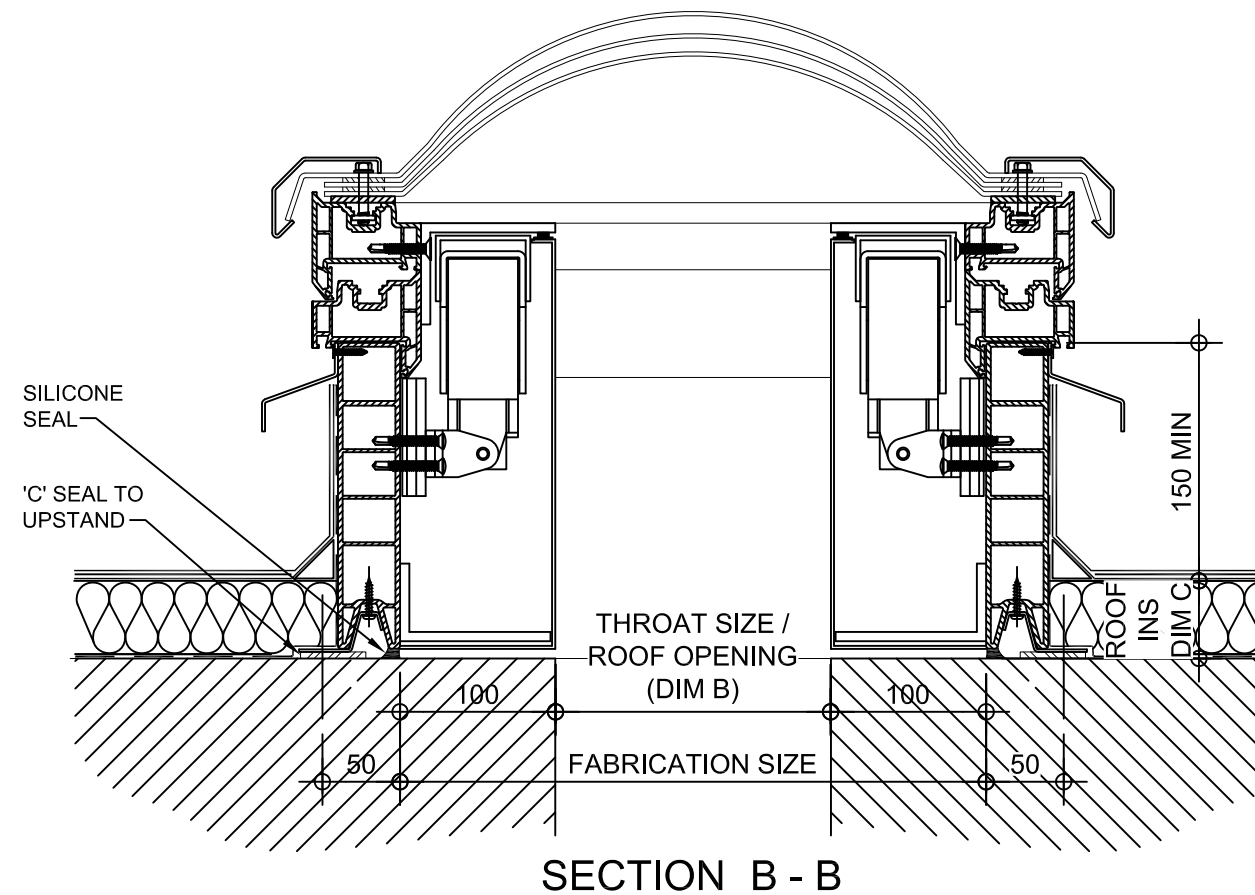
PLAN ON MODULAR ROOFLIGHT

Kerb Specification:
X2V kerb constructed from self finish white uPVC

Typical Glazing Specification:
Outer - 3mm thick clear UV protected polycarbonate
Mid - 2mm thick clear polycarbonate
Inner - 3mm thick clear polycarbonate



SECTION A - A



SECTION B - B

| REV: | DATE: | DESCRIPTION: | DRN BY | DESCRIPTION: |
|------|----------|---------------------------------|--------|---|
| 1 | 13.03.14 | Motors set back onto roof space | DL | uPVC X2V kerb direct to roof with 140° electrically operated automatic opening vent. Triple skin polycarbonate dome and security frame, Vent actuated via 2No concealed folding arm motors. |
| 0 | 16.12.13 | New modular drawings released | IW | |
| | | | | DRAWN BY: IW |
| | | | | CREATION DATE: 16-Dec-13 |
| | | | | CHECKED BY: DL |
| | | | | SCALE(S): 1:5 @ A3 |
| | | | | REVISION: 1 |
| | | | | Xtralite (Rooflights) Limited |
| | | | | Spencer Road, Blyth Industrial Estate, Blyth, Northumberland, NE24 5TG |
| | | | | T:01670 354 157 F:01670 364 875 E:sales@xtralite.co.uk W:www.xtralite.co.uk |



DRG No.
XT-X2V-C-05-140-FA2-CM-SF