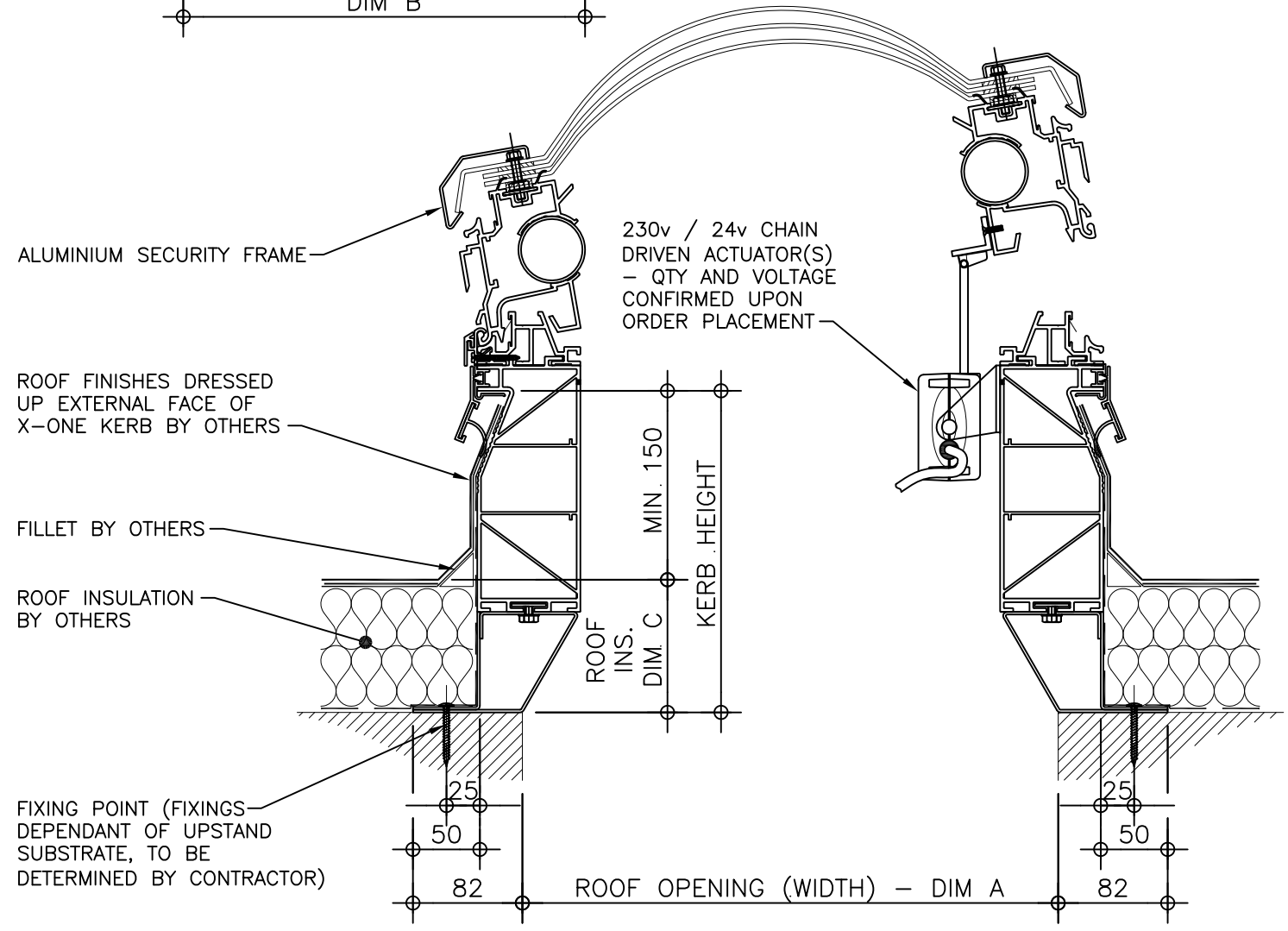


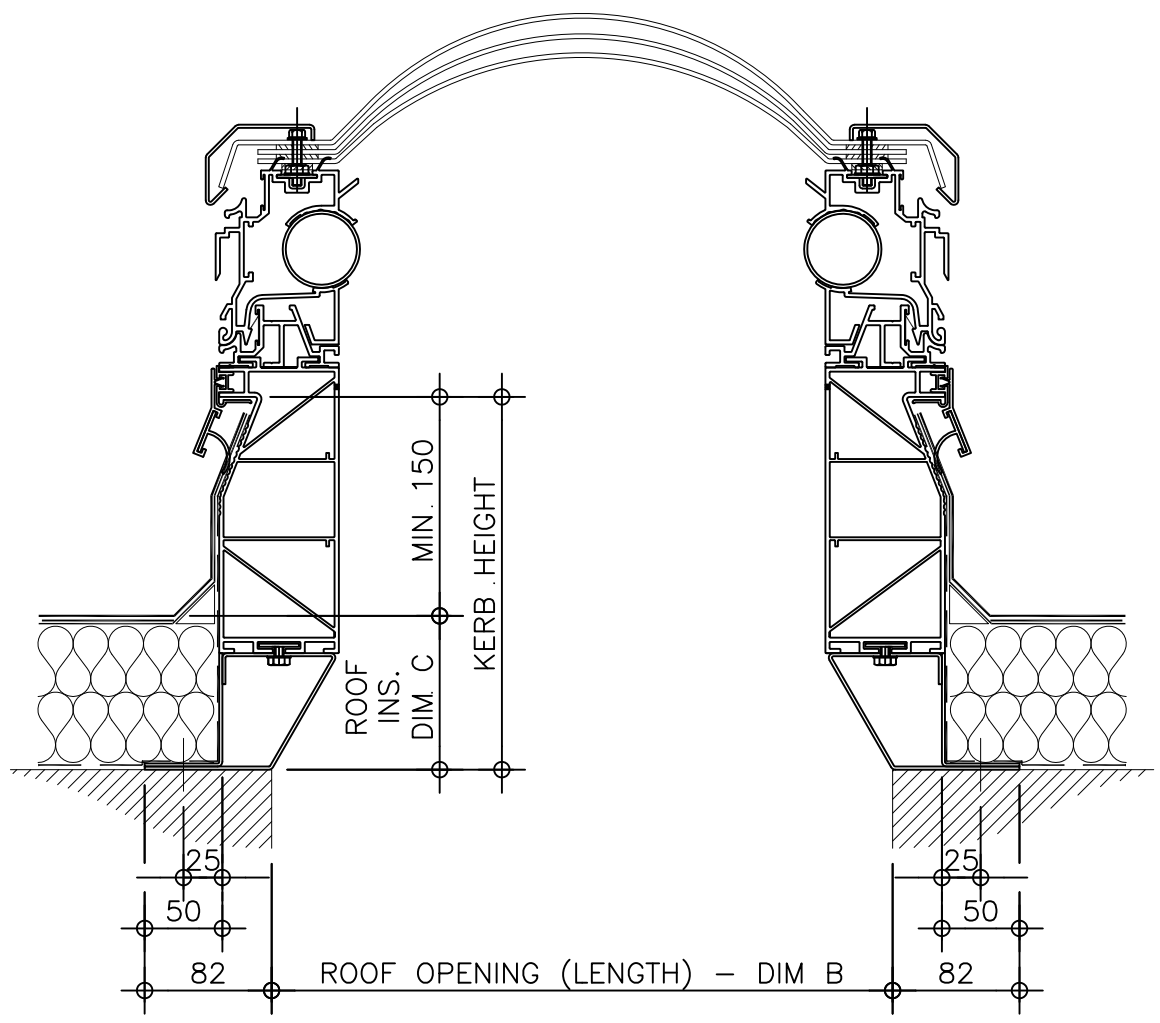
PLAN ON MODULAR ROOFLIGHT

Kerb Specification:
 The X-One rooflight kerb is constructed from extruded uPVC sections, white in colour.
 Metal foot polyester powder coated:-
 Colour: White
 RAL: 9910 Gloss

Typical Glazing Specification:
 Outer - 3mm thick clear UV protected polycarbonate
 Mid - 2mm thick clear polycarbonate
 Inner - 3mm thick clear polycarbonate



SECTION A - A



SECTION B - B

REV:	DATE:	DESCRIPTION:	DRN BY	DESCRIPTION:			
1	18.12.13	All X-One-A drawings revised	DL	Linear Motor ventilated uPVC upstand with flexible base kerb, fixed direct to roof with triple skin polycarbonate dome and security frame. Vent actuated via chain driven actuator(s) - quantity and voltage to be confirmed on order placement.			
0	22.03.12	Issued for approval / comments	IW				
		DRAWN BY:	CREATION DATE:	CHECKED BY:	SCALE(S)	REVISION:	
		IW	18-Dec-13	DL	1:5 @ A3	1	
				Xtralite (Rooflights) Limited Spencer Road, Blyth Industrial Estate, Blyth, Northumberland, NE24 5TG T:01670 354 157 F:01670 364 875 E:sales@xtralite.co.uk W:www.xtralite.co.uk			



DRG No.
XT-X1-A-06-SF