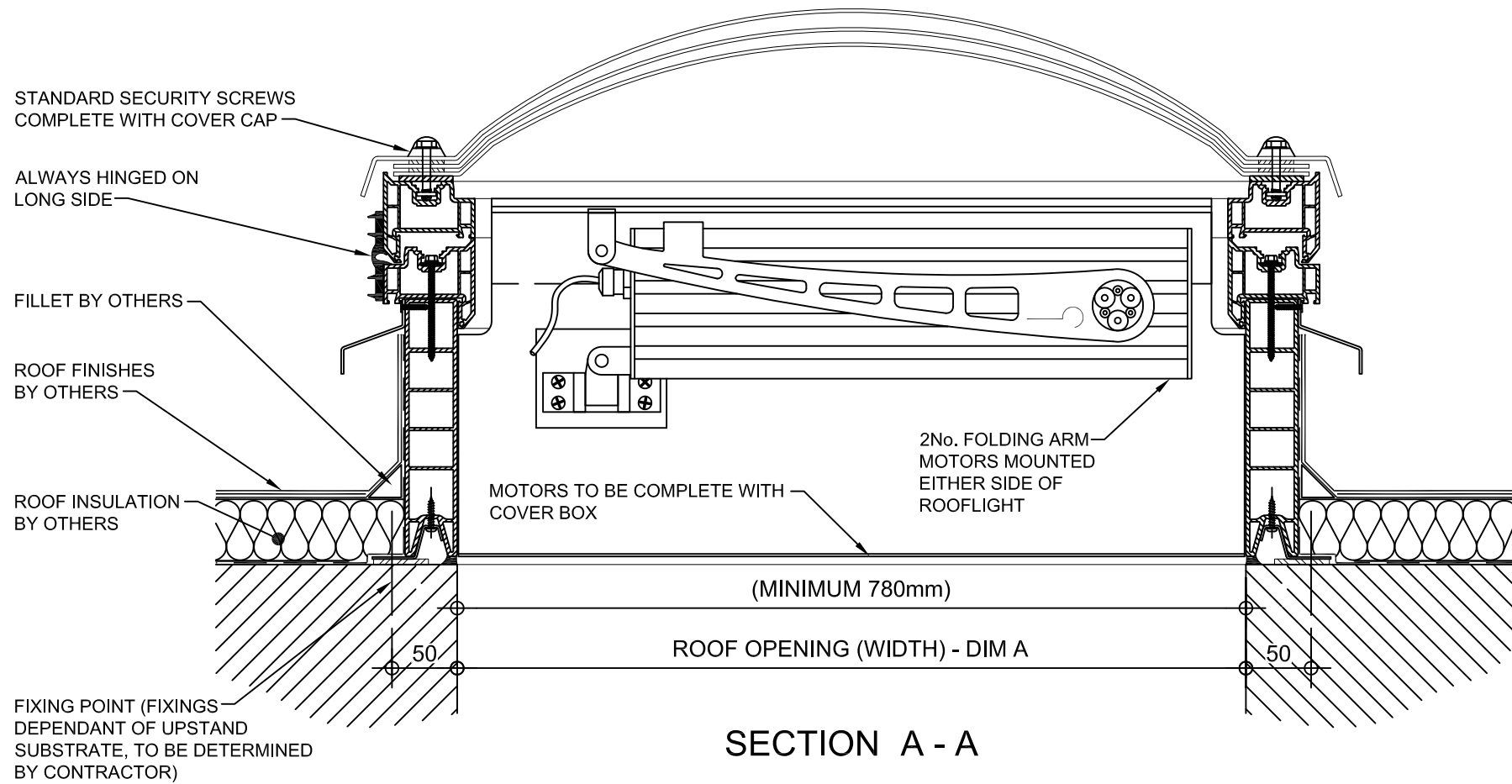


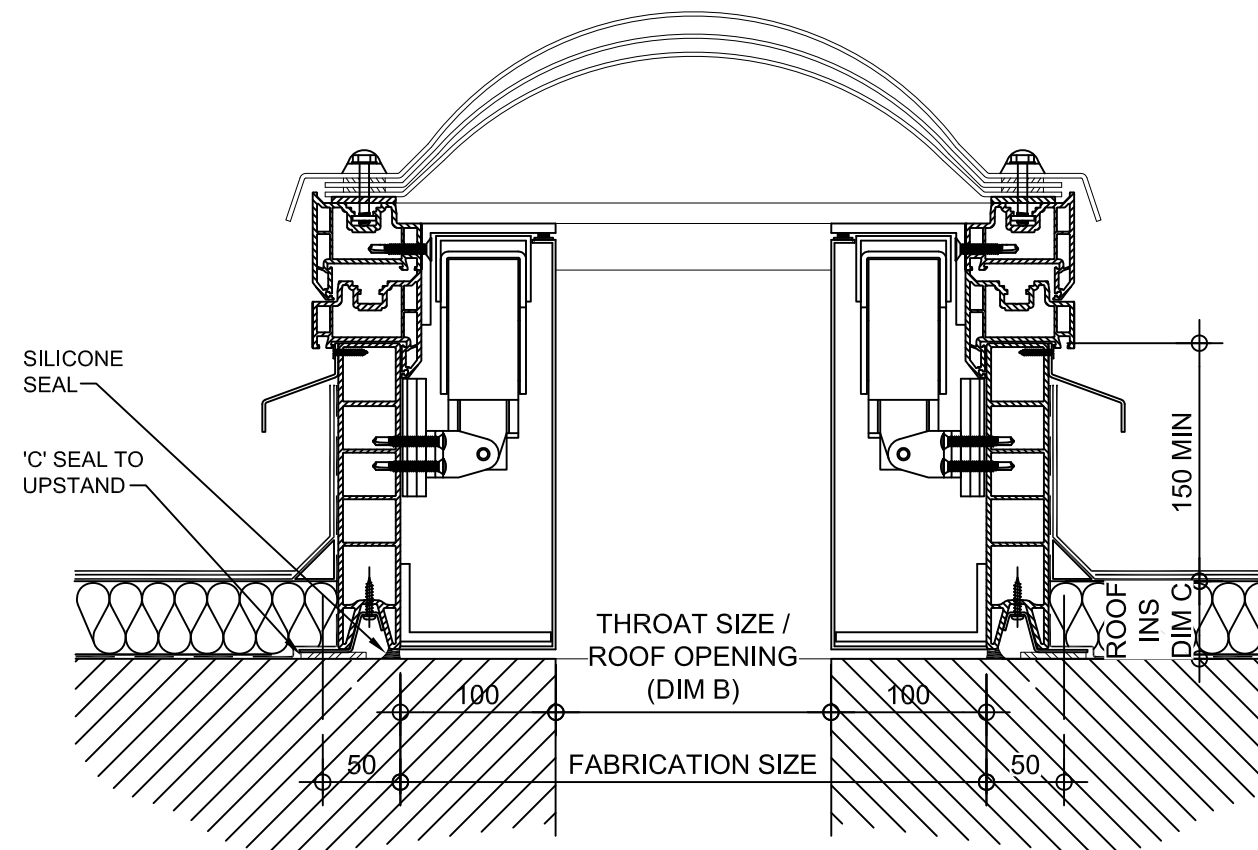
PLAN ON MODULAR ROOFLIGHT

Kerb Specification:
X2V kerb constructed from self finish white uPVC

Typical Glazing Specification:
Outer - 3mm thick clear UV protected polycarbonate
Mid - 2mm thick clear polycarbonate
Inner - 3mm thick clear polycarbonate



SECTION A - A



SECTION B - B

REV:	DATE:	DESCRIPTION:	DRN BY	DESCRIPTION:
1	13.03.14	Motors set back onto roof space	DL	uPVC X2V kerb direct to roof with 140° electrically operated automatic opening vent, Triple skin polycarbonate dome and standard security fixings. Vent actuated via 2No concealed folding arm motors.
0	16.12.13	New modular drawings released	IW	
				DRAWN BY: IW
				CREATION DATE: 16-Dec-13
				CHECKED BY: DL
				SCALE(S): 1:5 @ A3
				REVISION: 1
				Xtralite (Rooflights) Limited
				Spencer Road, Blyth Industrial Estate, Blyth, Northumberland, NE24 5TG
				T:01670 354 157 F:01670 364 875 E:sales@xtralite.co.uk W:www.xtralite.co.uk



DRG No.
XT-X2V-C-05-140-FA2-CM-SS