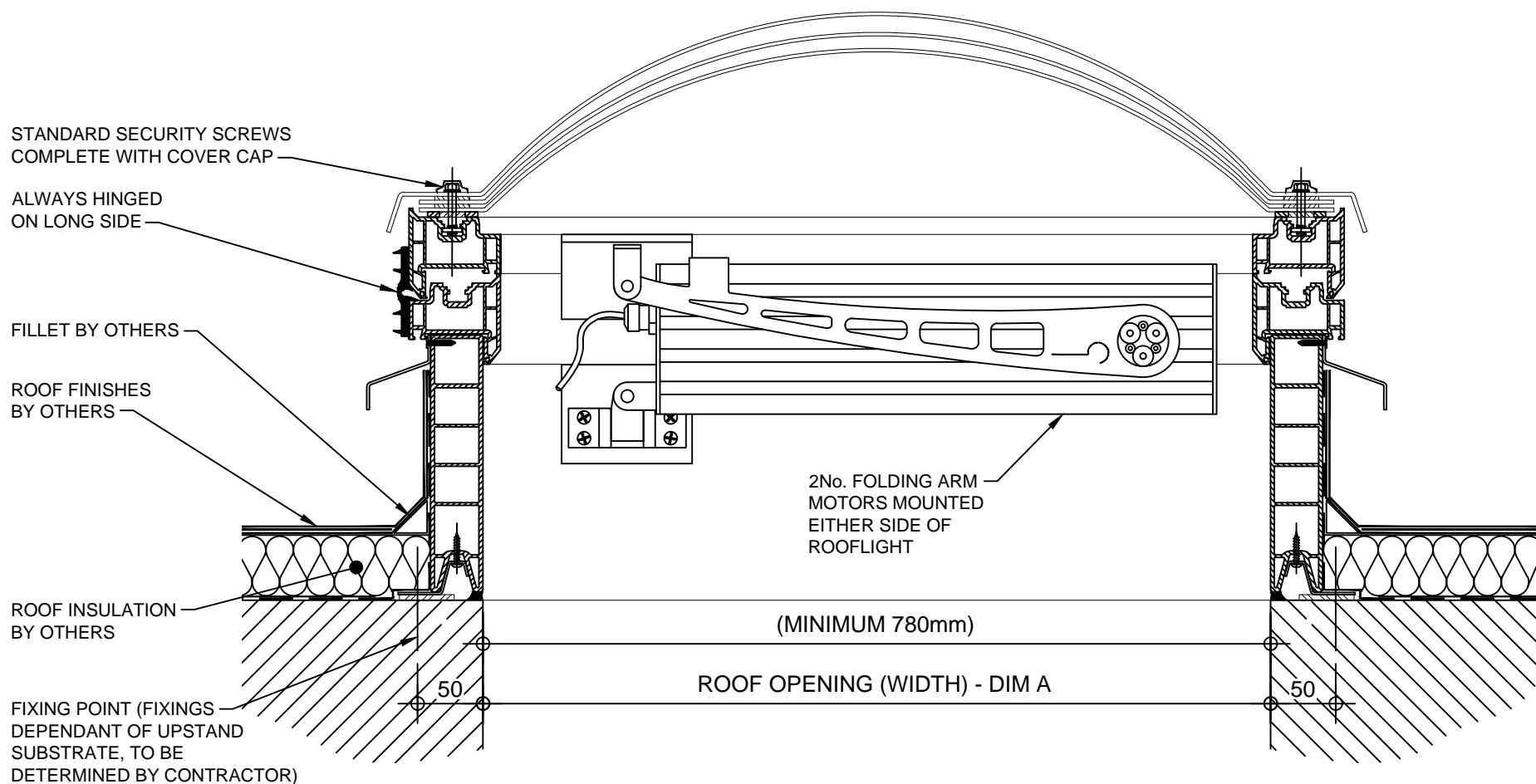
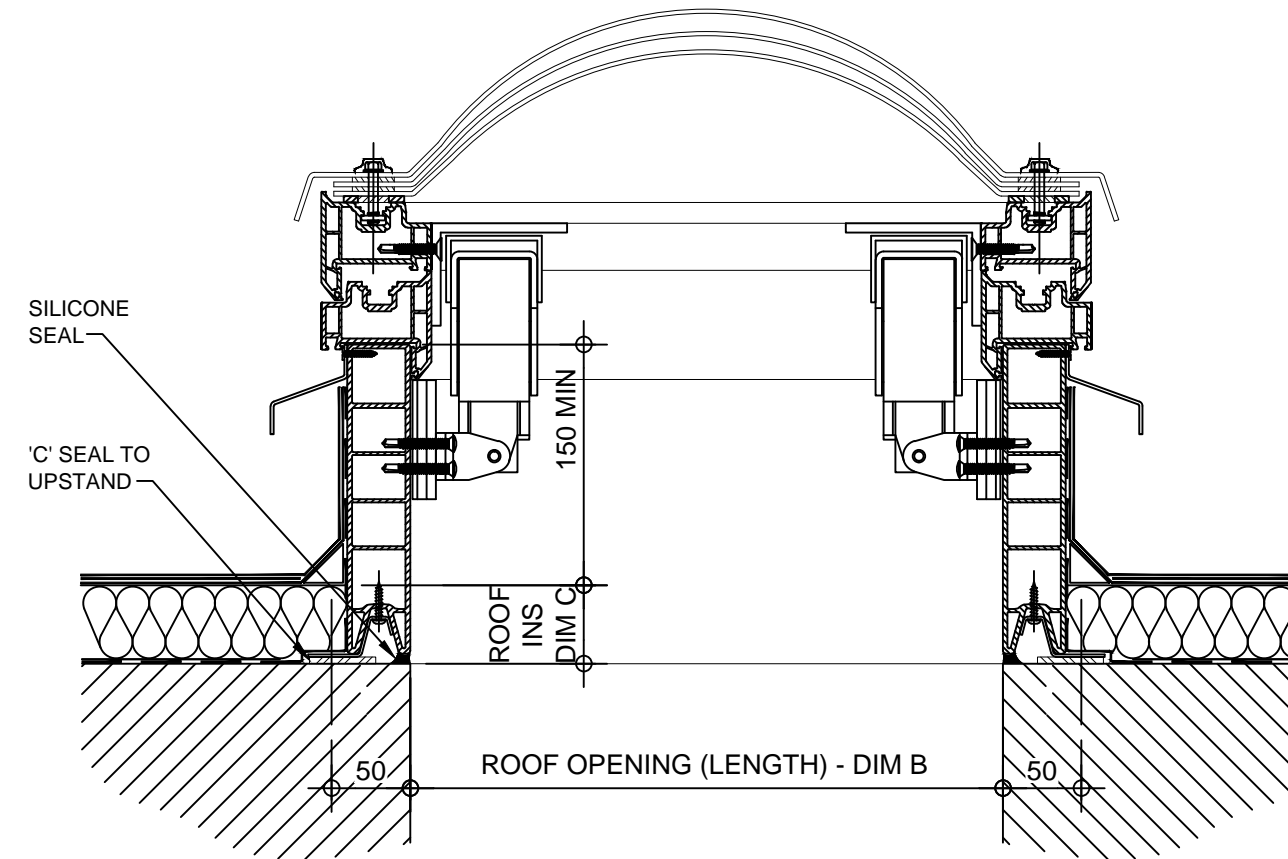


Kerb Specification:
 X2V kerb constructed from self finish white uPVC

Typical Glazing Specification:
 Outer - 3mm thick clear UV protected polycarbonate
 Mid - 2mm thick clear polycarbonate
 Inner - 3mm thick clear polycarbonate



SECTION A - A



SECTION B - B

REV:	DATE:	DESCRIPTION:	DRN BY	DESCRIPTION:
1	16.12.13	Updated to show single stack	IW	uPVC X2V kerb direct to roof with 140° electrically operated automatic opening vent, Triple skin polycarbonate dome and standard security fixings. Vent actuated via 2No folding arm motors.
0	06.12.12	New modular drawings released	IW	
				DRAWN BY: IW
				CREATION DATE: 16-Dec-13
				CHECKED BY: DL
				SCALE(S): 1:5 @ A3
				REVISION: 0
				Xtralite (Rooflights) Limited
				Spencer Road, Blyth Industrial Estate, Blyth, Northumberland, NE24 5TG
				T:01670 354 157 F:01670 364 875 E:sales@xtralite.co.uk W:www.xtralite.co.uk
				Xtralite ROOFLIGHTS
				DRG No. XT-X2V-C-05-140-FA2-SS