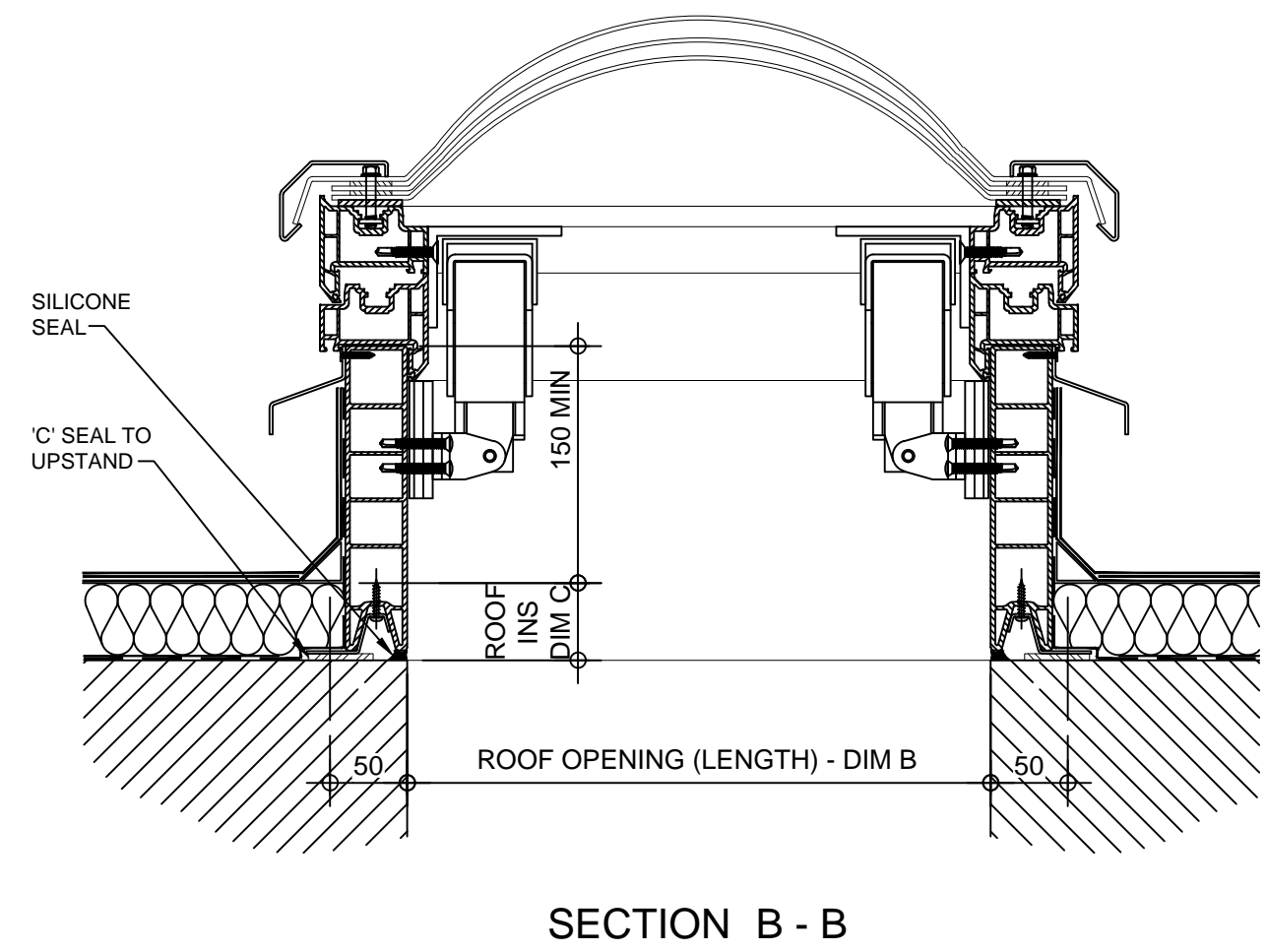
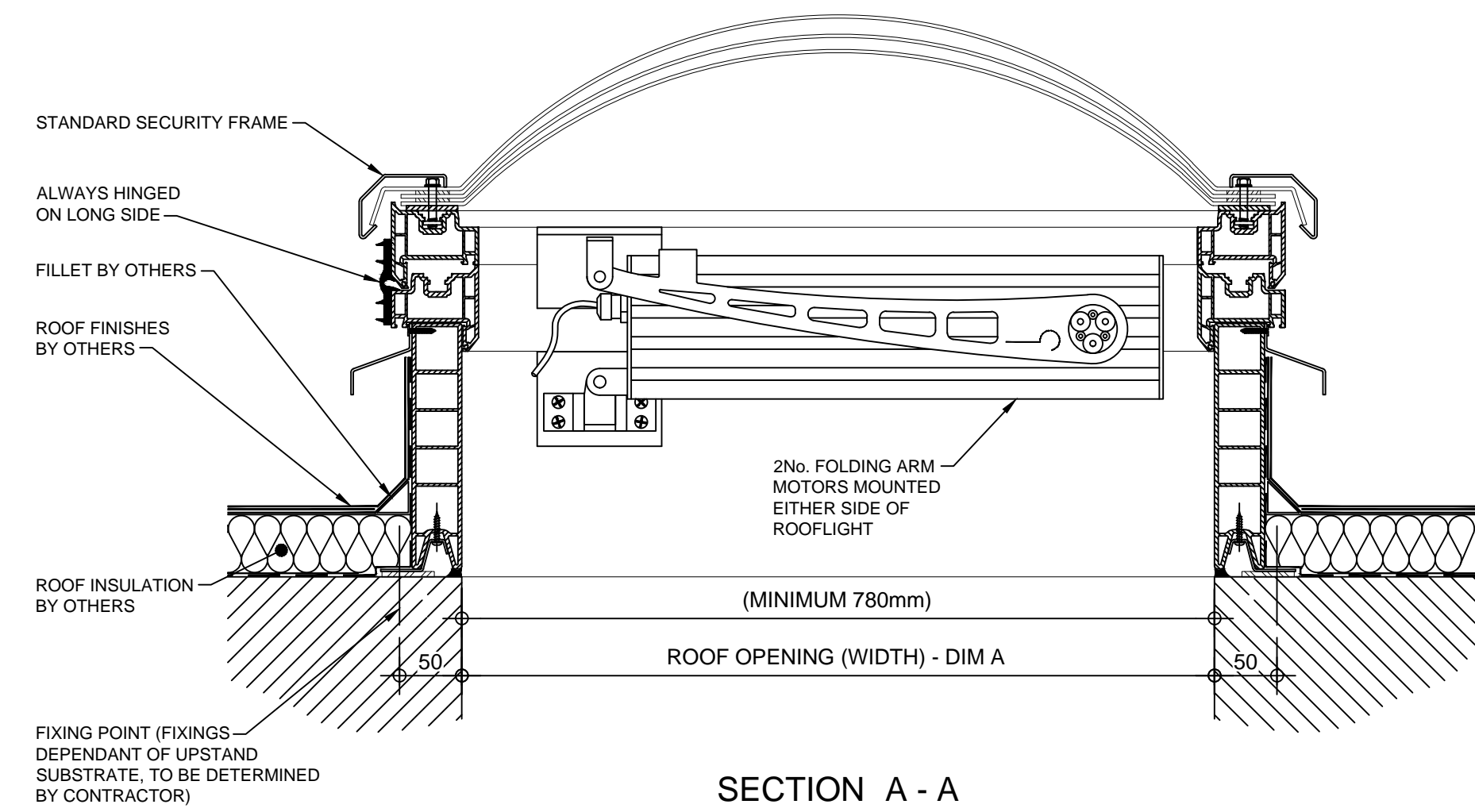


**Kerb Specification:**  
 X2V kerb constructed from self finish white uPVC

**Typical Glazing Specification:**  
 Outer - 3mm thick clear UV protected polycarbonate  
 Mid - 2mm thick clear polycarbonate  
 Inner - 3mm thick clear polycarbonate



REV:	DATE:	DESCRIPTION:	DRN BY	DESCRIPTION:
1	16.12.13	Updated to show single stack	IW	uPVC X2V kerb direct to roof with 140° electrically operated automatic opening vent. Triple skin polycarbonate dome and security frame, Vent actuated via 2No folding arm motors.
0	06.12.12	New modular drawings released	IW	
				DRAWN BY: IW
				CREATION DATE: 16-Dec-13
				CHECKED BY: DL
				SCALE(S): 1:5 @ A3
				REVISION: 0
				<b>Xtralite (Rooflights) Limited</b>
				Spencer Road, Blyth Industrial Estate, Blyth, Northumberland, NE24 5TG
				T:01670 354 157 F:01670 364 875 E:sales@xtralite.co.uk W:www.xtralite.co.uk

**Xtralite**  
**ROOFLIGHTS**

DRG No.  
 XT-X2V-C-05-140-FA2-SF