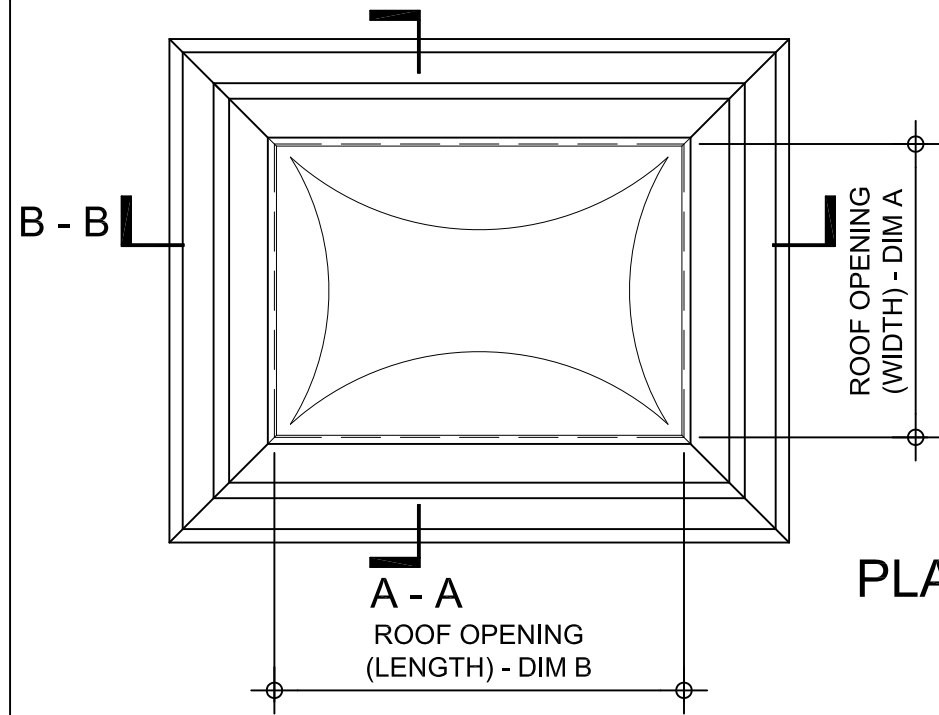
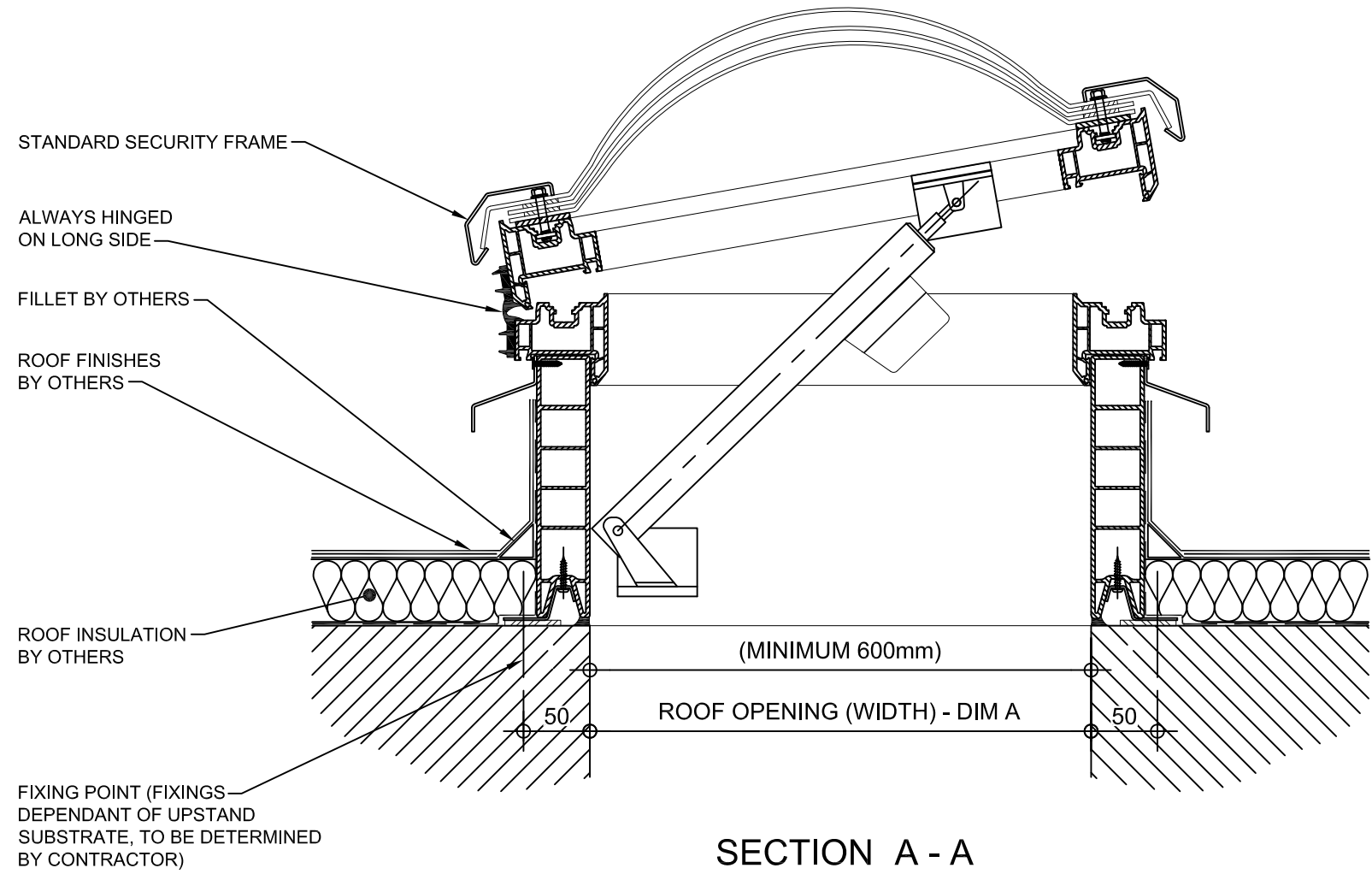


**Kerb Specification:**  
 X2V kerb constructed from self finish white uPVC

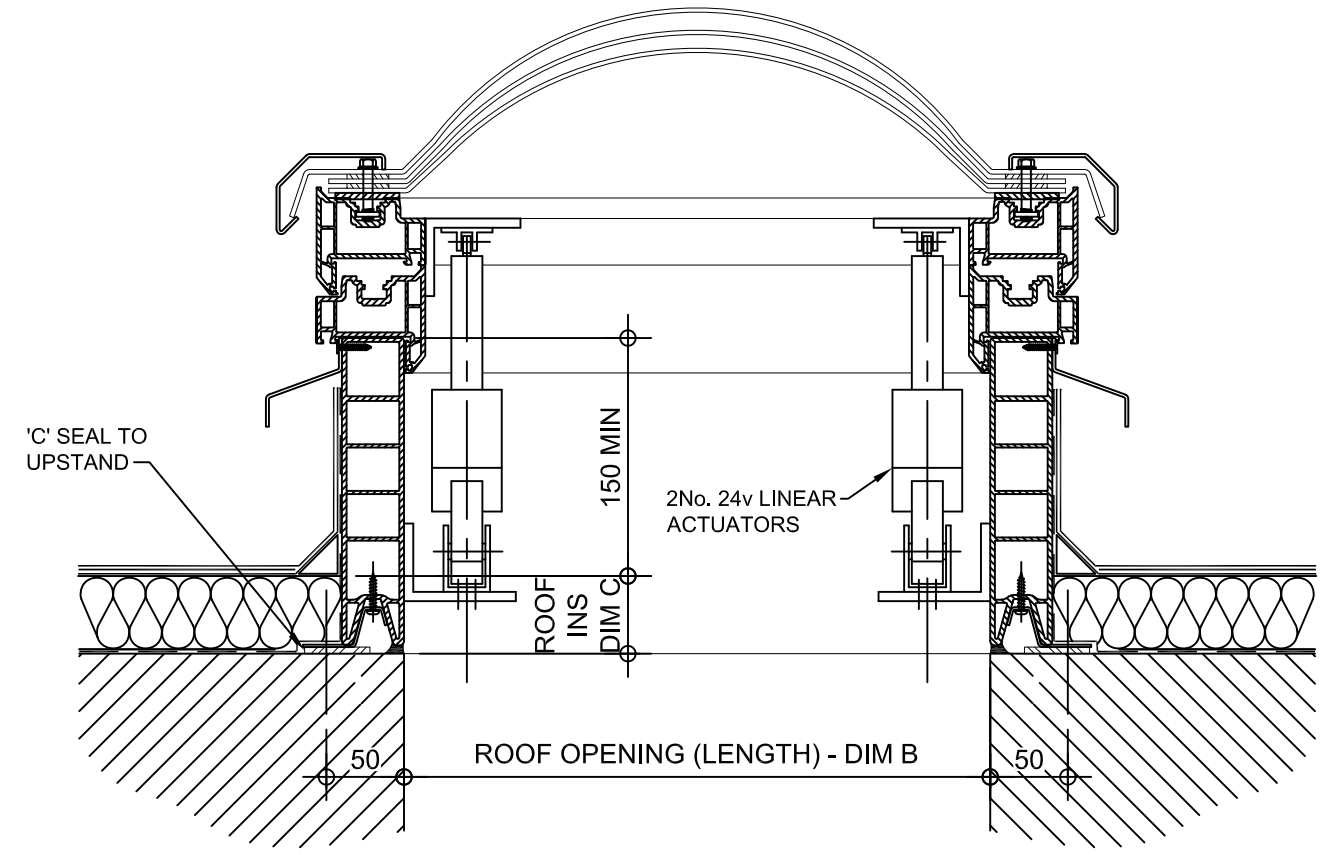
**Typical Glazing Specification:**  
 Outer - 3mm thick clear UV protected polycarbonate  
 Mid - 2mm thick clear polycarbonate  
 Inner - 3mm thick clear polycarbonate




**PLAN ON MODULAR ROOFLIGHT**



**SECTION A - A**



**SECTION B - B**

REV:	DATE:	DESCRIPTION:	DRN BY	DESCRIPTION:				
1	29.11.13	Updated to show single stack	IW	uPVC X2V kerb direct to roof with 90° electrically operated automatic opening vent. Triple skin polycarbonate dome and security frame.				
0	06.12.12	New modular drawings released	IW					
		DRAWN BY:	CREATION DATE:	CHECKED BY:	SCALE(S)	REVISION:		
		IW	29-Nov-13	DL	1:5 @ A3	1		
<b>Xtralite (Rooflights) Limited</b> Spencer Road, Blyth Industrial Estate, Blyth, Northumberland, NE24 5TG T:01670 354 157 F:01670 364 875 E:sales@xtralite.co.uk W:www.xtralite.co.uk					DRG No. <b>XT-X2V-C-05-90-SF</b>			