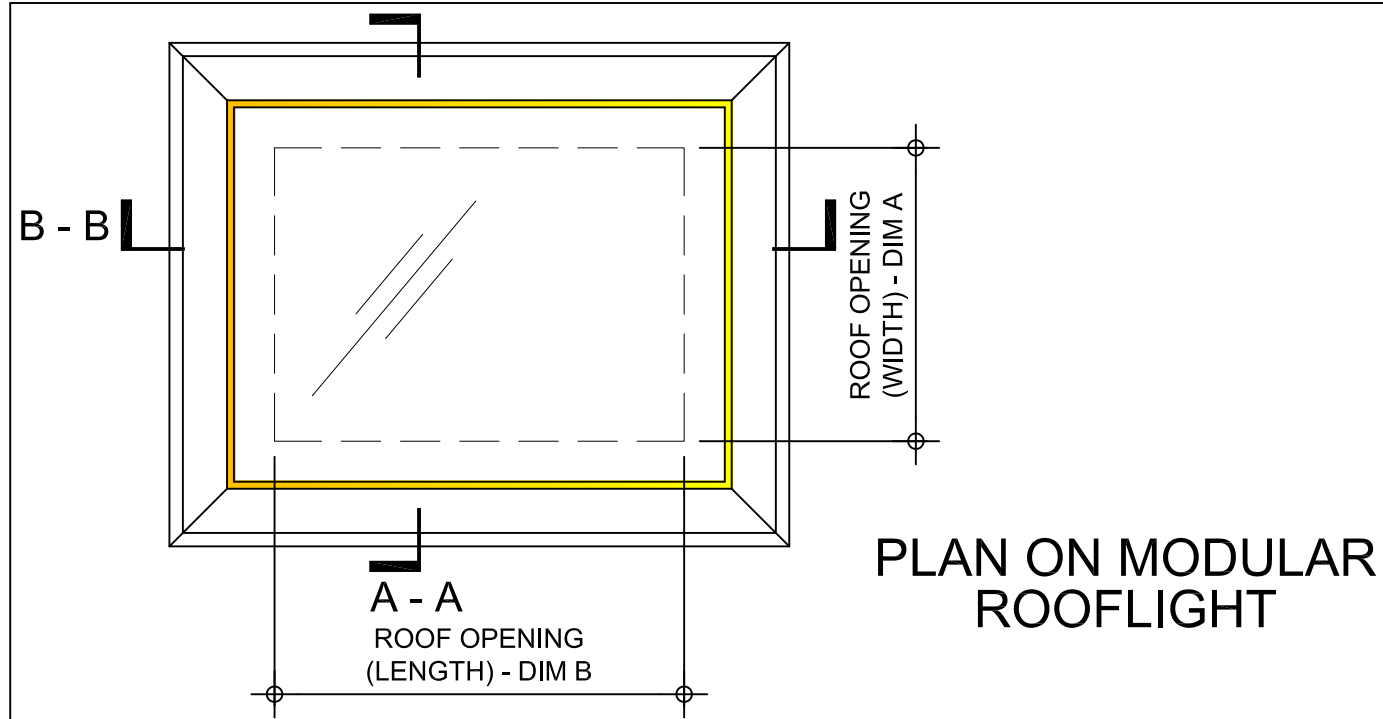
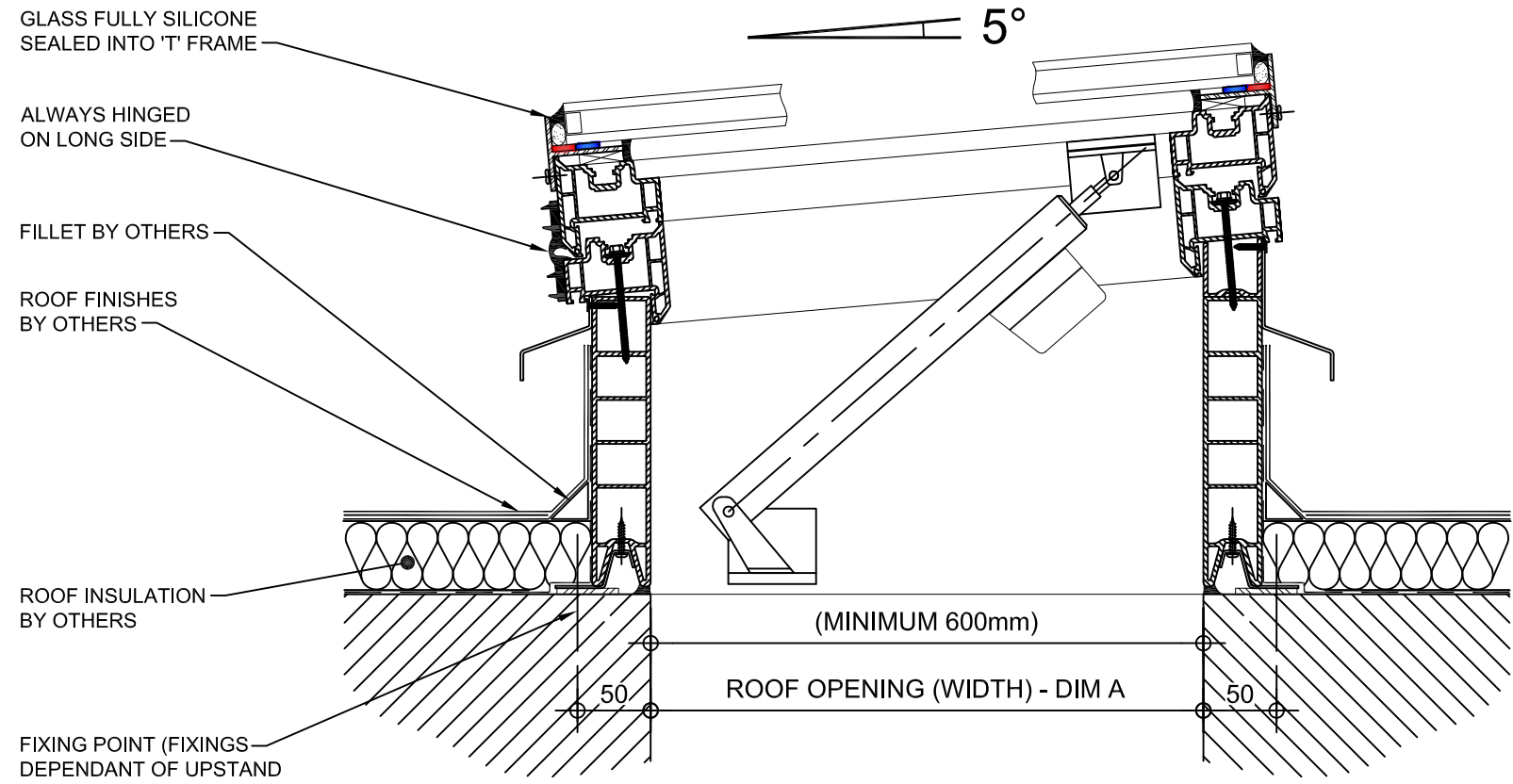


**Kerb Specification:**  
 X2V kerb constructed from self finish white uPVC

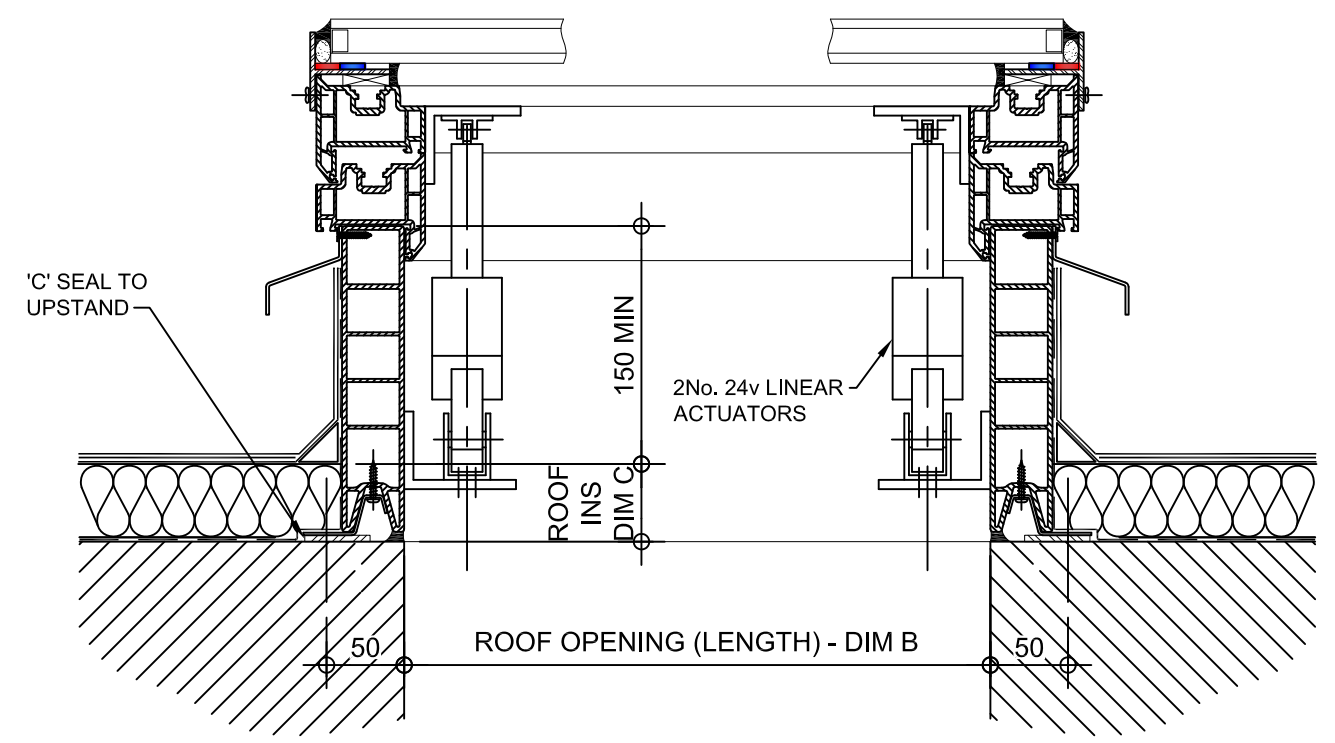
**Typical Glazing Specification:**  
 Outer - 6mm thick clear toughened glass  
 Core - 16mm thick air filled cavity  
 Inner - 6.4mm thick clear laminated low 'E' glass



**PLAN ON MODULAR ROOFLIGHT**



**SECTION A - A**



**SECTION B - B**

REV:	DATE:	DESCRIPTION:	DRN BY	DESCRIPTION:	
1	29.11.13	Updated to show single stack	IW	uPVC X2V kerb direct to roof with 90° electrically operated automatic opening vent and double glazed pitched glass top.	
0	06.12.12	New modular drawings released	IW		
DRAWN BY:		CREATION DATE:	CHECKED BY:	SCALE(S)	REVISION:
IW		29-Nov-13	DL	1:5 @ A3	1
<b>Xtralite (Rooflights) Limited</b> Spencer Road, Blyth Industrial Estate, Blyth, Northumberland, NE24 5TG T:01670 354 157 F:01670 364 875 E:sales@xtralite.co.uk W:www.xtralite.co.uk					

**Xtralite**  
**ROOFLIGHTS**

DRG No.  
**XT-X2V-C-05-90-IGLP**