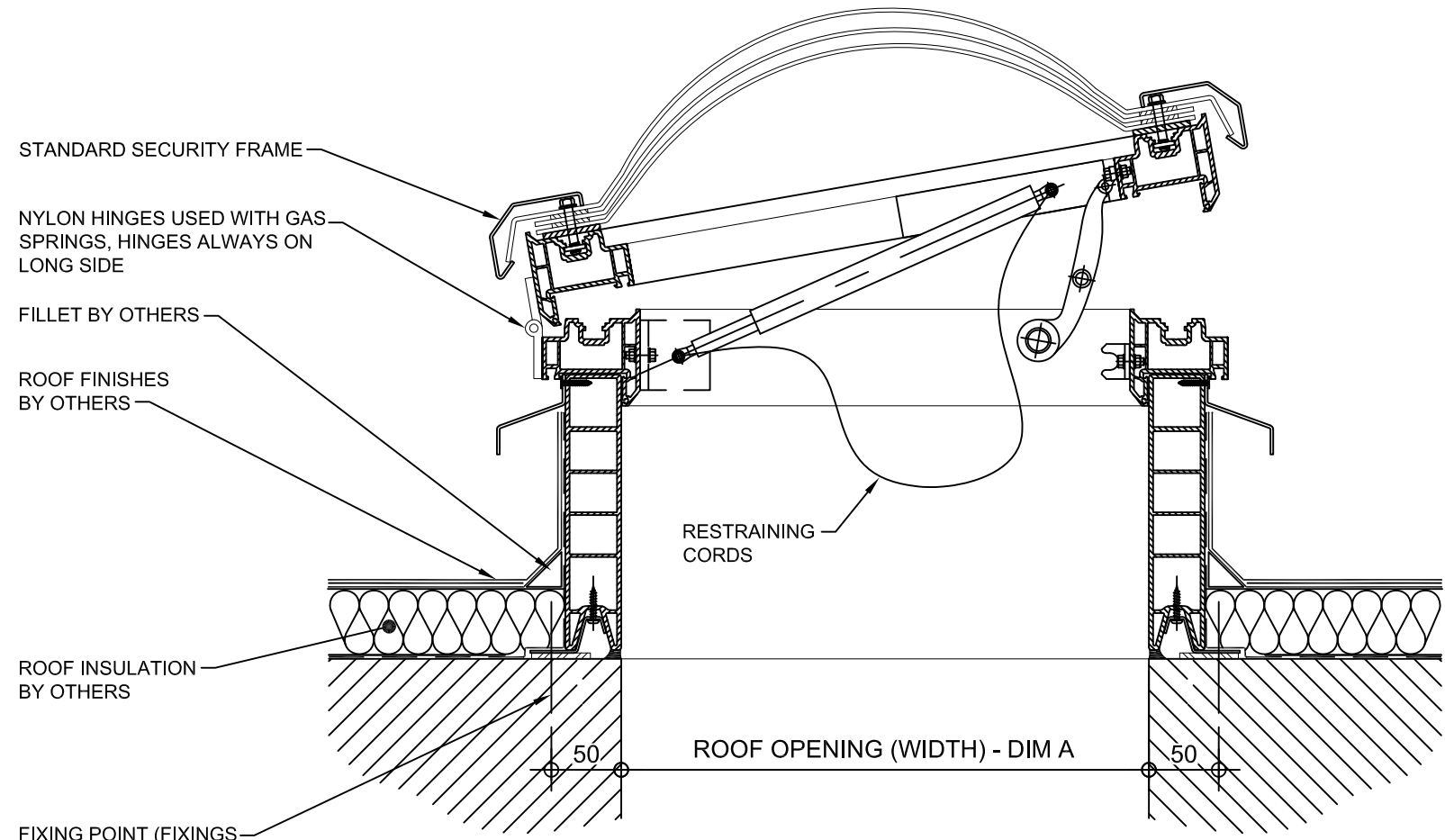


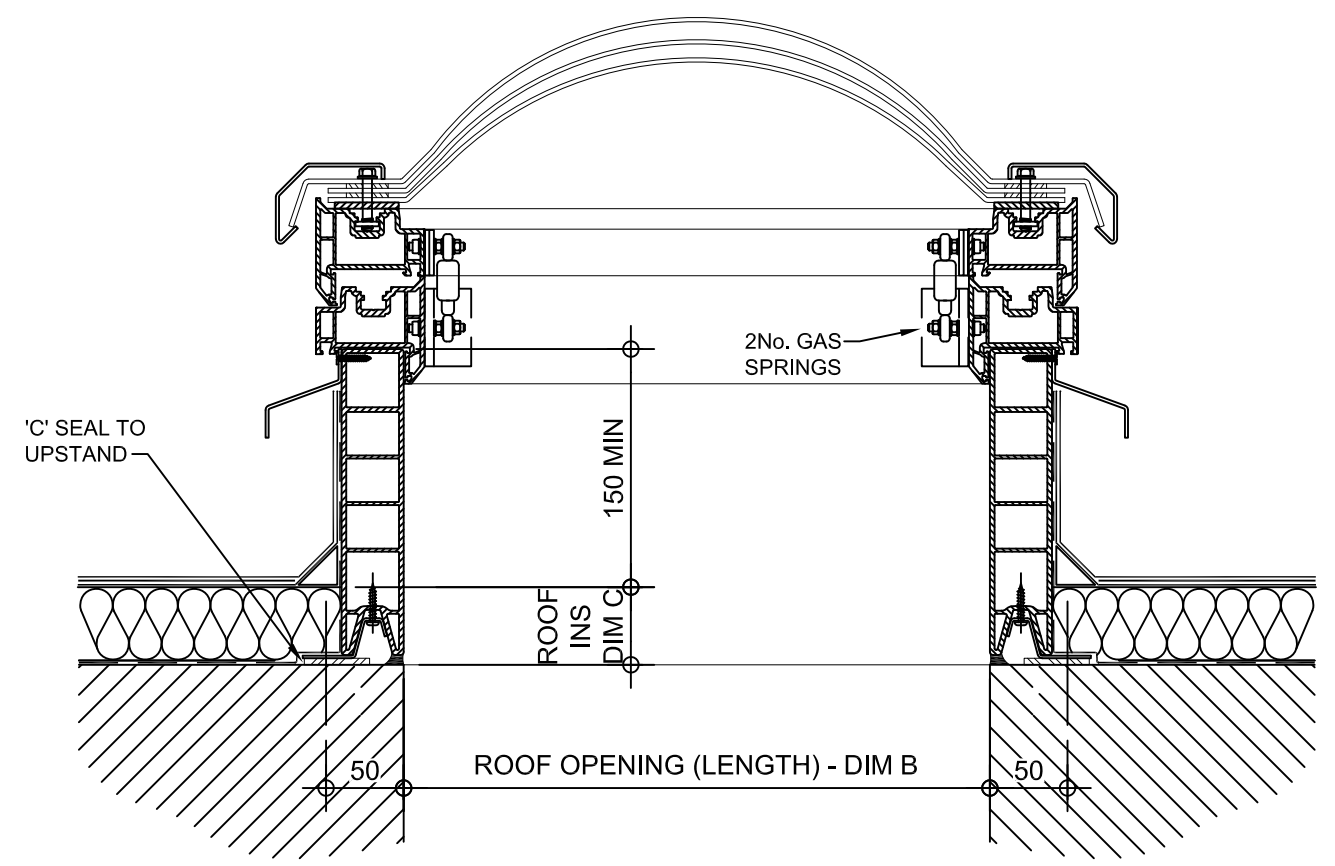
PLAN ON MODULAR ROOFLIGHT

Kerb Specification:
X2V kerb constructed from self finish white uPVC

Typical Glazing Specification:
Outer - 3mm thick clear UV protected polycarbonate
Mid - 2mm thick clear polycarbonate
Inner - 3mm thick clear polycarbonate



SECTION A - A



SECTION B - B

FIXING POINT (FIXINGS DEPENDANT OF UPSTAND SUBSTRATE, TO BE DETERMINED BY CONTRACTOR)

REV:	DATE:	DESCRIPTION:	DRN BY	DESCRIPTION:				
1	29.11.13	Updated to show single stack	IW	uPVC X2V kerb direct to roof. Access hatch with gas spring opening, Triple skin polycarbonate dome and security frame.				
0	06.12.12	New modular drawings released	IW					
		DRAWN BY:	CREATION DATE:	CHECKED BY:	SCALE(S)	REVISION:		
		IW	19-Dec-13	DL	1:5 @ A3	1		
Xtralite (Rooflights) Limited Spencer Road, Blyth Industrial Estate, Blyth, Northumberland, NE24 5TG T:01670 354 157 F:01670 364 875 E:sales@xtralite.co.uk W:www.xtralite.co.uk					DRG No. XT-X2V-C-04G-SF			