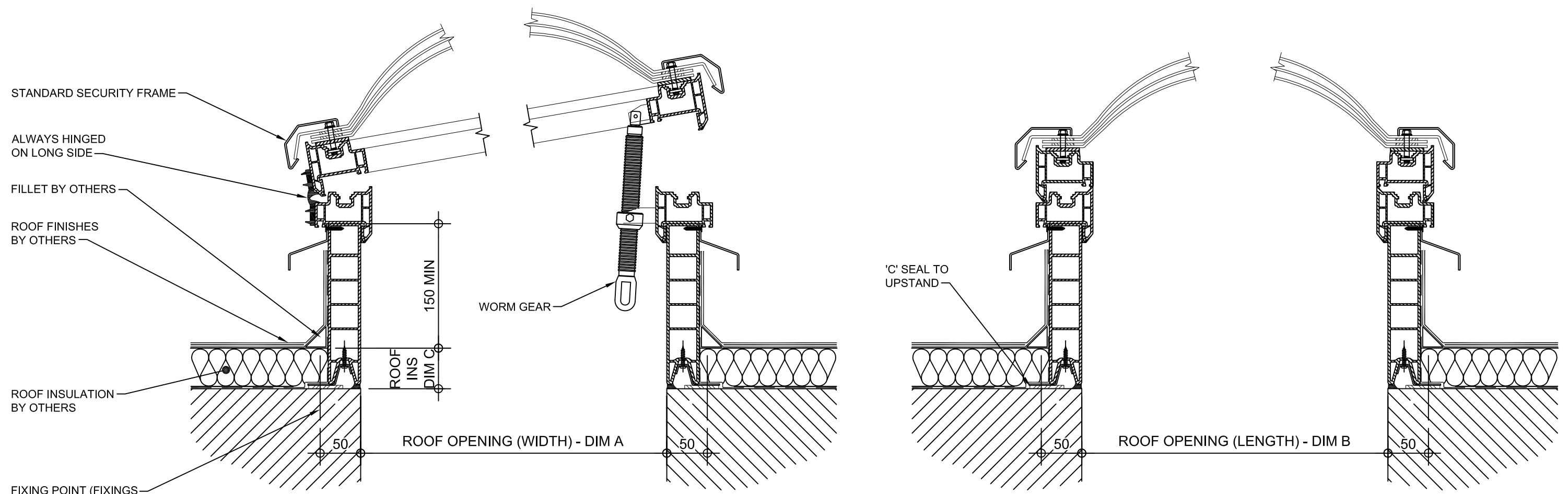


**PLAN ON MODULAR  
ROOFLIGHT**

**Kerb Specification:**  
X2V kerb constructed from self finish  
white uPVC

**Typical Glazing Specification:**  
Outer - 3mm thick clear UV protected  
polycarbonate  
Mid - 2mm thick clear polycarbonate  
Inner - 3mm thick clear polycarbonate



**SECTION A - A**

**SECTION B - B**

REV:	DATE:	DESCRIPTION:	DRN BY	DESCRIPTION:
1	29.11.13	Updated to show single stack	IW	uPVC X2V kerb direct to roof with wormgear opening vent, Triple skin polycarbonate dome and security frame.
0	06.12.12	New modular drawings released	IW	
				DRAWN BY: IW
				CREATION DATE: 29-Nov-13
				CHECKED BY: DL
				SCALE(S): 1:5 @ A3
				REVISION: 1
				<b>Xtralite (Rooflights) Limited</b>
				Spencer Road, Blyth Industrial Estate, Blyth, Northumberland, NE24 5TG
				T:01670 354 157 F:01670 364 875 E:sales@xtralite.co.uk W:www.xtralite.co.uk
				DRG No. XT-X2V-C-03-SF

