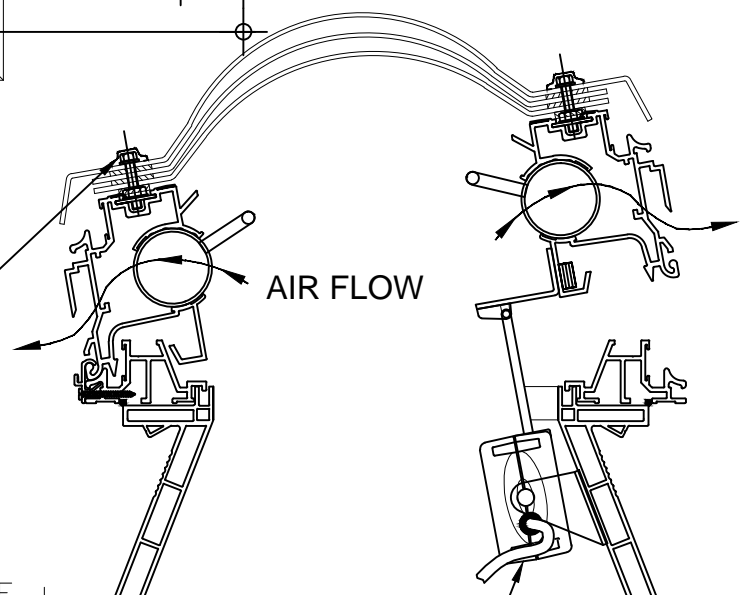


PLAN ON MODULAR ROOFLIGHT

Kerb Specification:
 X2 kerb constructed from self finish white uPVC

Typical Glazing Specification:
 Outer - 3mm thick clear UV protected polycarbonate
 Mid - 2mm thick clear polycarbonate
 Inner - 3mm thick clear polycarbonate



AIR FLOW

STANDARD SECURITY SCREWS COMPLETE WITH COVER CAPS

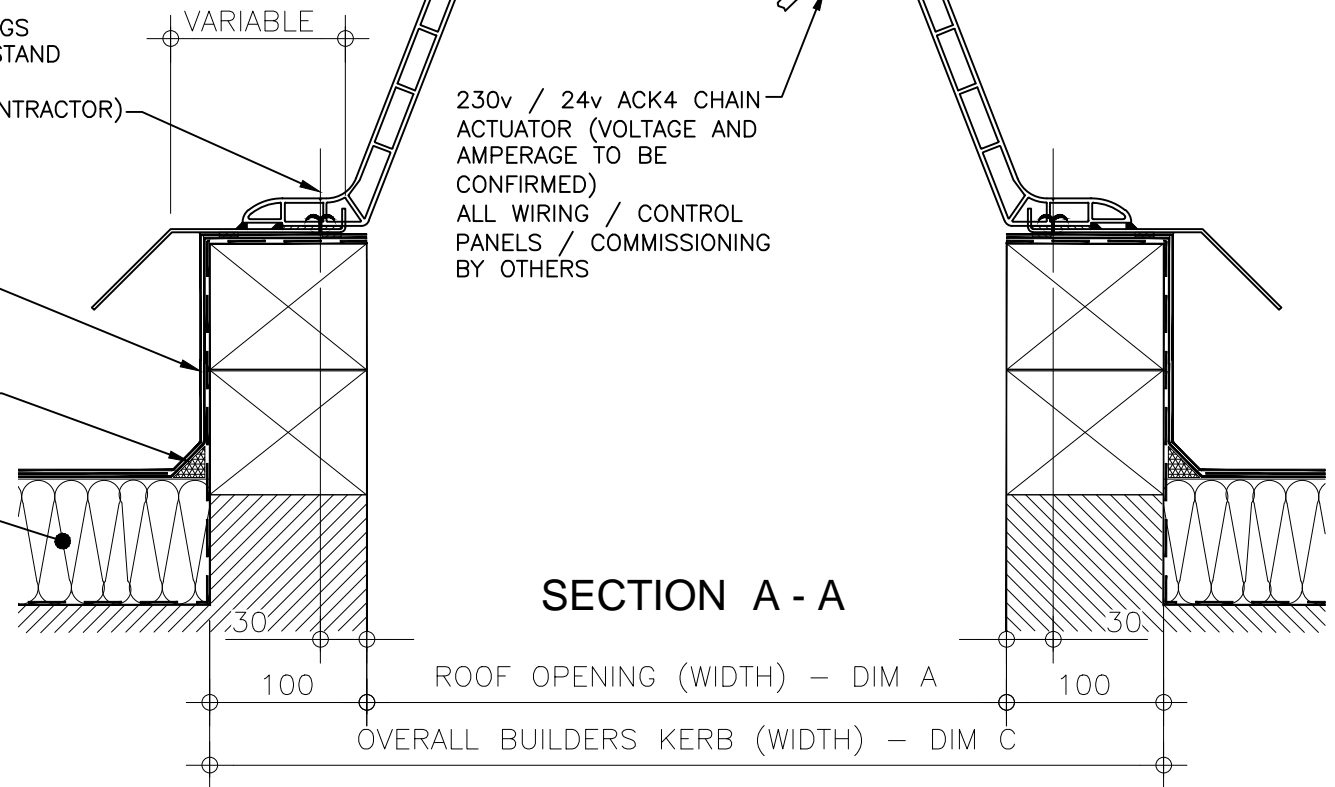
FIXING POINT (FIXINGS DEPENDANT OF UPSTAND SUBSTRATE, TO BE DETERMINED BY CONTRACTOR)

230v / 24v ACK4 CHAIN ACTUATOR (VOLTAGE AND AMPERAGE TO BE CONFIRMED)
 ALL WIRING / CONTROL PANELS / COMMISSIONING BY OTHERS

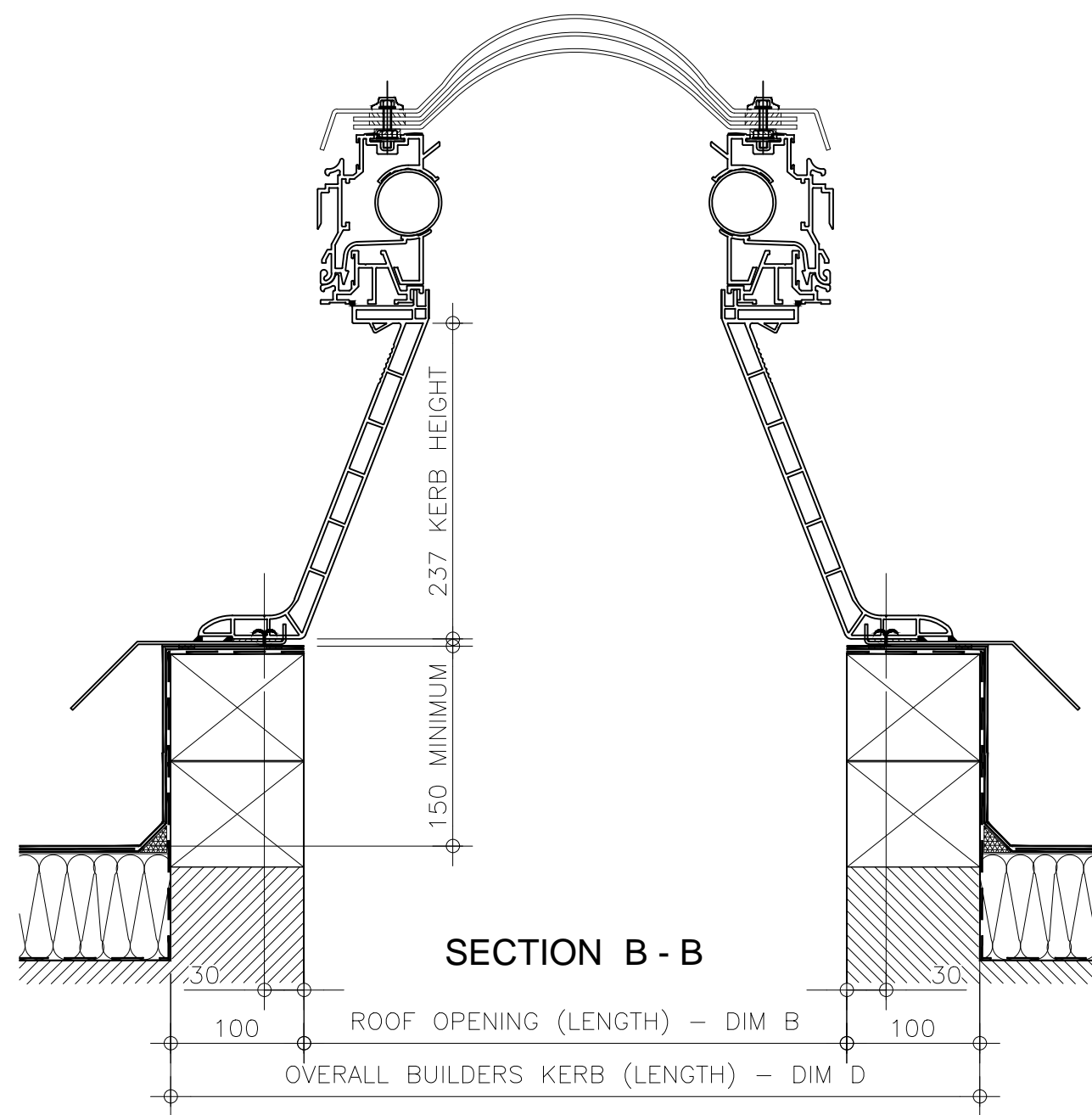
ROOF FINISHES BY OTHERS

FILLET BY OTHERS

ROOF INSULATION BY OTHERS



SECTION A - A



SECTION B - B

REV:	DATE:	DESCRIPTION:	DRN BY	DESCRIPTION:				
0	19.12.13	New modular drawings released	IW	uPVC upstand with adaptor base kerb complete with rotary and electrically operated vents, triple skin polycarbonate dome with standard security screws.				
DRAWN BY:		CREATION DATE:		CHECKED BY:		SCALE(S)		REVISION:
IW		19-Dec-13		----		1:5 @ A3		0
Xtralite (Rooflights) Limited Spencer Road, Blyth Industrial Estate, Blyth, Northumberland, NE24 5TG T:01670 354 157 F:01670 364 875 E:sales@xtralite.co.uk W:www.xtralite.co.uk								DRG No. XT-X1-A-0602-SS

