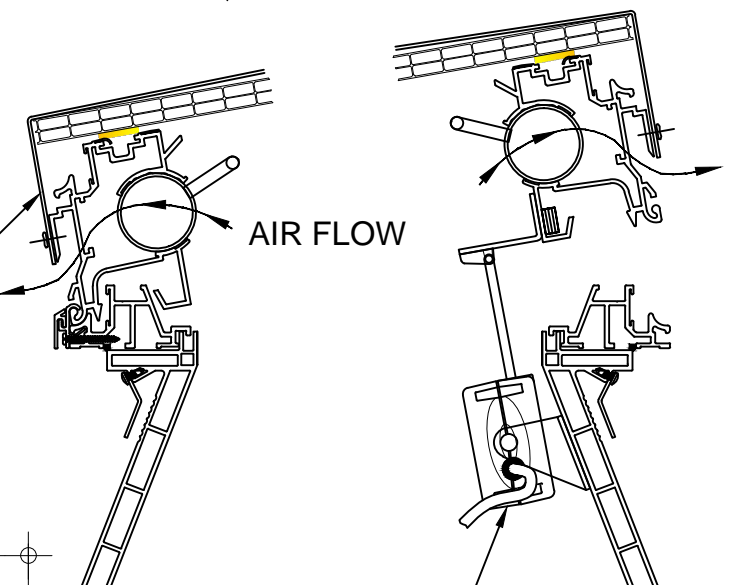


PLAN ON MODULAR ROOFLIGHT

Kerb Specification:
 X2 kerb constructed from self finish white uPVC

Typical Glazing Specification:
 2mm thick polyester powder coated aluminium with 16mm structured polycarbonate internal liner



AIR FLOW

INSULATED ALUMINIUM LID POP RIVETED TO X2 KERB

FIXING POINT (FIXINGS DEPENDANT OF UPSTAND SUBSTRATE, TO BE DETERMINED BY CONTRACTOR)

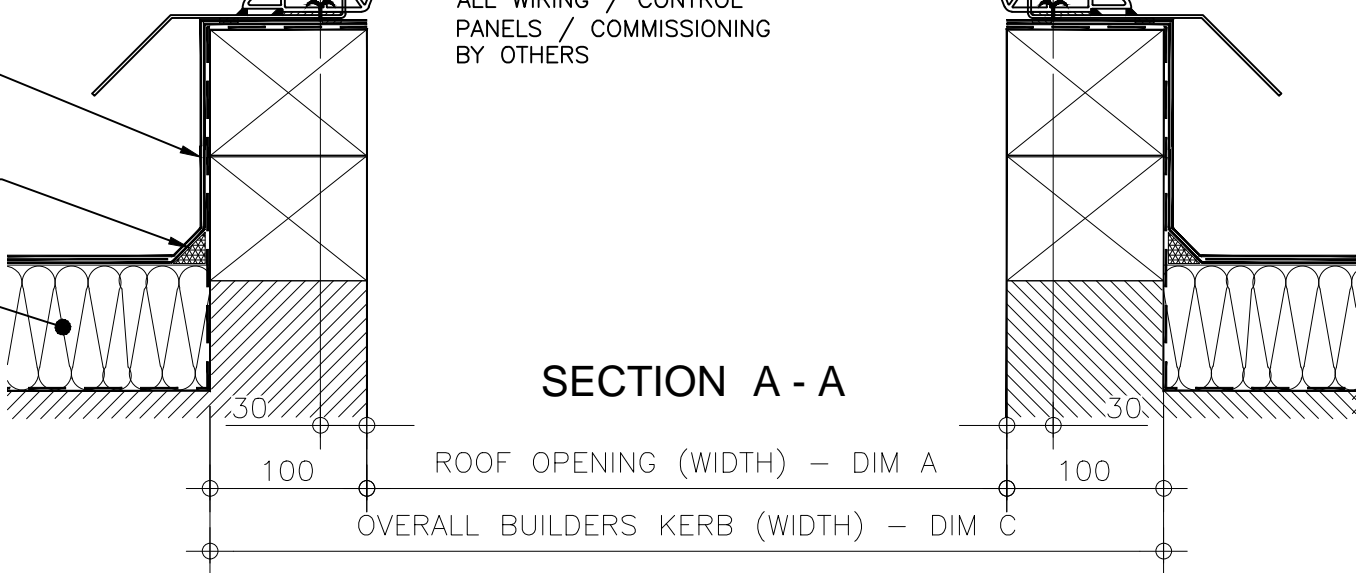
VARIABLE

230v / 24v ACK4 CHAIN ACTUATOR (VOLTAGE AND AMPERAGE TO BE CONFIRMED)
 ALL WIRING / CONTROL PANELS / COMMISSIONING BY OTHERS

ROOF FINISHES BY OTHERS

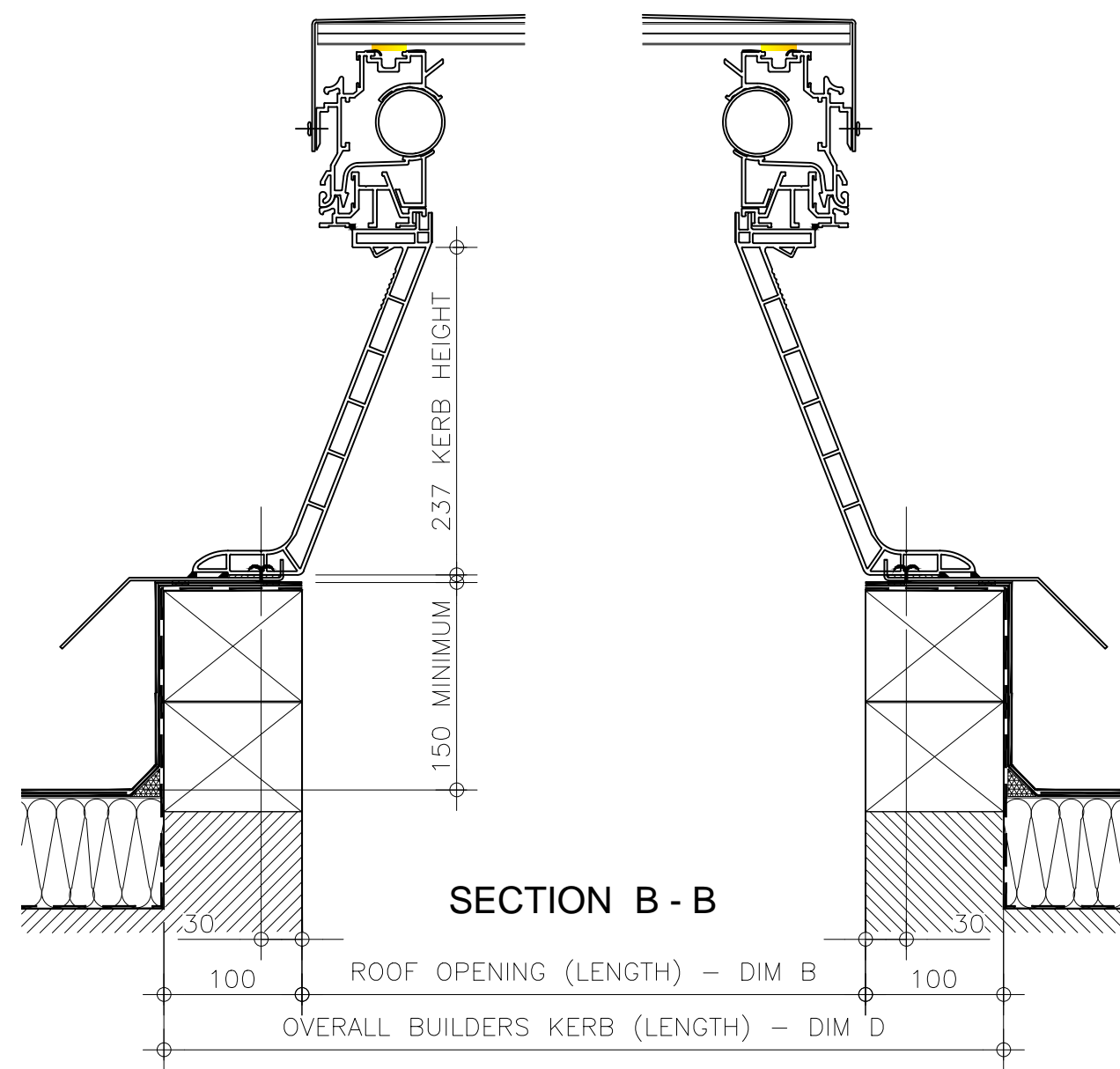
FILLET BY OTHERS

ROOF INSULATION BY OTHERS



SECTION A - A

ROOF OPENING (WIDTH) - DIM A
 OVERALL BUILDERS KERB (WIDTH) - DIM C



SECTION B - B

ROOF OPENING (LENGTH) - DIM B
 OVERALL BUILDERS KERB (LENGTH) - DIM D

REV:	DATE:	DESCRIPTION:	DRN BY:	DESCRIPTION:			
0	19.12.13	New modular drawings released	IW	uPVC upstand with adaptor base kerb complete with rotary and electrically operated vents, insulated solid lid.			
DRAWN BY:		CREATION DATE:	CHECKED BY:	SCALE(S)	REVISION:		
IW		19-Dec-13	----	1:5 @ A3	0		
Xtralite (Rooflights) Limited Spencer Road, Blyth Industrial Estate, Blyth, Northumberland, NE24 5TG T:01670 354 157 F:01670 364 875 E:sales@xtralite.co.uk W:www.xtralite.co.uk							DRG No. XT-X1-A-0602-ISL

